



# PARTS CATALOG

---

HEAVY-DUTY WHEEL-END SOLUTIONS



### **Ordering and Customer Service**

Toll-free: 1-855-244-SBSB (7272)  
orderdesk@silverbackhd.com

### **Tech Support**

Toll-free: 1-855-848-TECH (8324)  
tech.support@silverbackhd.com

### **Cross Reference Tool**

Visit [www.SilverbackHD.com](http://www.SilverbackHD.com) for dynamic search and instructional videos.



# TWO CATEGORY-LEADING BRANDS SHARING ONE MISSION: KEEPING YOU ON THE ROAD.

SilverbackHD Inc. manufactures high-quality brake and suspension wheel-end components for Class 6, 7, and 8 commercial vehicles and their heavy-duty trailers.

Whether you require the elite precision of **SilverbackHD** or the unbeatable value of **Wisdom**, we provide best-in-class parts to drive your success.

Regardless of the brand you select, you'll benefit from the SilverbackHD Advantage – a long-standing commitment to customer-focused values that has driven us since our inception in 2001.



**OUTPERFORM  
OUTLAST  
OUTCLASS**



## THE SILVERBACKHD ADVANTAGE

### First-Class Service

- Immediate field and tech support
- Great fill rate, fast order shipment

### Hassle-Free Experience

- No cores
- Easy part identification
- Minimum SKU count
- Maximum application coverage
- Attractive and safe packaging

### The Right Parts, Every Time

- Two expertly-crafted brands to power your operations

**SILVERBACK<sup>HD</sup>** OUTPERFORM  
OUTLAST  
OUTCLASS

Premium engineered products that  
deliver high performance and long life.

---



---

**WISDOM<sup>®</sup>**  
RELIABLE • REASONABLE

Proven reliability at a value price.



## BRAKE PRODUCTS

<b>Air Disc Brakes .....</b>	<b>5</b>
Air Disc Calipers .....	5
Air Disc Chambers.....	13
Air Disc Pads .....	17
Air Disc Rotors.....	25
Air Disc Quick Reference .....	29
<b>Air Drum Brakes.....</b>	<b>33</b>
Air Drum Chambers .....	33
Brake Hardware Kits.....	39
Brake Wheel Kits .....	43
Brake Drums.....	51
Camshafts .....	55
Cam Repair Kits.....	61
Slack Adjusters .....	67
<b>Hydraulic Disc Brakes .....</b>	<b>73</b>
Hydraulic Disc Calipers .....	73
Hydraulic Disc Pads .....	77
Hydraulic Disc Rotors.....	81
Hydraulic Disc Quick Reference .....	85
<b>Parking Brakes .....</b>	<b>87</b>
Parking Brake Shoe Kits.....	87

## SUSPENSION PRODUCTS

Air Springs.....	91
------------------	----

## INDEX

Numerical Parts Listing.....	113
------------------------------	-----

---

Visit [www.SilverbackHD.com](http://www.SilverbackHD.com) for full product availability, dynamic search, and instructional videos.





**SILVERBACK**® OUTPERFORM  
OUTLAST  
OUTCLASS

- ✓ No cores!
- ✓ Wide range of applications
- ✓ Complete with carriers/push plates
- ✓ Most applications complete with fasteners
- ✓ Bolt kits also sold separately
- ✓ Up to 5-year warranty

---

# AIR DISC CALIPERS

---



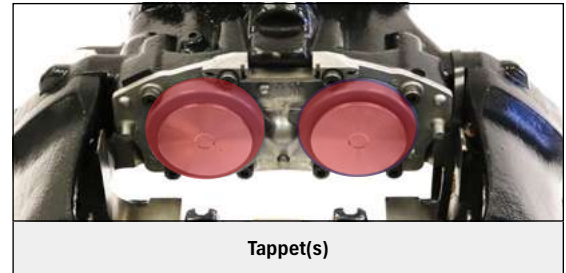
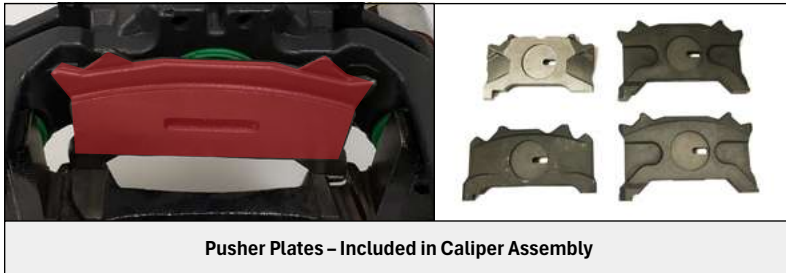
**WISDOM**®  
RELIABLE · REASONABLE

- ✓ No cores!
- ✓ 1-year warranty

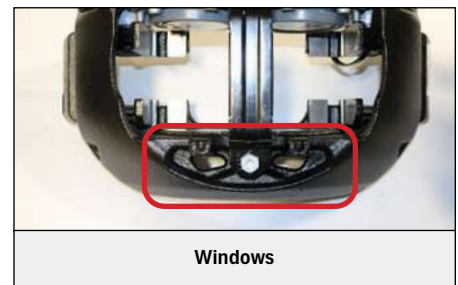
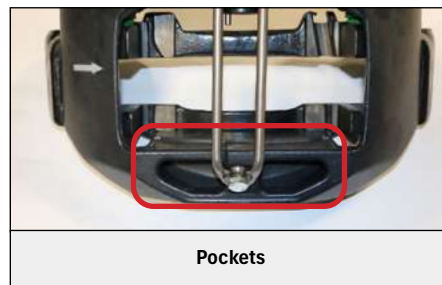
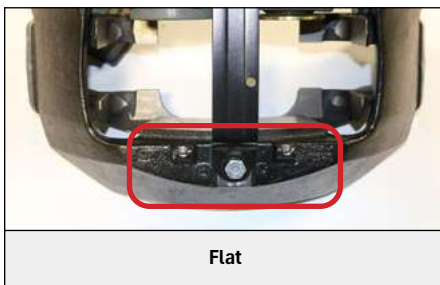


# AIR DISC CALIPERS

## A. Identify the adjustment design.



## B. Identify the bridge style.



## C. Identify the pad retainer style.


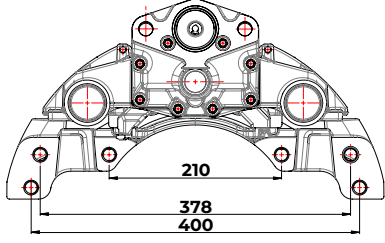


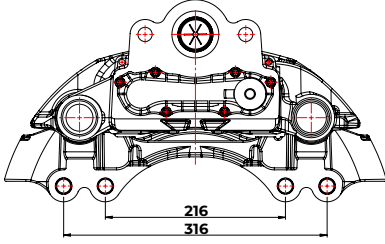


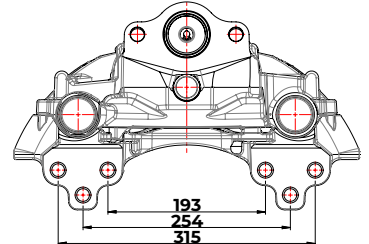


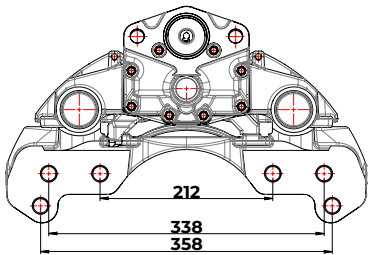


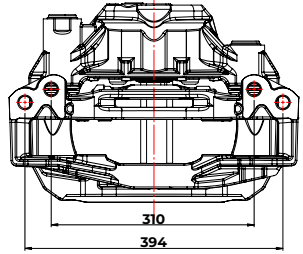


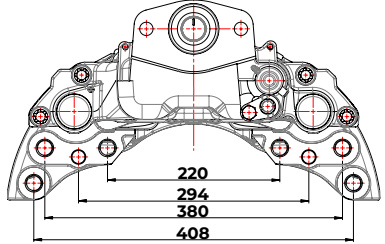



## D. Identify the pad FMSI number.


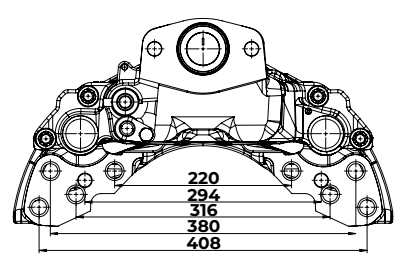


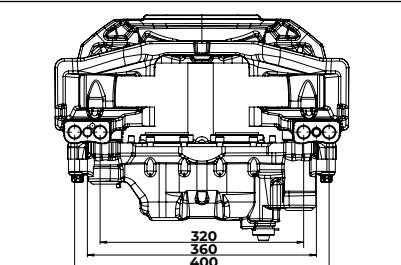


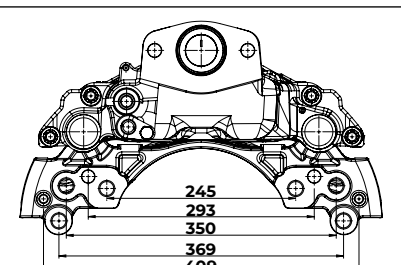


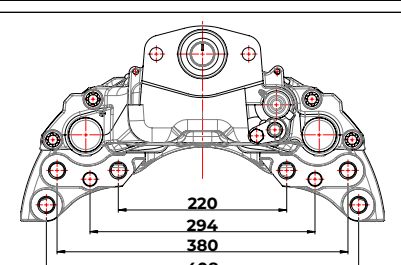


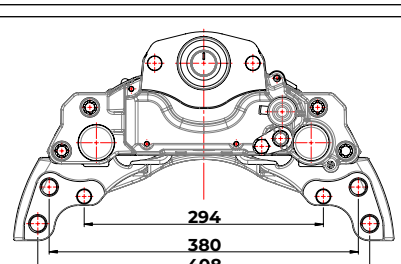


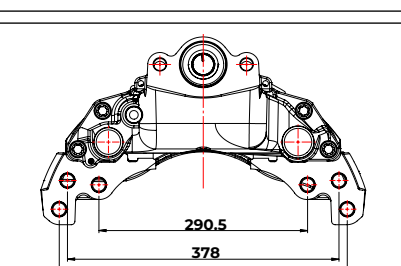

## E. Identify the location of caliper.

## F. Refer to pictures and diagrams (mm) on the following pages for more details.


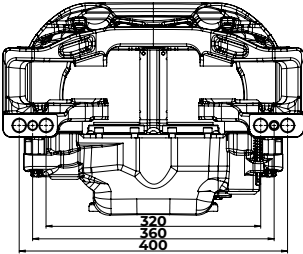


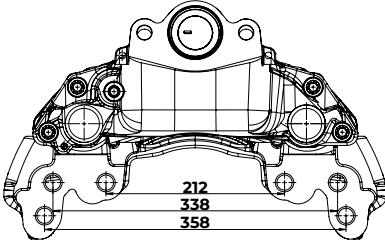

Part #s	Photo	Dimensions	Bolt Kit (only included with SilverbackHD, where applicable)
SilverbackHD			
Wisdom			
01AC2341X, 01AC2342X			
01AC2341XW, 01AC2342XW			
10AC9957X, 10AC9958X			
10AC9957XW, 10AC9958XW			
10AC9961X, 10AC9962X			
10AC9961XW, 10AC9962XW			
14AC9714X, 14AC9715X <i>replaces 11AC3887X/1AC3888X</i>			
14AC9714XW, 14AC9715XW			
40AC175072, 40AC175073			
40AC175072W, 40AC175073W			
40AC195037, 40AC195038			
40AC195037W, 40AC195038W			

Part #s	Photo	Dimensions	Bolt Kit (only included with SilverbackHD, where applicable)
SilverbackHD			
Wisdom			
40AC225015, 40AC225016			 HKPAN19221
40AC225015W, 40AC225016W			
51AC830052, 51AC830053			 HKSK75T7
51AC830052W, 51AC830053W			
64AC02220070, 64AC02220080			 HKMAXX22T
64AC02220070W, 64AC02220080W			
64AC02250800, 64AC02250810			 HKADB22XH
64AC02250800W, 64AC02250810W			
64AC03220650, 64AC03220660			 HKH225286
64AC03220650W, 64AC03220660W			
EXAC225H201X, EXAC225H202X			 HKMERFHFLA, HKMERFFFG <sup>B</sup> , HKH225206C <sup>C</sup>
EXAC225H201XW, EXAC225H202XW			

Bolt lengths available: A. 55mm B. 60mm, C. 75mm

Part #s	Photo	Dimensions	Bolt Kit (only included with SilverbackHD, where applicable)
SilverbackHD			
Wisdom			
EXAC225H205X, EXAC225H206X		 220 294 316 380 408	  HKMERFHFL <sup>A</sup> , HKMERFFFG <sup>B</sup> , HKH225206 <sup>C</sup>
EXAC225H205XW, EXAC225H206XW			
EXAC225H225X, EXAC225H226X		 320 360 400	  HKH225226
EXAC225H225XW, EXAC225H226XW			
EXAC225H227X, EXAC225H228X		 245 293 350 369 409	  HKH227228
EXAC225H227XW, EXAC225H228XW			
EXAC225H301X, EXAC225H302X		 220 294 380 408	  HKMERFHFL <sup>A</sup> , HKMERFFFG <sup>B</sup> , HKH225206 <sup>C</sup>
EXAC225H301XW, EXAC225H302XW			
EXAC225L201X, EXAC225L202X		 294 380 408	  HKH227228
EXAC225L201XW, EXAC225L202XW			
EXAC225L261X, EXAC225L262X		 290.5 378 401	  HKADB22XH
EXAC225L261XW, EXAC225L262XW			

Bolt lengths available: A. 55mm B. 60mm, C. 75mm

Part #s	Photo	Dimensions	Bolt Kit (only included with SilverbackHD, where applicable)
SilverbackHD			
Wisdom			
EXAC225L269X, EXAC225L270X			 HKH225206
EXAC225L269XW, EXAC225L270XW			
EXAC225L271X, EXAC225L272X			 HKH227228
EXAC225L271XW, EXAC225L272XW			

Other Available SilverbackHD Caliper Hardware Kits		
		
HK803GP114 Guide Pin Kit	HK802TB119 Tappet/Boot Kit	HKD1369-SN Shear nuts

**G. Use the chart to find the correct air disc caliper.**

A	B	C	D	E	F	SilverbackHD Part #	Wisdom Part #
Adjustment Design	Bridge Style	Pad Retainer Style	FMSI	Location of Caliper	Notes		
Pusher Plate	Pocket	Rolled Bar	D1518	Left (Driver)	PAN17 Style	40AC175072	40AC175072W
Pusher Plate	Pocket	Rolled Bar	D1518	Right (Passenger)	PAN17 Style	40AC175073	40AC175073W
Pusher Plate	Pocket	Rolled Bar	D1438	Left (Driver)	PAN19 Style	40AC195037	40AC195037W
Pusher Plate	Pocket	Rolled Bar	D1438	Right (Passenger)	PAN19 Style	40AC195038	40AC195038W
Pusher Plate	Pocket	Rolled Bar	D1777	Left (Driver)	PAN22 IMT, Reyco, Ridewell, SAF Holand & AXN Styles	40AC225015	40AC225015W
Pusher Plate	Pocket	Rolled Bar	D1777	Right (Passenger)	PAN22 IMT, Reyco, Ridewell, SAF Holand & AXN Styles	40AC225016	40AC225016W
Pusher Plate	Pocket	Rolled Bar	D1777	Left (Driver)	MAXX22T Style	64AC02220070	64AC02220070W
Pusher Plate	Pocket	Rolled Bar	D1777	Right (Passenger)	MAXX22T Style	64AC02220080	64AC02220080W
Pusher Plate	Pocket	Rolled Bar	D1777	Left (Driver)	PAN22 Hendrickson & Meritor Styles	64AC02250800	64AC02250800W

<b>A</b>	<b>B</b>	<b>C</b>	<b>D</b>	<b>E</b>	<b>F</b>	<b>SilverbackHD Part #</b>	<b>Wisdom Part #</b>
<b>Adjustment Design</b>	<b>Bridge Style</b>	<b>Pad Retainer Style</b>	<b>FMSI</b>	<b>Location of Caliper</b>	<b>Notes</b>		
Pusher Plate	Pocket	Rolled Bar	D1777	Right (Passenger)	PAN22 Hendrickson & Meritor Styles	64AC02250810	64AC02250810W
Pusher Plate	Pocket	Rolled Bar	D2061	Left (Driver)	MAXXUS Style	64AC03220650	64AC03220650W
Pusher Plate	Pocket	Rolled Bar	D2061	Right (Passenger)	MAXXUS Style	64AC03220660	64AC03220660W
Two Tappets	Flat	Flat Plate Stepped	D1311	Right (Passenger)	EX225H 201 Style	EXAC225H201X	EXAC225H201XW
Two Tappets	Flat	Flat Plate Stepped	D1311	Left (Driver)	EX225H 202 Style	EXAC225H202X	EXAC225H202XW
Two Tappets	Flat	Flat Plate Stepped	D1311	Right (Passenger)	EX225H 205 Style	EXAC225H205X	EXAC225H205XW
Two Tappets	Flat	Flat Plate Stepped	D1311	Left (Driver)	EX225H 206 Style	EXAC225H206X	EXAC225H206XW
Two Tappets	Flat	Flat Plate Stepped	D1708	Left (Driver)	EX225H 225 Style	EXAC225H225X	EXAC225H225XW
Two Tappets	Flat	Flat Plate Stepped	D1708	Right (Passenger)	EX225H 226 Style	EXAC225H226X	EXAC225H226XW
Two Tappets	Flat	Flat Plate Stepped	D1708	Left (Driver)	EX225H 227 Style	EXAC225H227X	EXAC225H227XW
Two Tappets	Flat	Flat Plate Stepped	D1708	Right (Passenger)	EX225H 228 Style	EXAC225H228X	EXAC225H228XW
Two Tappets	Flat	Flat Plate Stepped	D1370	Right (Passenger)	EX225L 201 Style	EXAC225L201X	EXAC225L201XW
Two Tappets	Flat	Flat Plate Stepped	D1370	Left (Driver)	EX225L 202 Style	EXAC225L202X	EXAC225L202XW
Two Tappets	Pocket	Flat Plate Stepped	D1311	Right (Passenger)	EX225H 301 Style	EXAC225H301X	EXAC225H301XW
Two Tappets	Pocket	Flat Plate Stepped	D1311	Left (Driver)	EX225H 302 Style	EXAC225H302X	EXAC225H302XW
Two Tappets	Pocket	Formed Plate	D1369	Left P89 axle, Right C88 axle	Trailers SAF Holland SK7 Style	01AC2341X	01AC2341XW
Two Tappets	Pocket	Formed Plate	D1369	Right P89 axle, Left C88 axle	Trailers SAF Holland SK7 Style	01AC2342X	01AC2342XW
Two Tappets	Pocket	Formed Plate	D1369	Right (Passenger)	Freightliner Style	10AC9957X	10AC9957XW
Two Tappets	Pocket	Formed Plate	D1369	Left (Driver)	Freightliner Style	10AC9958X	10AC9958XW
Two Tappets	Pocket	Formed Plate	D1369	Right (Passenger)	All trucks except Freightliner Style	10AC9961X	10AC9961XW
Two Tappets	Pocket	Formed Plate	D1369	Left (Driver)	All trucks except Freightliner Style	10AC9962X	10AC9962XW
Two Tappets	Pocket	Formed Plate	D1369	Right (Passenger)	Trailers	14AC9714X (Replace 11AC3887X)	14AC9714XW
Two Tappets	Pocket	Formed Plate	D1369	Left (Driver)	Trailers	14AC9715X (Replace 11AC3888X)	14AC9715XW
Two Tappets	Pocket	Formed Plate	D2252	Left (Driver)	Trailers SAF Holland ST7 Style	51AC830052	51AC830052W
Two Tappets	Pocket	Formed Plate	D2252	Right (Passenger)	Trailers SAF Holland ST7 Style	51AC830053	51AC830053W
Two Tappets	Windows	Flat Plate Stepped	D1370	Left (Driver)	EX225L 261 Style	EXAC225L261X	EXAC225L261XW
Two Tappets	Windows	Flat Plate Stepped	D1370	Right (Passenger)	EX225L 262 Style	EXAC225L262X	EXAC225L262XW
Two Tappets	Windows	Flat Plate Stepped	D1370	Left (Driver)	EX225L 269 Style	EXAC225L269X	EXAC225L269XW
Two Tappets	Windows	Flat Plate Stepped	D1370	Right (Passenger)	EX225L 270 Style	EXAC225L270X	EXAC225L270XW
Two Tappets	Windows	Flat Plate Stepped	D1370	Left (Driver)	EX225L 271 Style	EXAC225L271X	EXAC225L271XW
Two Tappets	Windows	Flat Plate Stepped	D1370	Right (Passenger)	EX225L 272 Style	EXAC225L272X	EXAC225L272XW

---

# AIR DISC CHAMBERS

---



OUTPERFORM  
OUTLAST  
OUTCLASS

- ✓ Exceeds 1 million test cycles
- ✓ Premium-grade diaphragms
- ✓ Single unit fits both sides
- ✓ E-coated and zinc-plated





# AIR DISC CHAMBERS

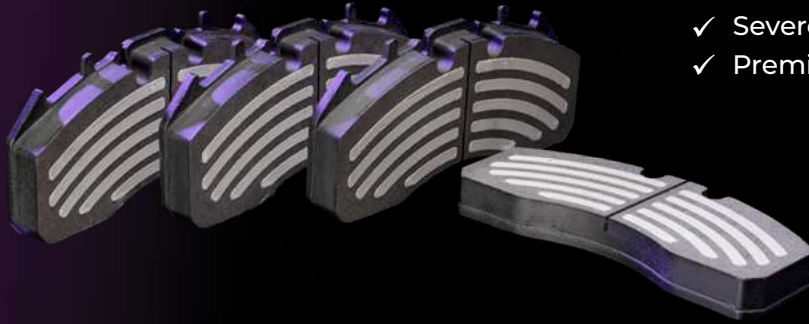
Diaphragm: Single or Double	Pushrod Type	Clamp(s) OD: Closest to Mounting Studs	Clamp(s) OD: Farthest from Mounting Studs	Ports Shape	Notes	SilverbackHD Part #
Double	Non-Threaded	6.25"	7.28"	Round	Air Disc Brake Complete	1624ADSB
Double	Non-Threaded	6.69"	7.28"	Round	Air Disc Brake Complete	1824ADSB
Double	Non-Threaded	6.89"	7.32"	Round	Air Disc Brake Complete	2024ADSB
Double	Non-Threaded	7.48"	7.32"	Round	Air Disc Brake Complete	2424ADSB
Single	Non-Threaded	6.25"	N/A	Round	Air Disc Service Chamber	16ADSC
Single	Non-Threaded	6.69"	N/A	Round	Air Disc Service Chamber	18ADSC
Single	Non-Threaded	6.89"	N/A	Round	Air Disc Service Chamber	20ADSC
Single	Non-Threaded	7.48"	N/A	Round	Air Disc Service Chamber	24ADSC



**SILVERBACK<sup>HD</sup>**

OUTPERFORM  
OUTLAST  
OUTCLASS

- ✓ 14,000-ft-lb torque for fast, safe stops
- ✓ 22% shorter stopping distance vs. RSD
- ✓ Less pad and rotor wear vs. industry average
- ✓ Severe duty also available
- ✓ Premium hardware included



---

# AIR DISC PADS

---

**WISDOM<sup>®</sup>**  
RELIABLE • REASONABLE

- ✓ Rated 23K axle load







# AIR DISC PADS

- A. Measure the overall length of the backing plate.**
- B. Measure the overall height of the steel plate.**
- C. Identify the backing plate design using pictures.**

<b>A</b>	<b>B</b>	<b>Application</b>	<b>SilverbackHD Part # (SD: Severe Duty)</b>	<b>Wisdom Part #</b>
<b>Overall Length</b>	<b>Overall Height</b>			
175.5mm (6.91")	85.9mm (3.38")	Wabco PAN17 Style	D1518-8727, D1518-8727SD	D1518-8727SM
208.3mm (8.20")	108.56mm (4.27")	Wabco MAXXUS L 2.0 Style	D2588-9816, D2588-9816SD	D2588-9816SM
210mm (8.27")	93.8mm (3.70")	Haldex Midland Style	D1583-8795, D1583-8795SD	D1583-8795SM
210.3mm (8.28")	92.7mm (3.65")	Wabco PAN19 Style	D1438-8556, D1438-8556SD	D1438-8556SM
210.3mm (8.28")	107.7mm (4.24")	Bendix ADB22X Style	D1369-8479, D1369-8479SD, D1369-8479SDHW	D1369-8479SM
210.3mm (8.28")	108mm (4.25")	Wabco MAXXUS Style	D2061-9294	D2061-9294SM
210.3mm (8.28")	109.7mm (4.32")	Wabco PAN22 / MAXX 22T Styles	D1777-9007, D1777-9007SD	D1777-9007SM
215mm (8.47")	111mm (4.37")	SAF Holland ST7 Style	D2252-9490, D2252-9490SD	D2252-9490SM
216.2mm (8.51")	96.85mm (3.81")	Meritor EX225L (Short) Style	D2421-9645, D2421-9645SD	D2421-9645SM
216.2mm (8.51")	111mm (4.37")	Meritor EX225L Style	D1370-8480, D1370-8480SD	D1370-8480SM
216.2mm (8.51")	111mm (4.37")	Meritor EX225L (Notched) Style	D2526-9757, D2526-9757SD	D2526-9757SM
247.1mm (9.73")	109.5mm (4.31")	Bendix SB7 and SN7 Styles	D1203-8323, D1203-8323SD	D1203-8323SM
249.4mm (9.82")	116.6mm (4.59")	Meritor EX225 Style	D1311-8426, D1311-8426SD	D1311-8426SM
249.7mm (9.83")	109.5mm (4.31")	Meritor ELSA 225-3 Style	D1708-8931, D1708-8931SD	D1708-8931SM

### D1518-8727, D1518-8727SD, D1518-8727SM

	Backing Plate Design	Friction Side	c/w Hardware Kit / HKD1518
<b>Overall Length</b> 175.5mm (6.91")			
<b>Overall Height</b> 85.9mm (3.38")			

### D2588-9816, D2588-9816SD, D2588-9816SM

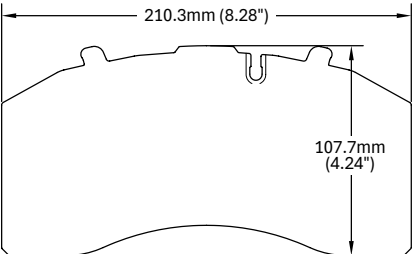
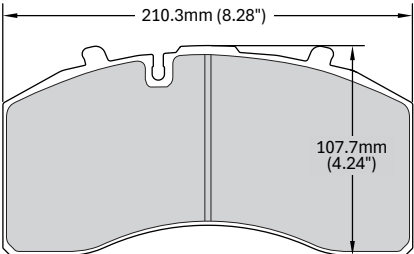

	Backing Plate Design	Friction Side	c/w Hardware Kit / HKD2588
<b>Overall Length</b> 208.3mm (8.20")			
<b>Overall Height</b> 108.56mm (4.27")			

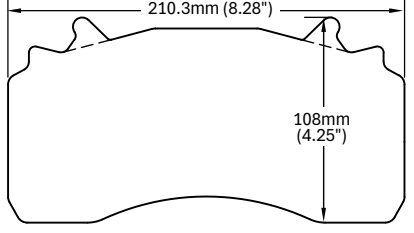
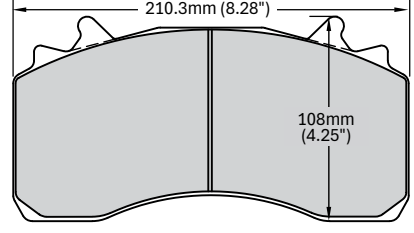

### D1583-8795, D1583-8795SD, D1583-8795SM

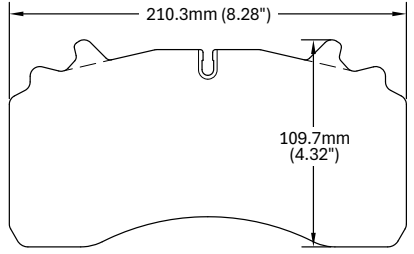
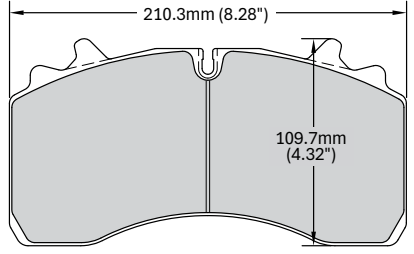

	Backing Plate Design	Friction Side	c/w Hardware Kit / HKD1583
<b>Overall Length</b> 210mm (8.27")			
<b>Overall Height</b> 93.8mm (3.70")			

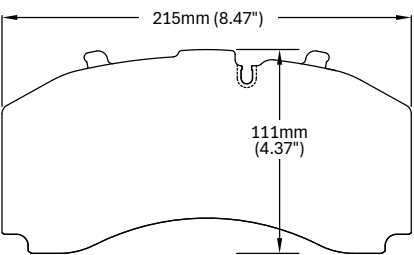
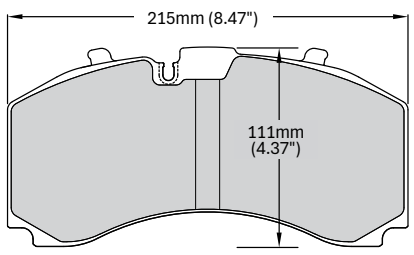

### D1438-8556, D1438-8556SD, D1438-8556SM

	Backing Plate Design	Friction Side	c/w Hardware Kit / HKD1438
<b>Overall Length</b> 210.3mm (8.28")			
<b>Overall Height</b> 92.7mm (3.65")			

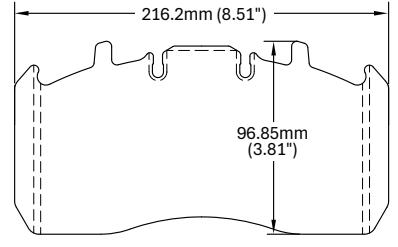
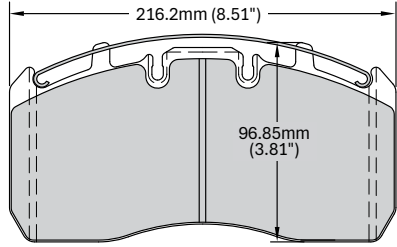

<b>D1369-8479, D1369-8479SD, D1369-8479SM, D1369-8479SDHW</b>			
	<b>Backing Plate Design</b>	<b>Friction Side</b>	<b>c/w Hardware Kit / HKD1369</b>
<b>Overall Length</b> 210.3mm (8.28")			
<b>Overall Height</b> 107.7mm (4.24")			

<b>D2061-9294, D2061-9294SM</b>			
	<b>Backing Plate Design</b>	<b>Friction Side</b>	<b>c/w Hardware Kit / HKD2061</b>
<b>Overall Length</b> 210.3mm (8.28")			
<b>Overall Height</b> 108mm (4.25")			

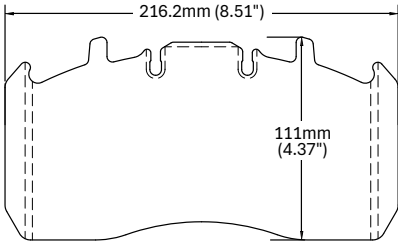
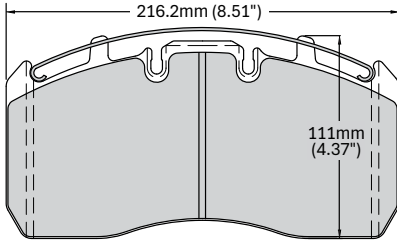

<b>D1777-9007, D1777-9007SD, D1777-9007SM</b>			
	<b>Backing Plate Design</b>	<b>Friction Side</b>	<b>c/w Hardware Kit / HKD1777</b>
<b>Overall Length</b> 210.3mm (8.28")			
<b>Overall Height</b> 109.7mm (4.32")			

<b>D2252-9490, D2252-9490SD, D2252-9490SM</b>			
	<b>Backing Plate Design</b>	<b>Friction Side</b>	<b>c/w Hardware Kit / HKD1369</b>
<b>Overall Length</b> 215mm (8.47")			
<b>Overall Height</b> 111mm (4.37")			

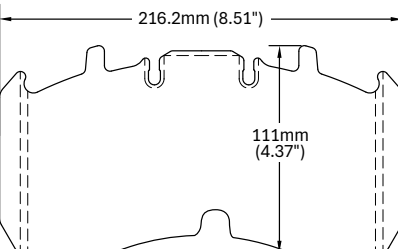
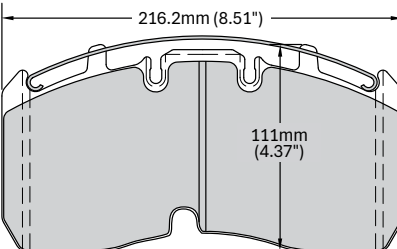

**D2421-9645, D2421-9645SD, D2421-9645SM**

	Backing Plate Design	Friction Side	c/w Hardware Kit / HKD1311
<b>Overall Length</b> 216.2mm (8.51")			
<b>Overall Height</b> 96.85mm (3.81")			

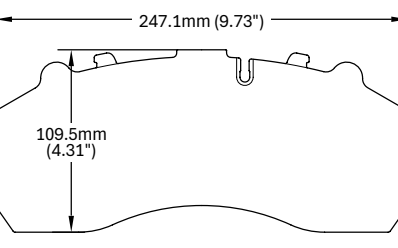
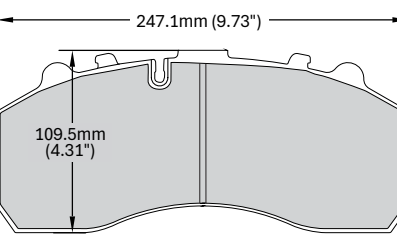

**D1370-8480, D1370-8480SD, D1370-8480SM**

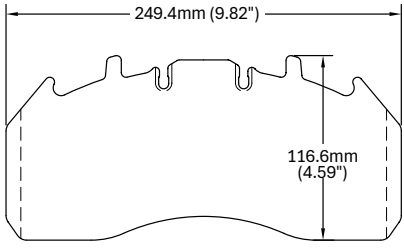
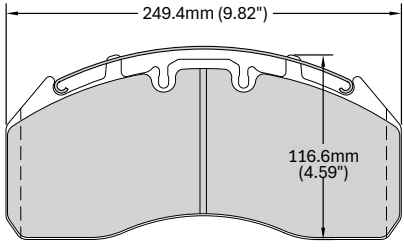

	Backing Plate Design	Friction Side	c/w Hardware Kit / HKD1311
<b>Overall Length</b> 216.2mm (8.51")			
<b>Overall Height</b> 111mm (4.37")			

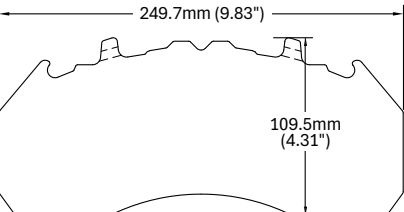
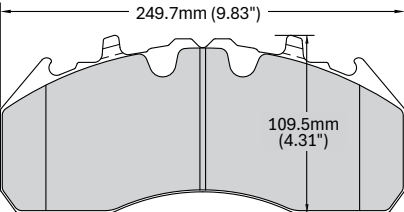

**D2526-9757, D2526-9757SD, D2526-9757SM**

	Backing Plate Design	Friction Side	c/w Hardware Kit / HKD1311
<b>Overall Length</b> 216.2mm (8.51")			
<b>Overall Height</b> 111mm (4.37")			

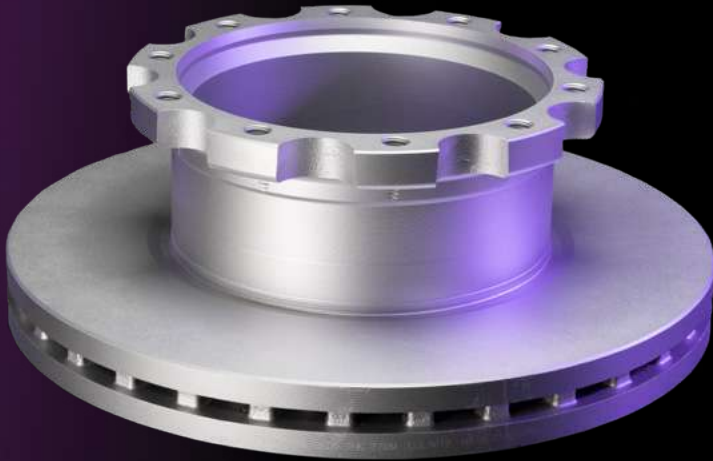
**D1203-8323, D1203-8323SD, D1203-8323SM**

	Backing Plate Design	Friction Side	c/w Hardware Kit / HKD1203
<b>Overall Length</b> 247.1mm (9.73")			
<b>Overall Height</b> 109.5mm (4.31")			

<b>D1311-8426, D1311-8426SD, D1311-8426SM</b>			
	<b>Backing Plate Design</b>	<b>Friction Side</b>	<b>c/w Hardware Kit / HKD1311</b>
<b>Overall Length</b> 249.4mm (9.82")			
<b>Overall Height</b> 116.6mm (4.59")			

<b>D1708-8931, D1708-8931SD, D1708-8931SM</b>			
	<b>Backing Plate Design</b>	<b>Friction Side</b>	<b>c/w Hardware Kit / HKD1311</b>
<b>Overall Length</b> 249.7mm (9.83")			
<b>Overall Height</b> 109.5mm (4.31")			





**SILVERBACK<sup>HD</sup>** OUTPERFORM  
OUTLAST  
OUTCLASS

- ✓ High-carbon grey iron provides excellent heat dissipation for longer brake life
- ✓ Precision mill-balanced
- ✓ Patented GEOMET<sup>®</sup> corrosion protection
- ✓ Complete hardware set included, where applicable

---

# AIR DISC ROTORS

---



**WISDOM<sup>®</sup>**  
RELIABLE · REASONABLE

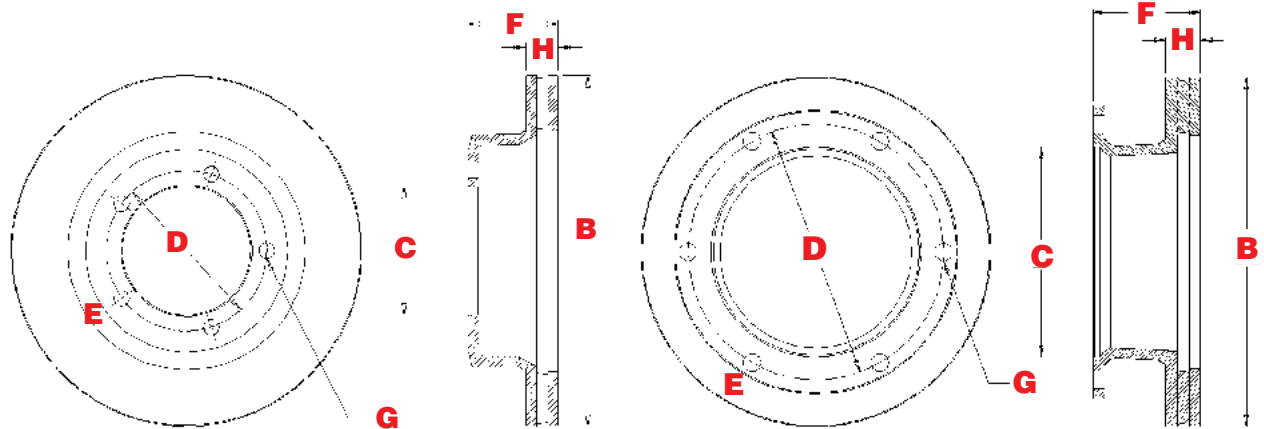
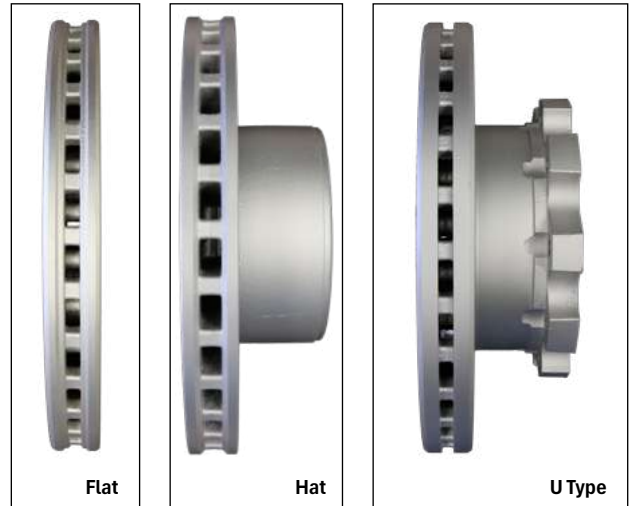
- ✓ Precision mill-balanced



# AIR DISC ROTORS

- A.** Identify the style: Flat, Hat or U Type.
- B.** Measure the overall diameter.
- C.** Measure the pilot diameter.
- A.** Measure the bolt circle diameter from centre of bolt holes.
- E.** Count the bolt holes.
- F.** Measure the overall depth.
- G.** Measure the bolt hole size.
- H.** Measure the thickness or see minimum thickness stamped or cast on rotor.

Lastly, note whether it has any features such as ABS rings or splined mounting.



A	B	C	D	E	F	G	H	Special Info.	SilverbackHD Part #	Wisdom Part #
Style	Overall Dia.	Pilot Dia.	Bolt Circle	Bolt Hole Qty.	Overall Depth	Bolt Hole Size.	Disc Thickness			
Flat	430.0mm (16.92")	178.0mm (7.01")	205.0mm (8.07")	10	57.4mm (2.26")	0.59"	45.0mm (1.77")	C/W 10 bolts and 10 flat washers	76AR626G	
Flat	430.0mm (16.92")	217.0mm (8.54")	230.0mm (9.06")	N/A	45.0mm (1.77")	Splined	45.0mm (1.77")	Hardware included	76AR692G	76AR692W
Hat	434.0mm (17.08")	135.3mm (5.32")	168.0mm (6.61") 178.0mm (7.00")	12 and 4	131.0mm (5.16")	18.9mm M16X2.0	45.0mm (1.77")		56AR641G	56AR641W
U	325.1mm (12.80")	173.0mm (6.81")	196.1mm (7.72")	8	148.6mm (5.85")	M14-2	34.0mm (1.34")	ABS cast teeth	75AR180G	75AR180W

A	B	C	D	E	F	G	H	Special Info.	SilverbackHD Part #	Wisdom Part #
Style	Overall Dia.	Pilot Dia.	Bolt Circle	Bolt Hole Qty.	Overall Depth	Bolt Hole Size.	Disc Thickness			
U	376.9mm (14.85")	220.0mm (8.66")	249.4mm (9.82")	10	149.9mm (5.90")	M16-2	45.0mm (1.77")	ABS cast teeth	71AR601G	71AR601W
U	430.0mm (16.92")	220.0mm (8.65")	249.4mm (9.82")	10	138.0mm (5.44")	5/8"UNC	45.0mm (1.77")		76AR618G	76AR618W
U	430.0mm (16.92")	220.0mm (8.65")	249.4mm (9.82")	10	150.0mm (5.91")	5/8"UNC	45.0mm (1.77")		76AR617G	76AR617W
U	430.0mm (16.92")	220.0mm (8.65")	249.4mm (9.82")	10	150.0mm (5.90")	M16-2	45.0mm (1.77")	ABS cast teeth	76AR613G	76AR613W
U	430.0mm (16.92")	328.7mm (12.94") OD	285.8mm (11.25")	10	159.5mm (6.28")	M16X1.5 R.H.	45.0mm (1.77")		10AR020109G	10AR020109W
U	434.0mm (17.08")	194.0mm (7.64")	249.4mm (9.82")	10	143.5mm (5.65")	M16X2-6	45.0mm (1.77")		76AR606G	76AR606W
U	434.0mm (17.08")	215.9mm (8.50")	266.7mm (10.50")	10	143.5mm (5.65")	5/8"-18UNF	45.0mm (1.77")		56AR642G	56AR642W
Flat	430mm (16.92")	167mm (6.56")	200mm (7.86")	10	53mm (2.09")	5/8"	45mm (1.77")	C/W ABS ring, lock ring and 10 nuts	76AR801G	76AR801W
U	415mm (16.34")	211mm (8.66")	249.5mm (9.82")	10	150mm (5.9")	M16-2	43mm (1.69")	C/W 10 bolts and 10 flat washers	76AR901G	76AR901W
U	415mm (16.34")	324mm (12.75")	285.8mm (11.25")	10	175mm (6.80")	0.982"	43mm (1.69")	C/W 10 studs 22mm X 110mm	41AR5332G	41AR5332W
Flat	430mm (16.92")	167mm (6.56")	200mm (7.86")	10	53mm (2.09")	0.66"	45mm (1.77")	Includes ABS rings for both steer and drive axles	10AR083733G	10AR083733W
Flat	434mm (17.08")	167mm (6.56")	200mm (7.86")	10	53mm (2.09")	0.66"	45mm (1.77")	Includes ABS rings for both steer and drive axles	10AR034621G	10AR034621W



# AIR DISC QUICK REFERENCE

Calipers				Chambers	Pad Sets		Rotors	
SilverbackHD Part # & Location	Wisdom Part # & Location	SilverbackHD Bolt Kit Part #*	Notes	SilverbackHD Part #	SilverbackHD Part #	Wisdom Part #	SilverbackHD Part #	Wisdom Part #
01AC2341X Left P89 axle Right C88 axle	01AC2341XW Left P89 axle Right C88 axle	HKSK7ST7	Trailers SAF Holland SK7 Style	1824ADSB	D1369-8479, D1369-8479SD, D1369-8479SDHW	D1369-8479SM	76AR626G	76AR626W
01AC2342X Right P89 axle Left C88 axle	01AC2342XW Right P89 axle Left C88 axle	HKSK7ST7	Trailers SAF Holland SK7 Style	1824ADSB	D1369-8479, D1369-8479SD, D1369-8479SDHW	D1369-8479SM	76AR626G	76AR626W
10AC9957X Right	10AC9957XW Right	HKADB22XV	Freightliner Style	1824ADSB, 18ADSC	D1369-8479, D1369-8479SD, D1369-8479SDHW	D1369-8479SM	76AR617G, 76AR618G, 76AR692G	76AR617W, 76AR618W, 76AR692W
10AC9958X Left	10AC9958XW Left	HKADB22XV	Freightliner Style	1824ADSB, 18ADSC	D1369-8479, D1369-8479SD, D1369-8479SDHW	D1369-8479SM	76AR617G, 76AR618G, 76AR692G	76AR617W, 76AR618W, 76AR692W
10AC9961X Right	10AC9961XW Right	HKADB22XH	All trucks except Freightliner Style	1824ADSB, 18ADSC	D1369-8479, D1369-8479SD, D1369-8479SDHW	D1369-8479SM	76AR617G, 76AR618G, 76AR692G	76AR617W, 76AR618W, 76AR692W
10AC9962X Left	10AC9962XW Left	HKADB22XH	All trucks except Freightliner Style	1824ADSB, 18ADSC	D1369-8479, D1369-8479SD, D1369-8479SDHW	D1369-8479SM	76AR617G, 76AR618G, 76AR692G	76AR617W, 76AR618W, 76AR692W
14AC9714X (old 11AC3887X) Right	14AC9714XW	HKADB22XH	Trailers	1824ADSB, 18ADSC	D1369-8479, D1369-8479SD, D1369-8479SDHW	D1369-8479SM	76AR617G, 76AR618G, 76AR692G	76AR617W, 76AR618W, 76AR692W
14AC9715X (old 11AC3888X) Left	14AC9715XW	HKADB22XH	Trailers	1824ADSB, 18ADSC	D1369-8479, D1369-8479SD, D1369-8479SDHW	D1369-8479SM	76AR617G, 76AR618G, 76AR692G	76AR617W, 76AR618W, 76AR692W
40AC175072 Left	40AC175072W Left	HKPAN17	Trailer PAN17 Style	2024ADSB, 20ADSC	D1518-8727, D1518-8727SD	D1518-8727SM	75AR180G	75AR180W
40AC175073 Right	40AC175073W Right	HKPAN17	Trailer PAN17 Style	2024ADSB, 20ADSC	D1518-8727, D1518-8727SD	D1518-8727SM	75AR180G	75AR180W
40AC195037 Left	40AC195037W Left	HKPAN1922I	PAN19 Style – Trailers	1624ADSB, 16ADSC	D1438-8556, D1438-8556SD	D1438-8556SM	71AR601G	71AR601W
40AC195038 Right	40AC195038W Right	HKPAN1922I	PAN19 Style – Trailers	1624ADSB, 16ADSC	D1438-8556, D1438-8556SD	D1438-8556SM	71AR601G	71AR601W
40AC225015 Left	40AC225015W Left	HKPAN1922I	PAN22 Style – IMT, Reyco, Ridewell, SAF Holland & AXN Styles, Trailers	2024ADSB, 20ADSC	D1777-9007, D1777-9007SD	D1777-9007SM	76AR613G, 76AR801G	76AR613W, 76AR801W
40AC225016 Right	40AC225016W Right	HKPAN1922I	PAN22 Style – IMT, Reyco, Ridewell, SAF Holland & AXN Styles, Trailers	2024ADSC, 20ADSC	D1777-9007, D1777-9007SD	D1777-9007SM	76AR613G, 76AR801G	76AR613W, 76AR801W
51AC830052 Left	51AC830052W Left	HKSK7ST7	SAF Holland ST7 – Trailers	1624ADSB, 1824ADSB	D2252-9490, D2252-9490SD	D2252-9490SM	76AR626G	76AR626W
51AC830053 Right	51AC830053W Right	HKSK7ST7	SAF Holland ST7 – Trailers	1624ADSB, 1824ADSB	D2252-9490, D2252-9490SD	D2252-9490SM	76AR626G	76AR626W
64AC02220070 Left	64AC02220070W Left	HKMAXX22T	MAXX22T Style – Trailers	1824ADSB, 2024ADSB	D1777-9007, D1777-9007SD	D1777-9007SM	76AR901G, 41AR5332G	76AR901W

\*Bolt kits are included with SilverbackHD Air Disc Calipers (where applicable) and are also sold separately.

Calipers				Chambers	Pad Sets		Rotors	
SilverbackHD Part # & Location	Wisdom Part # & Location	SilverbackHD Bolt Kit Part #*	Notes	SilverbackHD Part #	SilverbackHD Part #	Wisdom Part #	SilverbackHD Part #	Wisdom Part #
64AC02220080 <i>Right</i>	64AC02220080W <i>Right</i>	HKMAXX22T	MAXX22T Style – Trailers	1824ADSB, 2024ADSB	D1777-9007, D1777-9007SD	D1777-9007SM	76AR901G, 41AR5332G	76AR901W
64AC02250800 <i>Left</i>	64AC02250800W <i>Left</i>	HKADB22XH	PAN22 Style – Hendrickson & Meritor Styles, Trailers	20ADSC, 2024ADSB	D1777-9007, D1777-9007SD	D1777-9007SM	76AR613G, 76AR801G	76AR613W, 76AR801G
64AC02250810 <i>Right</i>	64AC02250810W <i>Right</i>	HKADB22XH	PAN22 Style – Hendrickson & Meritor Styles, Trailers	20ADSC, 2024ADSB	D1777-9007, D1777-9007SD	D1777-9007SM	76AR613G, 76AR801G	76AR613W, 76AR801G
64AC03220650 <i>Left</i>	64AC03220650W <i>Left</i>	HKH225286	Freightliner MAXXUS Style	18ADSC, 1824ADSB, 2024ADSB	D2061-9294	D2061-9294SM	10AR020109G	10AR020109W
64AC03220660 <i>Right</i>	64AC03220660W <i>Right</i>	HKH225286	Freightliner MAXXUS Style	18ADSC, 1824ADSB, 2024ADSB	D2061-9294	D2061-9294SM	10AR020109G	10AR020109W
EXAC225H201X <i>Right</i>	EXAC225H201XW <i>Right</i>	HKH225206, HKMERFFFG, HKMERFHFL	EX225H 201 Style – Transit	Varies – check with OEM	D1311-8426, D1311-8426SD	D1311-8426SM	56AR641G, 56AR642G, 76AR606G	56AR641W, 56AR642W, 76AR606W
EXAC225H202X <i>Left</i>	EXAC225H202XW <i>Left</i>	HKH225206, HKMERFFFG, HKMERFHFL	EX225H 202 Style – Transit	Varies – check with OEM	D1311-8426, D1311-8426SD	D1311-8426SM	56AR641G, 56AR642G, 76AR606G	56AR641W, 56AR642W, 76AR606W
EXAC225H205X <i>Right</i>	EXAC225H205XW <i>Right</i>	HKH225206, HKMERFFFG, HKMERFHFL	EX225H 205 Style – International HV, Transit, Waste	Varies – check with OEM	D1311-8426, D1311-8426SD	D1311-8426SM	10AR020109G, 56AR641G, 56AR642G, 76AR606G	10AR020109W, 56AR641W, 56AR642W, 76AR606W
EXAC225H206X <i>Left</i>	EXAC225H206XW <i>Left</i>	HKH225206, HKMERFFFG, HKMERFHFL	EX225H 206 Style – International HV, Transit, Waste	Varies – check with OEM	D1311-8426, D1311-8426SD	D1311-8426SM	10AR020109G, 56AR641G, 56AR642G, 76AR606G	10AR020109W, 56AR641W, 56AR642W, 76AR606W
EXAC225H225X <i>Left</i>	EXAC225H225XW <i>Left</i>	HKH225226	EX225H 225 Style – Volvo/ Mack, Drive, Refuse	Varies – check with OEM	D1708-8931, D1708-8931SD	D1708-8931SM	56AR641G, 56AR642G, 76AR606G	56AR641W, 56AR642W, 76AR606W
EXAC225H226X <i>Right</i>	EXAC225H226XW <i>Right</i>	HKH225226	EX225H 226 Style – Volvo/ Mack, Drive, Refuse	Varies – check with OEM	D1708-8931, D1708-8931SD	D1708-8931SM	56AR641G, 56AR642G, 76AR606G	56AR641W, 56AR642W, 76AR606W
EXAC225H227X <i>Left</i>	EXAC225H227XW <i>Left</i>	HKH227228	EX225H 227 Style – Volvo/ Mack, Steer, Refuse	Varies – check with OEM	D1708-8931, D1708-8931SD	D1708-8931SM	56AR641G, 56AR642G, 76AR606G	56AR641W, 56AR642W, 76AR606W
EXAC225H228X <i>Right</i>	EXAC225H228XW <i>Right</i>	HKH227228	EX225H 228 Style – Volvo/ Mack, Steer, Refuse	Varies – check with OEM	D1708-8931, D1708-8931SD	D1708-8931SM	56AR641G, 56AR642G, 76AR606G	56AR641W, 56AR642W, 76AR606W
EXAC225H301X <i>Right</i>	EXAC225H301XW <i>Right</i>	HKH225206, HKMERFFFG, HKMERFHFL	EX225H 301 Style – Transit, Refuse	Varies – check with OEM	D1311-8426, D1311-8426SD	D1311-8426SM	56AR641G, 56AR642G, 76AR606G	56AR641W, 56AR642W, 76AR606W
EXAC225H302X <i>Left</i>	EXAC225H302XW <i>Left</i>	HKH225206, HKMERFFFG, HKMERFHFL	EX225H 302 Style – Transit, Refuse	Varies – check with OEM	D1311-8426, D1311-8426SD	D1311-8426SM	56AR641G, 56AR642G, 76AR606G	56AR641W, 56AR642W, 76AR606W
EXAC225L201X <i>Right</i>	EXAC225L201XW <i>Right</i>	HKH227228	EX225L 201 Style – Hendrickson Trailers (2009–2017)	18ADSC, 20ADSC, 1824ADSB, 2024ADSB	D1370-8480, D1370-8480SD	D1370-8480SM	76AR801G	76AR801W
EXAC225L202X <i>Left</i>	EXAC225L202XW <i>Left</i>	HKH227228	EX225L 202 Style – Hendrickson Trailers (2009–2017)	18ADSC, 20ADSC, 1824ADSB, 2024ADSB	D1370-8480, D1370-8480SD	D1370-8480SM	76AR801G	76AR801W

\*Bolt kits are included with SilverbackHD Air Disc Calipers (where applicable) and are also sold separately.

Calipers				Chambers	Pad Sets		Rotors	
SilverbackHD Part # & Location	Wisdom Part # & Location	SilverbackHD Bolt Kit Part #*	Notes	SilverbackHD Part #	SilverbackHD Part #	Wisdom Part #	SilverbackHD Part #	Wisdom Part #
EXAC225L261X <i>Left</i>	EXAC225L261XW <i>Left</i>	HKADB22XH	EX225L 261 Style – Freightliner Cascadia (2018–2025), Peterbilt	18ADSC, 20ADSC, 1824ADSB, 2024ADSB	D1370-8480, D1370-8480SD	D1370-8480SM	10AR083733G, includes ABS rings for both steer and drive axles	10AR083733W, includes ABS rings for both steer and drive axles
EXAC225L262X <i>Right</i>	EXAC225L262XW <i>Right</i>	HKADB22XH	EX225L 262 Style – Freightliner Cascadia (2018–2025), Peterbilt	18ADSC, 20ADSC, 1824ADSB, 2024ADSB	D1370-8480, D1370-8480SD	D1370-8480SM	10AR083733G, includes ABS rings for both steer and drive axles	10AR083733W, includes ABS rings for both steer and drive axles
EXAC225L269X <i>Left</i>	EXAC225L269XW <i>Left</i>	HKH225226	EX225L 269 Style – Volvo radial mount drive axles	18ADSC, 20ADSC, 1824ADSB, 2024ADSB	D1370-8480, D1370-8480SD	D1370-8480SM	10AR034621G, includes ABS rings for both steer and drive axles	10AR034621W, includes ABS rings for both steer and drive axles
EXAC225L270X <i>Right</i>	EXAC225L270XW <i>Right</i>	HKH225226	EX225L 270 Style – Volvo radial mount drive axles	18ADSC, 20ADSC, 1824ADSB, 2024ADSB	D1370-8480, D1370-8480SD	D1370-8480SM	10AR034621G, includes ABS rings for both steer and drive axles	10AR034621W, includes ABS rings for both steer and drive axles
EXAC225L271X <i>Left</i>	EXAC225L271XW <i>Left</i>	HKH227228	EX225L 271 Style – Hyundai Translead Trailers	1824ADSB, 2024ADSB	D1370-8480, D1370-8480SD	D1370-8480SM	76AR801G	76AR801W
EXAC225L272X <i>Right</i>	EXAC225L272XW <i>Right</i>	HKH227228	EX225L 272 Style – Hyundai Translead Trailers	1824ADSB, 2024ADSB	D1370-8480, D1370-8480SD	D1370-8480SM	76AR801G	76AR801W

\*Bolt kits are included with SilverbackHD Air Disc Calipers (where applicable) and are also sold separately.



**SILVERBACK**®  
OUTPERFORM  
OUTLAST  
OUTCLASS

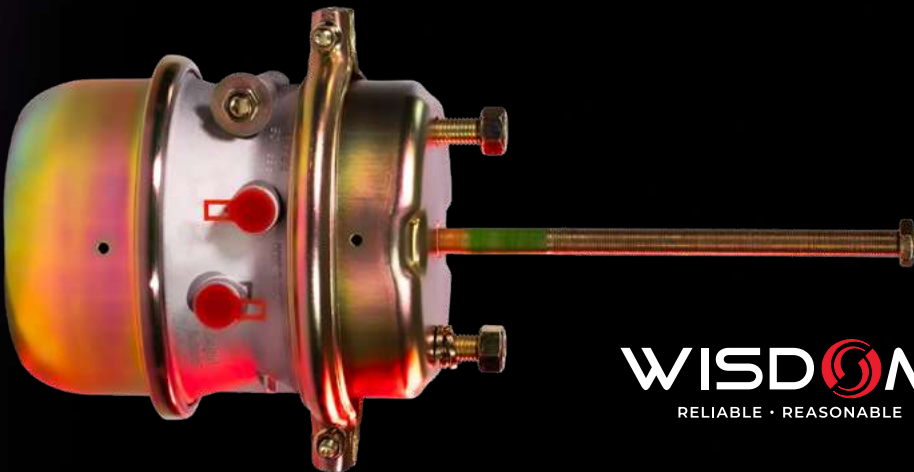
- ✓ Exceeds 1 million test cycles
- ✓ Premium-grade diaphragms
- ✓ E-coated and zinc-plated
- ✓ Long-life design
- ✓ 3-year warranty



---

# AIR DRUM CHAMBERS

---



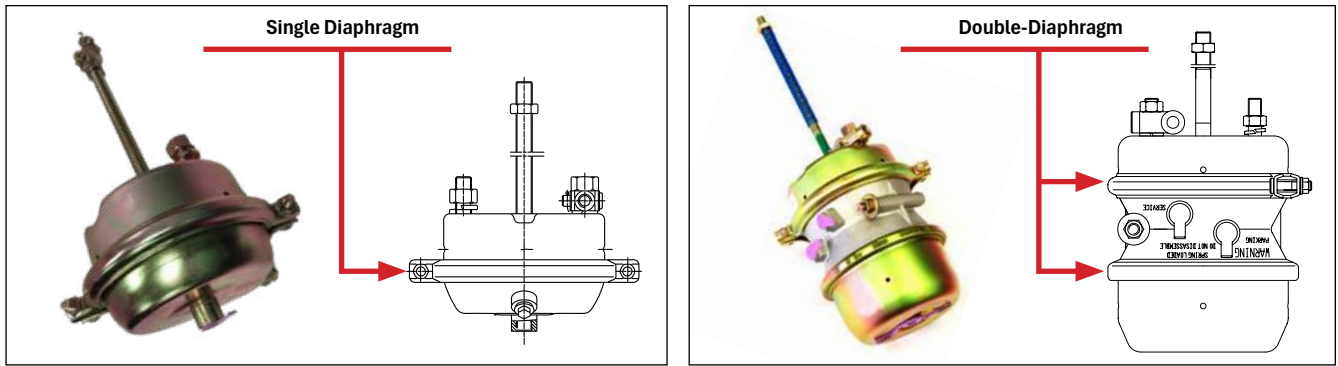
**WISDOM**®  
RELIABLE · REASONABLE

- ✓ E-coated and zinc-plated
- ✓ 1-year warranty



# AIR DRUM CHAMBERS

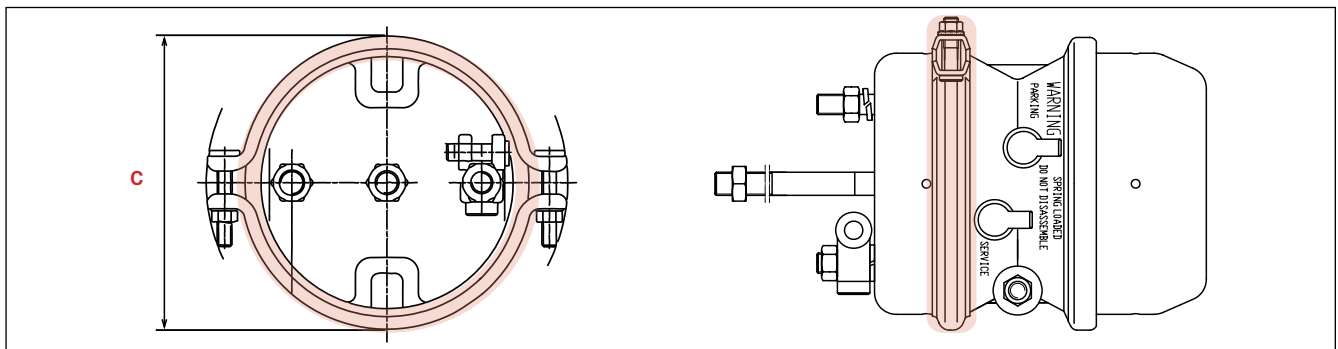
**A. Count the diaphragms.**



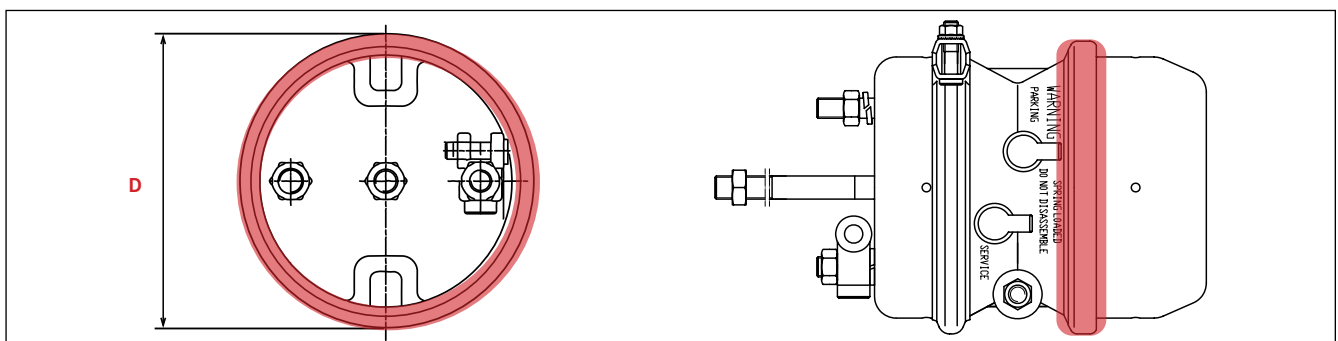
**B. Identify the pushrod style.**



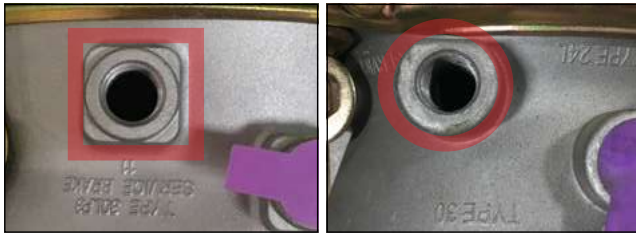
**C. Measure the outside-to-outside diameter of the clamps closest to the mounting studs, but never in the clamp bolt area.**



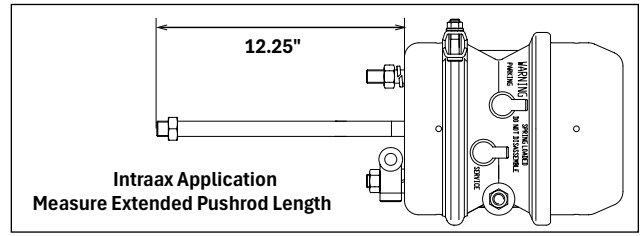
**D. Measure the outside-to-outside diameter of the clamps farthest from the mounting studs, but never in the clamp bolt area.**



**E. Identify the air port hole shape.**



**F. Refer to the notes for more details.**





**G. Use the chart to find the correct drum brake chamber.**

<b>A</b>	<b>B</b>	<b>C</b>	<b>D</b>	<b>E</b>	<b>F</b>		
<b>Diaphragm: Single or Double</b>	<b>Pushrod Type</b>	<b>Clamp(s) OD: Closest to Mounting Studs</b>	<b>Clamp(s) OD: Farthest from Mounting Studs</b>	<b>Ports Shape</b>	<b>Notes</b>	<b>SilverbackHD Part #</b>	<b>Wisdom Part #</b>
Double	No Pushrod	8.25"	8.25"	Round	Piggyback Kit	3030PBK	3030PBKW
Double	No Pushrod	8.25"	8.25"	Square	Piggyback Kit	3030PBKLS	3030PBKLSW
Double	Threaded	7.25"	7.25"	Round	Standard Drum Brake Complete	2424SB	
Double	Threaded	7.25"	8.25"	Round	Standard Drum Brake Complete	2430SB	
Double	Threaded	8.25"	8.25"	Round	Standard Drum Brake Complete, 10.5" Pushrod Fully Extended	3030SB	3030SBW
Double	Threaded	8.25"	8.25"	Round	Standard Drum Brake Complete Intraax Style 12.25" Pushrod	3030SB-INT	
Double	Threaded	8.25"	8.25"	Square	Long Stroke Springbrake Complete, 10.5" Pushrod Fully Extended	3030SBLS	3030SBLSW
Double	Welded Clevis	8.25"	8.25"	Square	Long Stroke Welded Springbrake Complete, 2.25"*	3030SBLSWC225	
Double	Welded Clevis	8.25"	8.25"	Square	Long Stroke Welded Springbrake Complete, 2.87"*	3030SBLSWC287	
Double	Threaded	8.25"	8.25"	Square	Long Stroke Springbrake Complete Intraax Style 12.25" Pushrod	3030SBLS-INT	
Single	Threaded	5.25"	N/A	Round	Service Chamber	09SC	
Single	Threaded	5.75"	N/A	Round	Service Chamber	12SC	
Single	Threaded	6.25"	N/A	Round	Service Chamber	16SC	
Single	Threaded	6.75"	N/A	Round	Service Chamber	20SC	
Single	Threaded	7.25"	N/A	Round	Service Chamber	24SC	
Single	Threaded	8.25"	N/A	Round	Service Chamber	30SC	
Single	Welded Clevis	8.25"	N/A	Square	Welded Service Chamber, 2.25"*	30LS225WC	

\* Distance from clevis pin center to service housing face.

## Air Drum Chamber Miscellaneous Parts

Description	SilverbackHD Part #	Image
Type 30 Clamp	30CLW	
Clevis Assembly 5/8" Rod x 1/2" Pin	5850CV	
Clevis Pin 1/2" x 1-3/4" Long	50CP	
Type 30 Diaphragm	30D	
Release Bolt Assembly	3030RB	



---

# BRAKE HARDWARE KITS

---



OUTPERFORM  
OUTLAST  
OUTCLASS

- ✓ Heat-treated and plated pins and rollers
- ✓ Powder-coated, high-tensile springs



# BRAKE HARDWARE KITS

- A. Find SilverbackHD Brake Wheel Kit in the first column.**
- B. Locate hardware kit in the second column.**
- C. Use pictures to identify hardware kits.**

<b>A</b>	<b>B</b>	
<b>SilverbackHD Brake Wheel Kit Part #</b>	<b>SilverbackHD Brake Hardware Kit Part # (Included)</b>	<b>Application</b>
WK1308E	HK1308E	4.00" x 15.00" Single Web Eaton Steer Style
WK1308Q	HK1308Q	4.00" x 15.00" Single Web Meritor Q Steer Style
WK1443E	HK1308E	4.00" x 15.00" Single Web Eaton ES Steer Style
WK4311E	HK4311E	7.00" x 16.50" Eaton Rear and Trailer Style
WK4514Q	HK4515Q-34	6.00" x 16.50" Q Standard Mount Rear
WK4514QR	HK1657QM	6.00" x 16.50" Q High Mount Steer
WK4515CP	HK4515CSP	7.00" x 16.50" Cast Rear
WK4515Q	HK4515Q-34	7.00" x 16.50" Q Rear and Trailer
WK4515XEM3	HK4515F-3	7.00" x 16.50" XEM3 Fruehauf Trailer Style
WK4524Q	HK4515Q-34	5.00" x 16.50" Q Standard Mount Rear
WK4524QR	HK1657QM	5.00" x 16.50" Q High Mount Steer
WK4551Q	HK4515Q-34	8.62" x 16.50" Q Trailer
WK4591DX	HK1225DX	7.50" x 12.25" Dexter Lowboy Style
WK4591SF	HK1225SF (not sold separately)	7.50" x 12.25" Standard Forge Lowboy Style
WK4670Q	HK1225Q (not sold separately)	7.50" x 12.25" Meritor Lowboy Style
WK4692Q	HK1225D-150	7.50" x 12.25" Spicer Lowboy Style
WK4702Q	HK4702Q	4.00" x 15.00" Double Web Q+ Steer
WK4703Q	HK4702Q	5.00" x 15.00" Q+ Steer
WK4704Q	HK4702Q	6.00" x 15.00" Q+ Steer or Rear
WK4705Q	HK4702Q	7.00" x 15.00" Q+ Steer or Rear
WK4707Q	HK4515Q-34	7.00" x 16.50" Q+ Rear and Trailer
WK4707QR	HK1657QM	7.00" x 16.50" Q+ High Mount Steer
WK4709ES2	HK4709E-12	7.00" x 16.50" Eaton ES2 Rear and Trailer Style
WK4709ES2F	HK4719E	7.00" x 16.50" Eaton ES2 Steer Style
WK4710Q	HK4702Q	8.62" x 15.00" Q+ Rear
WK4711Q	HK4515Q-34	8.62" x 16.50" Q+ Rear and Trailer
WK4715Q	HK1657QM	6.00" x 16.50" Q+ Steer or Rear
WK4718Q	HK4515Q-34	8.00" x 16.50" Q+ Rear
WK4719ES2	HK4719E	5.00" x 16.50" Eaton ES Steer Style
WK4720Q	HK1657QM	5.00" x 16.50" Q+ Steer
WK4725ES2	HK4719E	6.00" x 16.50" Eaton ES Steer or Rear Style
WK4726ES2	HK4709E-12	8.62" x 16.50" Eaton ES Rear and Trailer Style
WK4729ES	HK4729E	4.00" x 15.00" Double Web Eaton ES Steer Style



**HK1225D-150**



**HK1225DX**



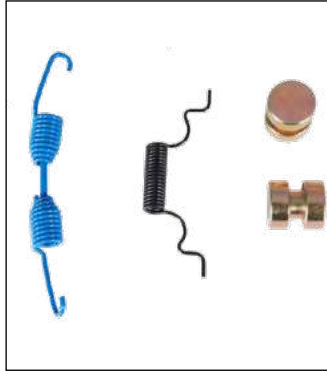
**HK1225D-188**



**HK1225SF**



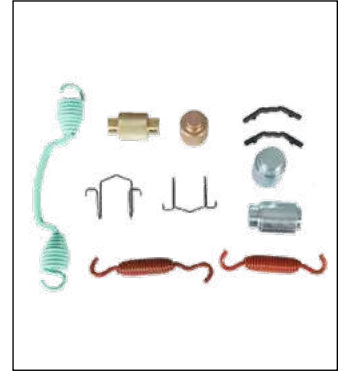
**HK1225Q**



**HK1308E**



**HK1308Q**



**HK1657QM**



**HK4311E**



**HK4515F-3**



**HK4515Q-34**



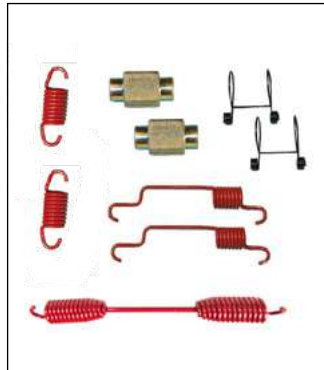
**HK4515CSP**



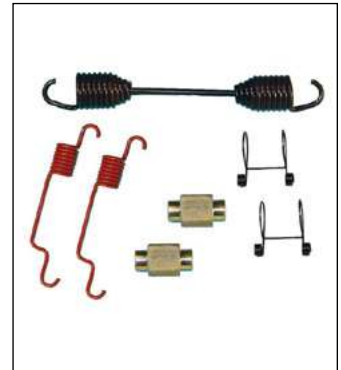
**HK4702Q**



**HK4709E-12**



**HK4719E**



**HK4729E**



OUTPERFORM  
OUTLAST  
OUTCLASS

- ✓ No cores – new steel/cast iron
- ✓ Ceramic friction
- ✓ Lifetime rust-jacking warranty (steel)
- ✓ 200–250°F cooler operating temperatures
- ✓ Significantly lower wear rates
- ✓ Severe duty also available
- ✓ Premium hardware included

---

# BRAKE WHEEL KITS

---



**WISDOM**<sup>®</sup>  
RELIABLE • REASONABLE

- ✓ No cores – new lined shoes
- ✓ Mid-grade semi-metallic friction
- ✓ Complete hardware kit included



# BRAKE WHEEL KITS

## A. Identify shoe width.



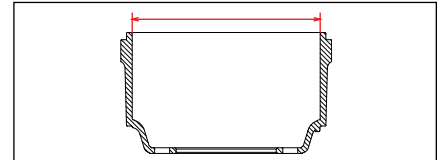
Determine the width of the shoe by measuring the shoe width as shown above. This 4707Q+ measures 7.00" in width.

## B. Identify drum diameter.



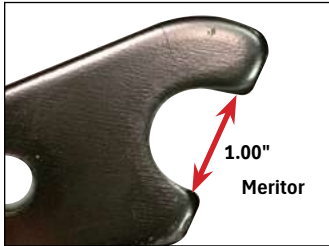
Drum diameter is equal to the Maximum Diameter that is stamped in your drum (minus 0.12").

Drum Casting	Drum Diameter
16.62"	16.50"
15.12"	15.00"
12.37"	12.25"

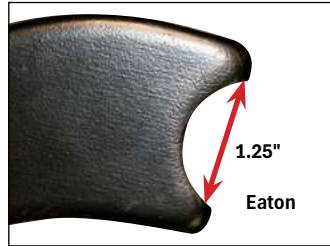


Measure brake surface diameter.

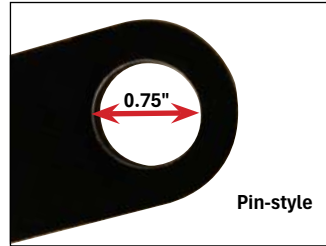
## C. Identify shoe style.



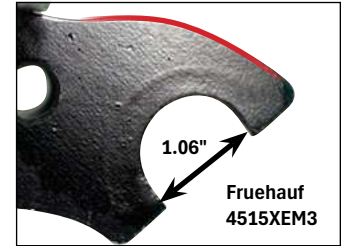
Meritor-style shoes have a 1.00" wide claw-shaped anchor end. They are also known as "Q" or "Q+" shoes because they can be quickly changed and do not have pin-styled ends.



Eaton-style shoes have a distinctively wider anchor end that measures approximately 1.25" wide.



Pin-style shoes use roller pins and/or anchor pins to secure the shoes in place. Unlike the previous styles, this end is closed and is commonly found on 7.50" wide by 12.25" diameter shoes.



Fruehauf-style shoes have humps on the anchor end.

## D. Count number of webs.



Pre-1995 steer shoes used a single web. After 1994, most steer shoes became double web.



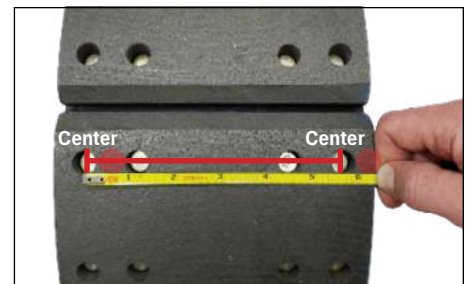
## E. Identify shoe features.



Q-style shoe with hump near pin hole.



Narrowing cam end webs.



Center-to-center outside row of rivets.

**F. Use chart and pictures to identify brake wheel kits.**

A	B	C	D	E	SilverbackHD Part #s			Wisdom Part #s	
Shoe Width	Drum Dia.	Shoe Style	Web Qty.	Features	Hardware Kit	20K and 23K	23K HTP* 26K SD*	Hardware Kit	20K and 23K
<b>4.00" Brake Shoes – Includes Hardware Kit</b>									
4.00"	15.00"	Eaton	1	Center-to-center of rivets is 2.75". 14 rivets.	HK1308E	WK1308E-20KSB, WK1308E-23KSB		HK1308E	WK1308E-23KW
4.00"	15.00"	Eaton	1	Center-to-center of rivets is 2.00". 14 rivets.	HK1308E	WK1443E-20KSB, WK1443E-23KSB		HK1308E	WK1443E-23KW
4.00"	15.00"	Eaton	2	16 rivets.	HK4729E	WK4729ES-20KSB, WK4729ES-23KSB			
4.00"	15.00"	Meritor	1	Pre-1995. 14 rivets.	HK1308Q	WK1308Q-20KSB, WK1308Q-23KSB			
4.00"	15.00"	Meritor	2	No hump in web. 16 rivets.	HK4702Q	WK4702Q-20KSB, WK4702Q-23KSB		HK4702Q	WK4702Q-20KW, WK4702Q-23KW
<b>5.00" Brake Shoes – Includes Hardware Kit</b>									
5.00"	15.00"	Meritor	2	No hump in web. Steer axle.	HK4702Q	WK4703Q-20KSB, WK4703Q-23KSB			
5.00"	16.50"	Eaton	2	Steer axle.	HK4719E	WK4719ES2-20KSB, WK4719ES2-23KSB		HK4719E	WK4719ES2-23KW
5.00"	16.50"	Meritor	2	Webs have small hump near hole. 1.05" from table. Drive axle. Center-to-center outside row of rivets 3.38".	HK4515Q-34	WK4524Q-20KSB, WK4524Q-23KSB			
5.00"	16.50"	Meritor	2	Webs have small hump near hole. 0.55" from table. Steer axle.	HK1657QM	WK4524QR-23KSB			
5.00"	16.50"	Meritor	2	Center-to-center outside row of rivets 3.63". No hump in web.	HK1657QM	WK4720Q-20KSB, WK4720Q-23KSB		HK1657QM	WK4720Q-23KW
<b>6.00" Brake Shoes – Includes Hardware Kit</b>									
6.00"	15.00"	Meritor	2	No hump in web.	HK4702Q	WK4704Q-23KSB			
6.00"	16.50"	Eaton	2		HK4719E	WK4725ES2-20KSB, WK4725ES2-23KSB		HK4719E	WK4725ES2-23KW
6.00"	16.50"	Meritor	2	Webs have small hump near hole. 1.05" from table. Drive axle. Center-to-center outside row of rivets 3.38".	HK4515Q-34	WK4514Q-23KSB			
6.00"	16.50"	Meritor	2	Center-to-center outside row of rivets 3.63". No hump in web.	HK1657QM	WK4715Q-20KSB, WK4715Q-23KSB		HK1657QM	WK4715Q-23KW
<b>7.00" Brake Shoes – Includes Hardware Kit</b>									
7.00"	15.00"	Meritor	2	No hump in web.	HK4702Q	WK4705Q-23KSB			
7.00"	16.50"	Eaton	2	Webs narrow at roller end from 2.00" to 1.00".	HK4311E	WK4311E-20KSB, WK4311E-23KSB		HK4311E	WK4311E-23KW
7.00"	16.50"	Eaton	2	ES2 shoes have no spring attaching tabs on table (4709ES2 replaces 4709ES).	HK4709E-12	WK4709ES2-20KSB, WK4709ES2-23KSB	WK4709ES2-23KSBHTP, WK4709ES2-26KSBSD	HK4709E-12	WK4709ES2-20KW, WK4709ES2-23KW
7.00"	16.50"	Eaton	2	Same as 4709ES2, but requires two small return springs per wheel for steer axle.	HK4719E	WK4709ES2F-23KSB			
7.00"	16.50"	Fruehauf	2	Webs have small hump near hole, plus hump on anchor end of webs.	HK4515F-3	WK4515XEM3-23KSB		HK4515F-3	WK4515XEM3-23KW

A	B	C	D	E	SilverbackHD Part #s			Wisdom Part #s	
Shoe Width	Drum Dia.	Shoe Style	Web Qty.	Features	Hardware Kit	20K and 23K	23K HTP* 26K SD*	Hardware Kit	20K and 23K
7.00"	16.50"	Meritor	2	Nickel-chromium molybdenum pivot bushings to maintain tight tolerances.	HK4515CSP		WK4515CP-26KSD		
7.00"	16.50"	Meritor	2	Webs have small hump near hole. Center-to-center outside row of rivets 5.38".	HK4515Q-34	WK4515Q-20KSB, WK4515Q-23KSB	WK4515Q-26KSBSD	HK4515Q-34	WK4515Q-20KW, WK4515Q-23KW
7.00"	16.50"	Meritor	2	Center-to-center outside row of rivets 5.63". No hump in web.	HK4515Q-34	WK4707Q-20KSB, WK4707Q-23KSB	WK4707Q-23KSBHTP, WK4707Q-26KSBSD	HK4515Q-34	WK4707Q-20KW, WK4707Q-23KW
7.00"	16.50"	Meritor	2	Same as 4707Q, except steer axle.	HK1657QM	WK4707QR-23KSB			
<b>7.50" Brake Shoes – Includes Hardware Kit</b>									
7.50"	12.25"	Meritor (Dexter)	2	24 rivets. Closed roller pin hole. Hump at anchor end. Open anchor pin end.	HK1225DX	WK4591DX-23KSB			
7.50"	12.25"	Meritor	2	20 rivets. Closed roller pin hole. No hump at anchor end. Open anchor pin end.	HK1225Q	WK4670Q-23KSB			
7.50"	12.25"	Meritor (Spicer)	2	20 rivets. Open at both roller end and anchor end. 3 holes in each web. Old style had notches in webs for hold down spring. New style 4692Q replaces old style.	HK1225D-150	WK4692Q-20KSB, WK4692Q-23KSB			
7.50"	12.25"	Pin-Style (Standard Forge)	2	24 rivets. Roller and anchor holes closed both ends.	HK1225SF	WK4591SF-23KSB			
<b>8.00" Brake Shoes – Includes Hardware Kit</b>									
8.00"	16.50"	Meritor	2	No hump in web.	HK4515Q-34	WK4718Q-23KSB	WK4718Q-23KSBHTP, WK4718Q-26KSBSD		
<b>8.62" Brake Shoes – Includes Hardware Kit</b>									
8.62"	15.00"	Meritor	2	No hump in web.	HK4702Q	WK4710Q-23KSB	WK4710Q-23KSBHTP, WK4710Q-26KSBSD		
8.62"	16.50"	Eaton	2		HK4709E-12	WK4726ES2-20KSB, WK4726ES2-23KSB	WK4726ES2-23KSBHTP, WK4726ES2-26KSBSD	HK4709E-12	WK4726ES2-23KW
8.62"	16.50"	Meritor	2	Webs have small hump near hole. Center-to-center outside row of rivets 7.00".	HK4515Q-34	WK4551Q-20KSB			
8.62"	16.50"	Meritor	2	Center-to-center outside row of rivets 6.63". No hump in web.	HK4515Q-34	WK4711Q-20KSB, WK4711Q-23KSB	WK4711Q-23KSBHTP, WK4711Q-26KSBSD	HK4515Q-34	WK4711Q-23KW

\* **HTP:** High-Temp Formula; **SD:** Severe Duty

### 4.00" Brake Shoes



### 5.00" Brake Shoes



### 6.00" Brake Shoes



Available in:

\* 20K or 23K

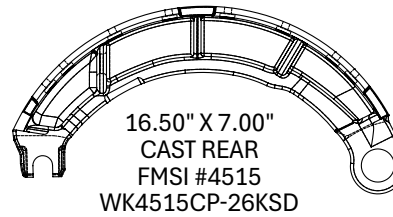
\*\* 20K, 23K or 23KSBHTP

\*\*\* 20K, 23K, 23KSBHTP, 26KSBSD

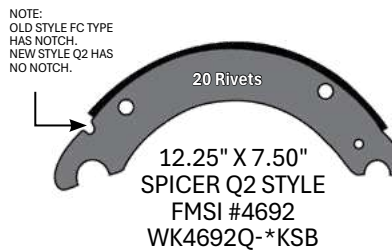
### 7.00" Brake Shoes



### 7.00" Cast Shoes



### 7.50" Brake Shoes



### 8.00" Brake Shoes



### 8.62" Brake Shoes



Available in:

\* 20K or 23K

\*\* 20K, 23K or 23KSBHTP

\*\*\* 20K, 23K, 23KSBHTP, 26KSBSD





**SILVERBACK<sup>HD</sup>**

OUTPERFORM  
OUTLAST  
OUTCLASS

- ✓ High-carbon grey iron provides excellent heat dissipation for longer brake life
- ✓ Computer-balanced
- ✓ 35,000-psi tensile strength

---

# BRAKE DRUMS

---



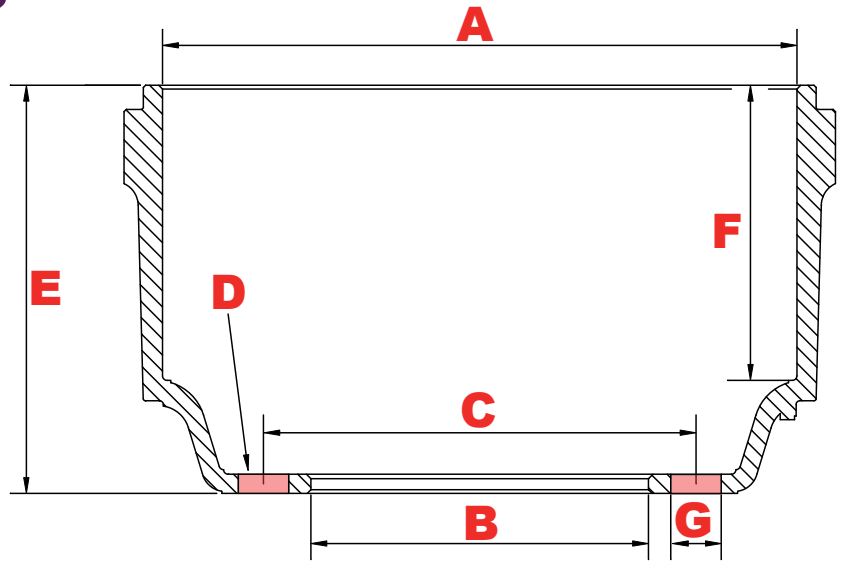
**WISDOM<sup>®</sup>**  
RELIABLE · REASONABLE

- ✓ Rated 23K axle load



# BRAKE DRUMS

- A.** Brake surface diameter.
- B.** Pilot diameter.
- C.** Bolt circle diameter.
- D.** Number of bolt holes.
- E.** Overall depth.
- F.** Brake surface width.
- G.** Bolt hole size.
- H.** Use chart to finalize selection.



Drum Brakes

A	B	C	D	E	F	G	SilverbackHD Part #	Wisdom Part #
Brake Surface Diameter	Pilot Diameter	Bolt Circle Diameter	Number of Bolt Holes	Overall Depth	Brake Surface Width	Bolt Hole Size		
<b>12.25" Diameter Drums</b>								
12.25"	7.00"	8.25"	6	9.10"	8.00"	0.65"	34BD67BB	
12.25"	7.12"	8.75"	10	10.47"	8.24"	0.81"	35BD57B	
12.25"	8.50"	10.00"	6	8.88"	8.00"	0.65"	31BD74B	
12.25"	9.00"	10.82"	8	11.22"	10.00"	1.00"	38BD87B	
<b>15.00" Diameter Drums</b>								
15.00"	8.78"	11.25"	10	8.79"	4.78"	1.25"	37BD21AB	37BD21ABW
15.00"	8.78"	11.25"	10	9.18"	4.66"	1.25"	38BD00B	38BD00BW
15.00"	8.78"	11.25"	10	9.33"	5.42"	1.25"	37BD74B	
15.00"	8.78"	11.25"	10	10.28"	7.14"	1.00"	37BD53B	
15.00"	8.78"	11.25"	10	11.90"	9.30"	1.00"	37BD44B	
15.00"	9.00"	11.25"	10	8.91"	4.40"	1.25"	31BD58B	
15.00"	9.25"	11.25"	5/6	5.85"	4.61"	0.78"	37BD60BB	
<b>16.50" Diameter Drums</b>								
16.50"	8.53"	11.25"	10	10.38"	7.70"	0.81"	36BD99B	
16.50"	8.53"	11.25"	10	10.59"	7.63"	0.81"	31BD66B	31BD66BW
16.50"	8.78"	11.25"	10	9.04"	5.38"	1.25"	37BD10B	37BD10BW
16.50"	8.78"	11.25"	10	9.37"	5.43"	1.25"	37BD58B	37BD58BW

<b>A</b>	<b>B</b>	<b>C</b>	<b>D</b>	<b>E</b>	<b>F</b>	<b>G</b>	<b>SilverbackHD Part #</b>	<b>Wisdom Part #</b>
<b>Brake Surface Diameter</b>	<b>Pilot Diameter</b>	<b>Bolt Circle Diameter</b>	<b>Number of Bolt Holes</b>	<b>Overall Depth</b>	<b>Brake Surface Width</b>	<b>Bolt Hole Size</b>		
16.50"	8.78"	11.25"	10	9.63"	5.74"	0.93"	12BD3463B	
16.50"	8.78"	11.25"	10	9.80"	6.52"	1.25"	36BD87B	36BD87BW
16.50"	8.78"	11.25"	10	10.12"	7.50"	1.00"	37BD96B	
16.50"	8.78"	11.25"	10	10.30"	7.40"	1.00"	34BD02B	
16.50"	8.78"	11.25"	10	10.54"	7.60"	1.00"	35BD76B	
16.50"	8.78"	11.25"	10	10.56"	7.60"	1.00"	36BD00AB	
16.50"	8.78"	11.25"	10	10.56"	7.60"	1.00"		39BD22BW
16.50"	8.78"	11.25"	10	11.06"	8.60"	1.00"	37BD82B	
16.50"	8.78"	11.25"	10	11.18"	7.44"	1.00"	37BD57B	37BD57BW
16.50"	8.78"	11.25"	10	11.39"	9.08"	1.00"	38BD07AB	38BD07ABW
16.50"	9.00"	10.82"	8	10.59"	7.75"	1.00"	31BD41BB	
16.50"	9.00"	11.25"	10	10.59"	7.75"	0.81"	31BD41B	31BD41BW
16.50"	9.44"	11.00"	5/6	8.41"	7.63"	0.65"/0.78"	29BD83CB	29BD83CBW
16.50"	9.44"	11.25"	10	9.50"	7.56"	0.85"	27BD05B	
16.50"	9.44"	11.25"	10	10.74"	7.52"	0.84"	31BD20B	
16.50"	9.50"	11.25"	10	8.74"	7.50"	0.81"	30BD18AB	30BD18ABW
16.50"	9.50"	11.25"	5/6	8.75"	7.50"	0.65"/0.81"	25BD46CB	
16.50"	10.50"	12.75"	5/6	8.74"	7.58"	0.78"	29BD97DB	
16.50"	11.00"	12.75"	6	7.93"	7.31"	0.65"	86BD56B	
16.50"	11.25"	12.75"	6	7.43"	6.40"	0.78"	30BD22BB	
16.50"	11.25"	12.75"	5/6	8.46"	7.41"	0.78"	32BD95AB	32BD95ABW

---

# CAMSHAFTS

---



**SILVERBACK**<sup>®</sup> OUTPERFORM  
OUTLAST  
OUTCLASS

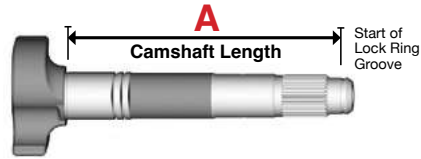
- ✓ Precision-machined heads
- ✓ Etched part number for easy identification
- ✓ Heat-treated heads, journals, and splines
- ✓ Stone-ground journals



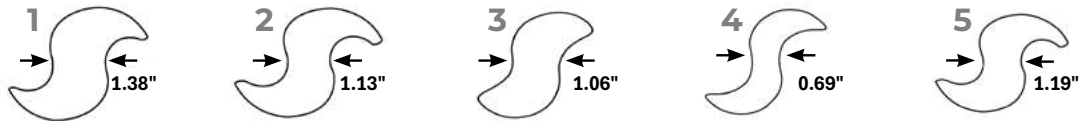
# CAMSHAFTS

**A. Measure camshaft length.**

Measure from under the camshaft head to the beginning of the lock ring groove.

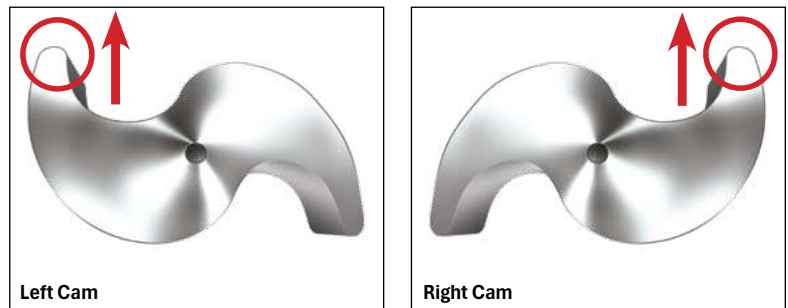


**B. Determine camshaft head type.**

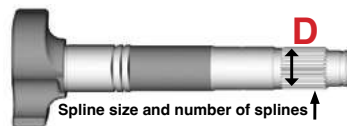


**C. Determine if camshaft is left or right.**

Put the camshaft on a table with the shaft pointing away from you and the head closest to you. If the tip of the cam that points up is on the right, the cam is right hand. If the tip of the cam that points up is on the left, the cam is left hand.



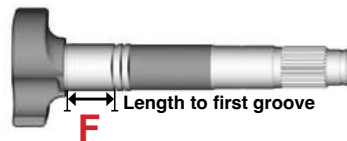
**D. Determine spline size and quantity.**



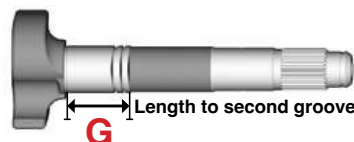
**E. Determine bearing journal diameter.**

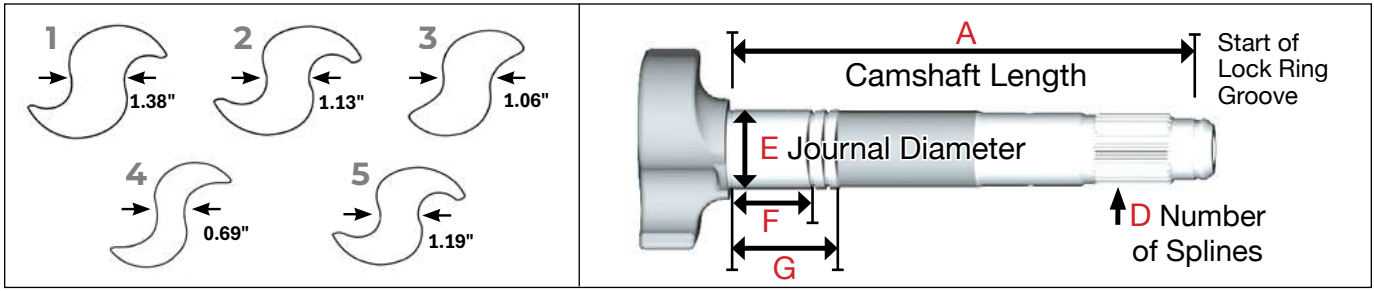


**F. Measure length to first groove, if needed.**



**G. Measure length to second groove, if needed.**

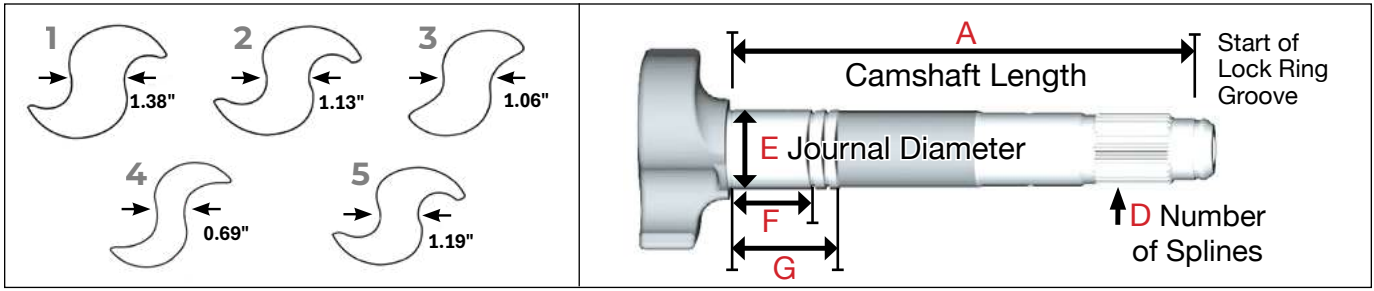




**H. Use the chart to select camshaft and cam repair kit part numbers.**

A Camshaft Length	B Head Type	C Left or Right	D Spline Size & Quantity	E Journal Dia.	F Length to 1st Groove	G Length to 2nd Groove	SilverbackHD		Wisdom	Manufacturer & Brake Size
							Camshaft Part #	CRK Part #	CRK Part #	
7.41"	1	R	1.50"-10	1.50"	2.18"	N/A	CS4892R	CRK2287B		Meritor Style 16.50"
7.41"	1	L	1.50"-10	1.50"	2.18"	N/A	CS4893L	CRK2287B		Meritor Style 16.50"
8.56"	5	Left	1.50"-28	1.50"	N/A	N/A	CS9649L	CRK3993BB, CRK9080B		Meritor Style 16.50" Q+
8.56"	5	Right	1.50"-28	1.50"	N/A	N/A	CS9650R	CRK3993BB, CRK9080B		Meritor Style 16.50" Q+
10.94"	5	Left	1.50"-28	1.50"	N/A	N/A	CS9657L	CRK3993BB, CRK9080B		Meritor Style 16.50" Q+
10.94"	5	Right	1.50"-28	1.50"	N/A	N/A	CS9658R	CRK3993BB, CRK9080B		Meritor Style 16.50" Q+
11.03"	2	Left	1.50"-10	1.50"	2.31"	8.69"	CS11864L	CRK11897B	CRK11897BW	Hendrickson Style 16.50"
11.03"	2	Right	1.50"-10	1.50"	2.31"	8.69"	CS11865R	CRK11897B	CRK11897BW	Hendrickson Style 16.50"
11.03"	2	Left	1.50"-28	1.50"	2.31"	8.69"	CS11866L	CRK11897B	CRK11897BW	Hendrickson Style 16.50"
11.03"	2	Right	1.50"-28	1.50"	2.31"	8.69"	CS11867R	CRK11897B	CRK11897BW	Hendrickson Style 16.50"
11.13"	5	Left	1.50"-28	1.50"	N/A	N/A	CS9659L	CRK3993BB, CRK9080B		Meritor Style 16.50" Q+
11.13"	5	Right	1.50"-28	1.50"	N/A	N/A	CS9660R	CRK3993BB, CRK9080B		Meritor Style 16.50" Q+
11.25"	1	Left	1.50"-28	1.50"	N/A	N/A	CS5003L	CRK3993BB		
11.25"	1	Right	1.50"-28	1.50"	N/A	N/A	CS5004R	CRK3993BB		
11.50"	1	Left	1.50"-10	1.50"	N/A	N/A	CS1776L	CRK2125B		Eaton Style 16.50"
11.50"	1	Right	1.50"-10	1.50"	N/A	N/A	CS1775R	CRK2125B		Eaton Style 16.50"
11.56"	5	Left	1.50"-28	1.50"	N/A	N/A	CS9661L	CRK3993BB, CRK9080B		Meritor Style 16.50" Q+
11.56"	5	Right	1.50"-28	1.50"	N/A	N/A	CS9662R	CRK3993BB, CRK9080B		Meritor Style 16.50" Q+
11.69"	5	Left	1.50"-28	1.50"	N/A	N/A	CS9663L	CRK3993BB, CRK9080B		Meritor Style 16.50" Q+
11.69"	5	Right	1.50"-28	1.50"	N/A	N/A	CS9664R	CRK3993BB, CRK9080B		Meritor Style 16.50" Q+
12.94"	5	Left	1.50"-28	1.50"	N/A	N/A	CS9669L	CRK3993BB, CRK9080B		Meritor Style 16.50" Q+
12.94"	5	Right	1.50"-28	1.50"	N/A	N/A	CS9670R	CRK3993BB, CRK9080B		Meritor Style 16.50" Q+

A	B	C	D	E	F	G	SilverbackHD		Wisdom	Manufacturer & Brake Size
Camshaft Length	Head Type	Left or Right	Spline Size & Quantity	Journal Dia.	Length to 1st Groove	Length to 2nd Groove	Camshaft Part #	CRK Part #	CRK Part #	
13.44"	5	Left	1.50"-28	1.50"	N/A	N/A	CS9673AL	CRK3993BB		
13.44"	5	Right	1.50"-28	1.50"	N/A	N/A	CS9674AR	CRK3993BB		
14.59"	5	Left	1.50"-28	1.50"	N/A	N/A	CS9677L	CRK3993BB		Meritor Style 16.50" Q+
14.59"	5	Right	1.50"-28	1.50"	N/A	N/A	CS9678R	CRK3993BB		Meritor Style 16.50" Q+
15.18"	5	Left	1.50"-28	1.50"	N/A	N/A	CS9681L	CRK3993BB		Meritor Style 16.50" Q+
15.18"	5	Right	1.50"-28	1.50"	N/A	N/A	CS9682R	CRK3993BB		Meritor Style 16.50" Q+
15.72"	5	Left	1.50"-28	1.50"	N/A	N/A	CS9683L	CRK3993BB		Meritor Style 16.50" Q+
15.72"	5	Right	1.50"-28	1.50"	N/A	N/A	CS9684R	CRK3993BB		Meritor Style 16.50" Q+
16.13"	1	Left	1.62"-37	1.62"	2.16"	N/A	CS1563L	CRK2090B		Fruehauf Style 16.50"
16.13"	1	Right	1.62"-37	1.62"	2.16"	N/A	CS1564R	CRK2090B		Fruehauf Style 16.50"
17.31"	5	Left	1.50"-28	1.62"	1.70"	1.97"	CS5506L	CRK9078B, CRK9079B, CRK3520AB		
17.31"	5	Right	1.50"-28	1.62"	1.70"	1.97"	CS5507R	CRK9078B, CRK9079B, CRK3520AB		
17.44"	2	Left	1.50"-28	1.62"	2.25"	N/A	CS9731L	CRK11910B, CRK9790AB		Spicer Style 16.50" XL
17.44"	2	Right	1.50"-28	1.62"	2.25"	N/A	CS9732R	CRK11910B, CRK9790AB		Spicer Style 16.50" XL
20.41"	5	Left	1.50"-28	1.62"	1.70"	1.97"	CS5508L	CRK9078B, CRK9079B		Meritor Style 16.50" Q+
20.41"	5	Right	1.50"-28	1.62"	1.70"	1.97"	CS5509R	CRK9078B, CRK9079B		Meritor Style 16.50" Q+
20.44"	2	Left	1.50"-28	1.62"	2.25"	N/A	CS9733L	CRK11910B, CRK9790AB		Spicer Style 16.50" XL
20.44"	2	Right	1.50"-28	1.62"	2.25"	N/A	CS9734R	CRK11910B, CRK9790AB		Spicer Style 16.50" XL
21.13"	1	Left	1.62"-37	1.62"	2.16"	N/A	CS2099L	CRK2090B		Fruehauf Style 16.50"
21.13"	1	Right	1.62"-37	1.62"	2.16"	N/A	CS2100R	CRK2090B		Fruehauf Style 16.50"
23.44"	1	Left	1.50"-28	1.50"	1.63"	2.22"	CS3856L	CRK2287B		Spicer Style 16.50"
23.44"	1	Right	1.50"-28	1.50"	1.63"	2.22"	CS3857R	CRK2287B		Spicer Style 16.50"
23.50"	2	Left	1.50"-10	1.50"	1.63"	2.22"	CS5520L	CRK2287B		Spicer Style 16.50" XL
23.50"	2	Right	1.50"-10	1.50"	1.63"	2.22"	CS5521R	CRK2287B		Spicer Style 16.50" XL
23.56"	2	Left	1.50"-28	1.50"	1.63"	2.22"	CS5526L	CRK2287B		Spicer Style 16.50" XL
23.56"	2	Right	1.50"-28	1.50"	1.63"	2.22"	CS5527R	CRK2287B		Spicer Style 16.50" XL
23.56"	2	Left	1.50"-28	1.62"	2.25"	N/A	CS9735L	CRK11910B, CRK9790AB		Spicer Style 16.50" XL
23.56"	2	Right	1.50"-28	1.62"	2.25"	N/A	CS9736R	CRK11910B, CRK9790AB		Spicer Style 16.50" XL
23.75"	2	Left	1.50"-28	1.62"	2.22"	N/A	CS9059L			Eaton Style 16.50" ES
23.75"	2	Right	1.50"-28	1.62"	2.22"	N/A	CS9060R			Eaton Style 16.50" ES
24.06"	5	Left	1.50"-28	1.62"	1.70"	1.97"	CS5510L	CRK9078B, CRK9079B		Meritor Style 16.50" P, Q,
24.06"	5	Right	1.50"-28	1.62"	1.70"	1.97"	CS5511R	CRK9078B, CRK9079B		Meritor Style 16.50" P, Q,
24.06"	2	Left	1.50"-28	1.50"	1.63"	2.22"	CS9100L	CRK2287B		Spicer Style 16.50" XL



A Camshaft Length	B Head Type	C Left or Right	D Spline Size & Quantity	E Journal Dia.	F Length to 1st Groove	G Length to 2nd Groove	SilverbackHD		Wisdom	Manufacturer & Brake Size
							Camshaft Part #	CRK Part #	CRK Part #	
24.06"	2	Right	1.50"-28	1.50"	1.63"	2.22"	CS9101R	CRK2287B		Spicer Style 16.50" XL
24.13"	2	Left	1.50"-28	1.62"	2.25"	N/A	CS10909L	CRK11910B, CRK9790AB		Spicer Style 16.50" XL
24.13"	2	Right	1.50"-28	1.62"	2.25"	N/A	CS10910R	CRK11910B, CRK9790AB		Spicer Style 16.50" XL
26.25"	2	Left	1.50"-28	1.62"	2.25"	N/A	CS11860L	CRK11910B, CRK9790AB		Spicer Style 16.50" XL
26.25"	2	Right	1.50"-28	1.62"	2.25"	N/A	CS11861R	CRK11910B, CRK9790AB		Spicer Style 16.50" XL
26.50"	1	L	1.50"-10	1.50"	2.18"	N/A	CS7219L	CRK2287B		Spicer Style 16.50"
26.50"	1	R	1.50"-10	1.50"	2.18"	N/A	CS7220R	CRK2287B		Spicer Style 16.50"



OUTPERFORM  
OUTLAST  
OUTCLASS

- ✓ Made to the tightest tolerances
- ✓ Severe-duty, extended-life cam tube
- ✓ Durable, long-life design



---

# CAM REPAIR KITS

---



**WISDOM**<sup>®</sup>  
RELIABLE · REASONABLE


- ✓ Competitive cam tube kit




## CAM REPAIR KITS

- A. Identify the camshaft.**
- B. Identify the Cam Repair Kit (CRK) options.**
- C. Use the CRK picture to confirm the CRK required.**

A		B	
SilverbackHD Left Camshaft Part #	SilverbackHD Right Camshaft Part #	SilverbackHD CRK Part #	Wisdom CRK Part #
CS1563L	CS1564R	CRK2090B	
CS1776L	CS1775R	CRK10897B	
CS2099L	CS2100R	CRK2090B	
CS3856L	CS3857R	CRK2287B	
CS5003L	CS5004R	CRK3993BB	
CS5506L	CS5507R	CRK9078B, CRK9079B, CRK3520AB	
CS5508L	CS5509R	CRK9078B, CRK9079B	
CS5510L	CS5511R	CRK9078B, CRK9079B	
CS5520L	CS5521R	CRK2287B	
CS5526L	CS5527R	CRK2287B	
CS7219L	CS7220R	CRK2287B	
CS9059L	CS9060R		
CS9100L	CS9101R	CRK2287B	
CS9649L	CS9650R	CRK3993BB	
CS9657L	CS9658R	CRK3993BB	
CS9659L	CS9660R	CRK3993BB	
CS9661L	CS9662R	CRK3993BB	
CS9663L	CS9664R	CRK3993BB	
CS9669L	CS9670R	CRK3993BB	
CS9673AL	CS9674AR	CRK3993BB	
CS9677L	CS9678R	CRK3993BB	
CS9681L	CS9682R	CRK3993BB	
CS9683L	CS9684R	CRK3993BB	
CS9731L	CS9732R	CRK11910B, CRK9790AB	
CS9733L	CS9734R	CRK11910B, CRK9790AB	
CS9735L	CS9736R	CRK11910B, CRK9790AB	
CS10909L	CS10910R	CRK11910B, CRK9790AB	
CS11860L	CS11861R	CRK11910B, CRK9790AB	
CS11864L	CS11865R	CRK11897B	CRK11897BW
CS11866L	CS11867R	CRK11897B	CRK11897BW

CRK2090B**			
<b>Brake Size</b>	12.25" and 16.50"	<b>Brake App.</b>	Fruehauf Style
<b>Info.</b>	16.50" and 12.25" Fruehauf late model Pro-Par axles		
			


CRK2125B**			
<b>Brake Size</b>	15.00" and 16.50"	<b>Brake App.</b>	Eaton Style
<b>Info.</b>	15.00" and 16.50" brakes		
			


CRK2287B**			
<b>Brake Size</b>	16.50"	<b>Brake App.</b>	Spicer and Standard Forge Styles
<b>Info.</b>	16.50" late models with weld on spiders		
			

CRK2469B**			
<b>Brake Size</b>	12.25"	<b>Brake App.</b>	Spicer and Standard Forge Styles
<b>Info.</b>	12.25" late model axles		
			

CRK3520AB**			
<b>Brake Size</b>	16.50"	<b>Brake App.</b>	Meritor Style
<b>Info.</b>	16.50" 4000-6000 series trailer late model		
			


CRK3993BB**			
<b>Brake Size</b>	15.00" and 16.50"	<b>Brake App.</b>	Meritor Style
<b>Info.</b>	15.00" and 16.50" Q and Q+ drive axles		
			


CRK5501B**			
<b>Brake Size</b>	15.00" and 16.50"	<b>Brake App.</b>	Eaton Style
<b>Info.</b>	15.00" reduced envelope and drive axle 16.50" extended service brakes		
			

CRK9078B*			
<b>Brake Size</b>	16.50"	<b>Brake App.</b>	Meritor Style
<b>Info.</b>	16.50" Q and Q+ trailer brakes press in spider bushing		
			

CRK9079B*			
<b>Brake Size</b>	16.50"	<b>Brake App.</b>	Meritor Style
<b>Info.</b>	16.50" Q and Q+ trailer brakes bolt on spider bushing		
			

\* Bronze Bushings, \*\* Brass Bushings

CRK9790AB*			
<b>Brake Size</b>	12.25" and 16.50"	<b>Brake App.</b>	Spicer Style
<b>Info.</b>	12.25" and 16.50" brakes with 1.63" journal		
			

CRK10897B*			
<b>Brake Size</b>	15.00" and 16.50"	<b>Brake App.</b>	Eaton Style
<b>Info.</b>	15.00" reduced envelope and drive axle 16.50" extended service brakes		
			

CRK11450B*			
<b>Brake Size</b>	16.50"	<b>Brake App.</b>	Hendrickson Intraax Style
<b>Info.</b>	16.50" brakes 2.00" seal/bushing OD		
			

CRK11897B**, CRK11897BW*			
<b>Brake Size</b>	16.50"	<b>Brake App.</b>	Hendrickson Intraax Style
<b>Info.</b>	16.50" brakes 1.50" journal		
			

CRK11910B*			
<b>Brake Size</b>	12.25" and 16.50"	<b>Brake App.</b>	Spicer Style
<b>Info.</b>	12.25" and 16.50" brakes with 1.63" journal		
			

\*Bronze Bushings, \*\* Brass Bushings



---

# SLACK ADJUSTERS

---



OUTPERFORM  
OUTLAST  
OUTCLASS

- ✓ Premium OE quality
- ✓ Wide range of applications
- ✓ Exact like-for-like form, fit, and function
- ✓ Tight tolerances for durability



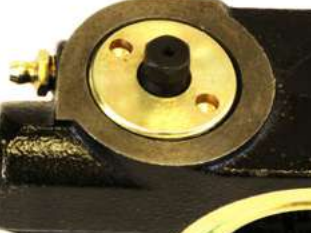









# SLACK ADJUSTERS


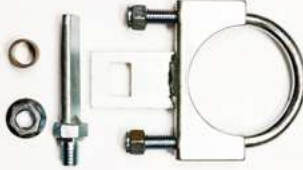

**A. Find the correct slack style.**

<p><b>B Style</b></p> 	 <p>Offset link arm</p>	<p>0.56" adjuster nut</p> 	<p>1.00" collar lock nut</p> 
---	--	--	--

<p><b>G Style</b></p> 	 <p>Offset link arm</p>	<p>0.44" adjuster nut</p> 	<p>1.25" collar lock nut</p> 
--	---	--	--

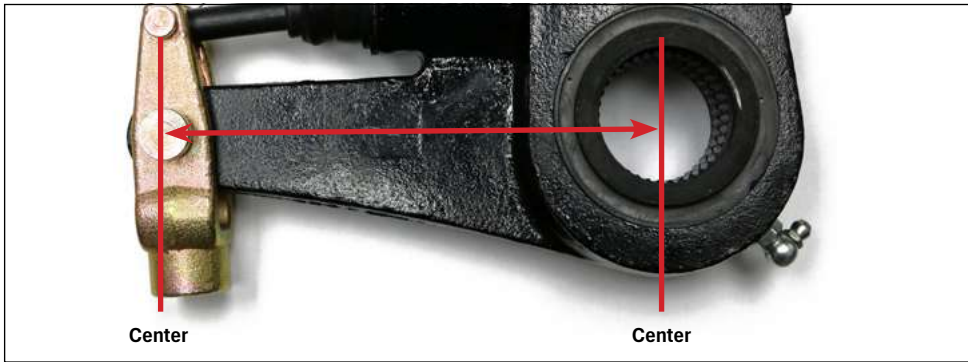
<p><b>H Style &amp; H Self-Setting Style (S-ABA)</b></p> 	 <p>No link arm</p>	<p>0.44" adjuster nut</p> 	 <p>Large indicator plate</p> 
--	--	--	--

**H Style: Hardware Styles**

 <p>Plate and flat stud</p>	 <p>Clamp</p>	 <p>Strap</p>
--	---	--



**B. Measure the arm length.**



**C. Measure the spline size.**



**D. Count the splines.**



**E. Use the chart to find the correct slack adjuster.**

<b>A</b>	<b>B</b>	<b>C</b>	<b>D</b>	<b>H Style: Hardware Style M Style: Pawl Location</b>	<b>Application</b>	<b>Replaces</b>	<b>SilverbackHD Part #</b>
<b>Style</b>	<b>Arm(s) Length</b>	<b>Spline Size</b>	<b>Spline Count</b>				
B	5.50"	1.50"	10		Drive or Trailer	065700, 065170	ASB65700
B	5.50"	1.50"	28		Drive or Trailer	065247, 065174	ASB65247
B	6.00"	1.50"	10		Drive or Trailer	065344, 065172	ASB65344
B	6.00"	1.50"	28		Drive or Trailer	065175, 065176	ASB65175
G	5.50"	1.25"	10		Steer Axle (Steer)	AS1136	ASG1136
G	5.50"	1.25"	24		Steer Axle (Steer)	AS1138	ASG1138
G	5.50"	1.50"	10		Drive Axle and Steer Axle	AS1132	ASG1132
G	5.50"	1.50"	28		Drive Axle and Steer Axle	AS1140	ASG1140
G	6.00"	1.50"	10		Drive Axle (Rear)	AS1133	ASG1133
G	6.00"	1.50"	10		Trailer Axle	AS1147	ASG1147
G	6.00"	1.50"	28		Drive Axle (Rear)	AS1141	ASG1141
G	6.00"	1.50"	28		Trailer Axle	AS1150	ASG1150
G	6.50"	1.50"	28		Drive Axle (Rear)	AS1142	ASG1142
H	5.00", 6.00"	1.50"	10	Strap	Drive Axle (Drive Mack Style)	40010142	ASH40010142
H	5.00", 6.00"	1.50"	28	Strap	Drive Axle (Drive)	40010140	ASH40010140
H	5.00", 6.00"	1.50"	28	Strap	Drive Axle (Drive), S-ABA	40020234	ASH40020234
H	5.50"	1.25"	10	Clamp	Steer Axle (Std)	40010001	ASH40010001
H	5.50"	1.25"	10	Strap	Steer Axle (Non-Std)	40010013	ASH40010013
H	5.50"	1.50"	10	Strap	Drive Axle (Drive)	40010143	ASH40010143
H	5.50"	1.50"	10	Strap	Drive Axle (Drive), S-ABA	40020228	ASH40020228
H	5.50"	1.50"	10	Strap	Drive Axle (Drive K/W 8 Bag)	40010155	ASH40010155
H	5.50"	1.50"	10	Plate and Flat Stud	Trailer 16.50"	40010215	ASH40010215
H	5.50"	1.50"	28	Strap	Steer Axle (Std)	40010070	ASH40010070
H	5.50"	1.50"	28	Strap	Steer Axle (Std), S-ABA	40020241	ASH40020241
H	5.50"	1.50"	28	Strap	Drive Axle (Drive Mack Style)	40010141	ASH40010141
H	5.50"	1.50"	28	Strap	Drive Axle (Drive Mack Style), S-ABA	40010141	ASH40020231
H	5.50"	1.50"	28	Strap	Drive Axle (Drive K/W 8 Bag)	40010156	ASH40010156
H	5.50"	1.50"	28	Plate and Flat Stud	Trailer 16.50"	40010211	ASH40010211
H	5.50"	1.50"	28	Plate and Flat Stud	Trailer 16.50", S-ABA	40020211	ASH40020211
H	6.00"	1.50"	10	Clamp	Drive Axle (Drive Mack Style)	40010145	ASH40010145
H	6.00"	1.50"	10	Plate and Flat Stud	Trailer 16.50"	40010216	ASH40010216
H	6.00"	1.50"	10	Plate and Flat Stud	Trailer 12.25"	40010306	ASH40010306
H	6.00"	1.50"	28	Clamp	Drive Axle (Drive Mack Style)	40010144	ASH40010144

<b>A</b>	<b>B</b>	<b>C</b>	<b>D</b>	<b>H Style: Hardware Style M Style: Pawl Location</b>	<b>Application</b>	<b>Replaces</b>	<b>SilverbackHD Part #</b>
<b>Style</b>	<b>Arm(s) Length</b>	<b>Spline Size</b>	<b>Spline Count</b>				
H	6.00"	1.50"	28	Plate and Flat Stud	Trailer 16.50"	40010212	ASH40010212
H	6.00"	1.50"	28	Plate and Flat Stud	Trailer 16.50", S-ABA	40020212	ASH40020212
H	6.00"	1.50"	28	Plate and Flat Stud	Trailer 12.25"	40010305	ASH40010305
H	6.00"	1.63"	37	Plate and Flat Stud	Trailer 16.50"	40010214	ASH40010214
M	5.50"	1.50"	10	Unhanded or 3	Steer/Drive/Trailer Axle	R801041	ASM801041
M	5.50"	1.50"	28	Unhanded or 3	Steer/Drive/Trailer Axle	R801073	ASM801073
M	5.50"	1.50"	28	Unhanded or 3	Steer	R801079	ASM801079
M	5.50"	1.50"	28	Handed Type A or 1	Steer/Drive/Trailer Axle	R802446	ASM802446
M	5.50"	1.50"	28	Handed Type B or 2	Steer/Drive/Trailer Axle	R802447	ASM802447
M	6.00"	1.50"	10	Unhanded or 3	Steer/Drive/Trailer Axle	R801042	ASM801042
M	6.00"	1.50"	28	Unhanded or 3	Drive/Trailer Axle	R801074	ASM801074
M	6.00"	1.50"	28	Handed Type A or 1	Drive/Trailer Axle	R802486	ASM802486
M	6.00"	1.50"	28	Handed Type B or 2	Steer/Drive/Trailer Axle	R802487	ASM802487
M	6.00"	1.63"	37	Unhanded or 3	Trailer Fruehauf Style	R801102	ASM801102

---

# HYDRAULIC DISC CALIPERS

---



**SILVERBACK**

OUTPERFORM  
OUTLAST  
OUTCLASS

- ✓ New – no cores!
- ✓ High-grade D5506 ductile iron
- ✓ Single-unit, dual-purpose designs fit both sides
- ✓ Heat- and corrosion-resistant pistons and seals



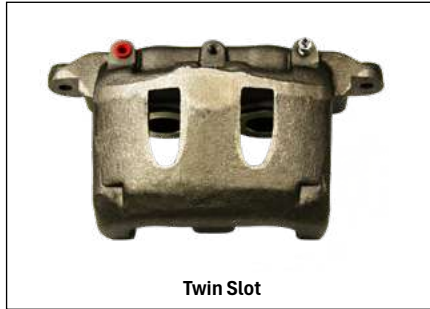
# HYDRAULIC DISC CALIPERS

**A. Identify the style.**

- Single Slot: Bendix style
- Twin Slot: Bosch or TRW styles
- Large Cavity: Dayton or Meritor styles



Single Slot



Twin Slot



Large Cavity

**B. Count the pistons.**

- Two: Bendix, Bosch, Dayton, or TRW styles
- Four: Meritor style

**C. Measure the piston diameter.**

- Standard (2.50", 2.60", 2.88"): Bendix or Dayton styles
- Metric (60mm, 66mm, 70mm, 73mm): Bosch, Meritor, or TRW styles



Piston Diameter Measurement

**D. Count the TOTAL mounting holes.**

- None: Bendix or Dayton styles
- Two: Bosch or TRW styles
- Four or Six: Meritor style

**E. Determine right or left.**

**Note:** Some calipers will have an OE casting number.



Casting Number

**Note:** Components included with noted calipers (see table)



Hardware Kit HK11HH754 (55CL849 & 55CL850)



HK71HH18-19CP Crossover Tube



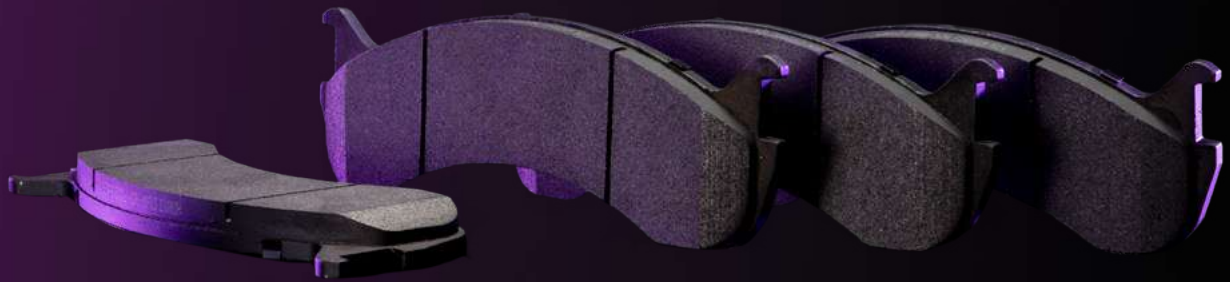
HK71HH18-19BS Bleeder screws

A Style (Top Opening)	B Piston Count	C Piston Dia.	D Mounting Holes	E Side	Casting Number	Mfr. Style	SilverbackHD Part #s		
							Disc Pad (SD: Severe Duty)	Caliper	
Single Slot	Two	2.60"	None	Right/ Left	4151733	Bendix Style	D184-7806CE	55CL314	
Single Slot	Two	2.88"	None	Right/ Left	4150344, 4150844	Bendix Style	D225-7808CE, D225-7808SD	55CL250	
Twin Slot	Two	60.0mm	2 (1 each side)	Right	130307, 142298	TRW Style	D1066-7972CE, D1066-7972SD	14CL7076	
Twin Slot	Two	60.0mm	2 (1 each side)	Left	130307, 142298	TRW Style	D1066-7972CE, D1066-7972SD	14CL7077	
Twin Slot	Two	66.0mm	2 (1 each side)	Right/ Left	4153269	Bosch Style	D786A-7654CE-THIN, D786A-7654SD-THIN	55CL849	Hardware Kit HK11HH754
Twin Slot	Two	73.0mm	2 (1 each side)	Right/ Left	4153222	Bosch Style	D786-7655CE-THICK, D786-7655SD-THICK	55CL850	Hardware Kit HK11HH754
Large Cavity	Two	2.50"	None	Right/ Left	22602	Dayton Style	D224-7807CE	55CL251	
Large Cavity	Two	2.88"	None	Right/ Left	0456, 0578	Dayton Style	D236-7809CE	55CL252	
Large Cavity	Four	64.0mm	4 (2 each side)	Right/ Left	595-597, 581-583	Meritor Style	D769-7636CE, D769-7636SD	14CL684014-5	Includes components: HK71HH18-19CP, HK71HH18-19BS
Large Cavity	Four	70.0mm	4 (2 each side)	Right/ Left	595-597, 581-583	Meritor Style	D769-7636CE, D769-7636SD	14CL684012-3	Includes components: HK71HH18-19CP, HK71HH18-19BS
Large Cavity	Four	70.0mm	6 (3 each side)	Right/ Left	595-597, 9187, 9188	Meritor Style	D769-7636CE, D769-7636SD	13CL706-7	Includes components: HK71HH18-19CP, HK71HH18-19BS

---

# HYDRAULIC DISC PADS

---



**SILVERBACK<sup>®</sup>** OUTPERFORM  
OUTLAST  
OUTCLASS

- ✓ Ceramic-enhanced friction runs cooler and lasts longer
- ✓ High-torque design for safe, quiet stops
- ✓ Severe duty also available



# HYDRAULIC DISC PADS

- A. Identify the style of the pads.**
- B. Measure the pad's overall length.**
- C. Measure the pad's overall height.**
- D. Check identifiers.**

**NOTE:**

When measuring length and height:

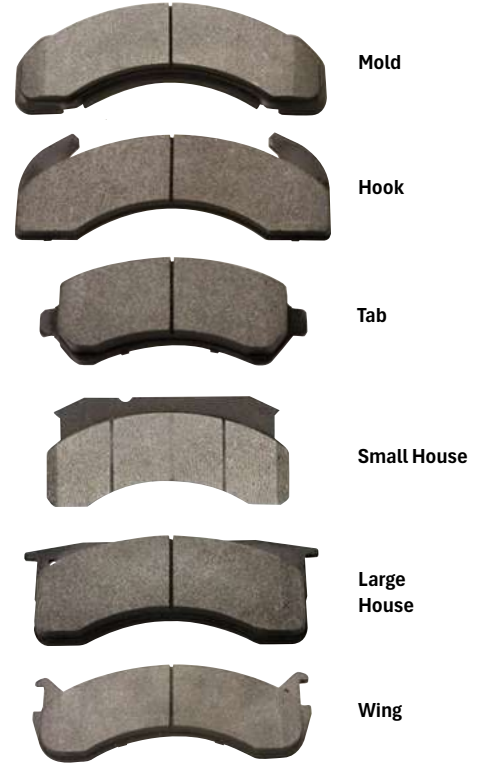
- **INCLUDE** the shim
- **DO NOT INCLUDE** squealer tab



Overall Length



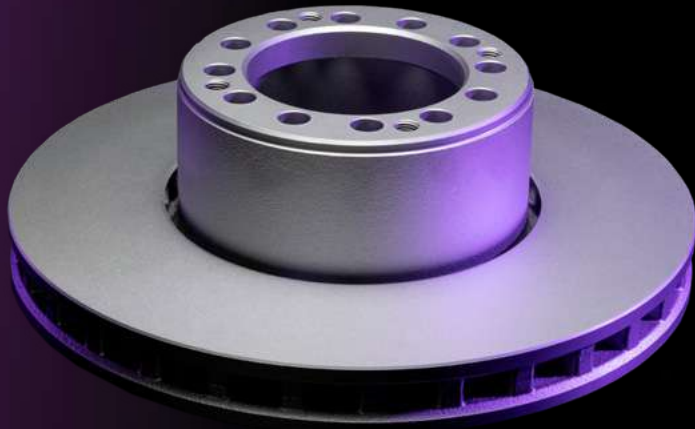
Overall Height



Hydraulic Disc Brakes

A	B	C	D	SilverbackHD Part #s	
Style	Overall Length	Overall Height	Identifiers	Caliper	Pad Set (SD: Severe Duty)
Hook Tab	269.5mm (10.61") Hook pad 205.0mm (8.07") Tab pad	100.0mm (3.93") 80.0mm (3.15")		55CL250	D225-7808CE, D225-7808SD
Large house	240.0mm (9.45")	88.6mm (3.49")	Replaces D1032 and D1418	13CL706-7, 14CL684012-3, 14CL684014-5	D769-7636CE, D769-7636SD
Mold Tab	254.0mm (10.03") Mold pad 205.0mm (8.07") Tab pad	97.5mm (3.83") 80.0mm (3.15")		55CL314	D184-7806CE
Small house	213.4mm (8.40")	101.5mm (3.96")		55CL251	D224-7807CE
Small house	228.6mm (9.00")	102.6mm (4.04")		55CL252	D236-7809CE
Wing	222.0mm (8.74")	64.5mm (2.54")		14CL7076, 14CL7077	D1066-7972CE, D1066-7972SD
Wing	244.1mm (9.61")	85.1mm (3.35")	Fits 73.0mm caliper plate/ friction 26.8mm (1.05")	55CL850	D786-7655CE-THICK, D786-7655SD-THICK
Wing	244.1mm (9.61")	85.1mm (3.35")	Fits 66.0mm caliper plate/ friction 20.3mm (0.80")	55CL849	D786A-7654CE-THIN, D786A-7654SD-THIN





**SILVERBACK<sup>HD</sup>** OUTPERFORM  
OUTLAST  
OUTCLASS

- ✓ High-carbon grey iron provides excellent heat dissipation for longer brake life
- ✓ Precision mill-balanced
- ✓ Patented GEOMET<sup>®</sup> corrosion protection
- ✓ Complete hardware set included, where applicable

---

# HYDRAULIC DISC ROTORS

---



**WISDOM<sup>®</sup>**  
RELIABLE · REASONABLE

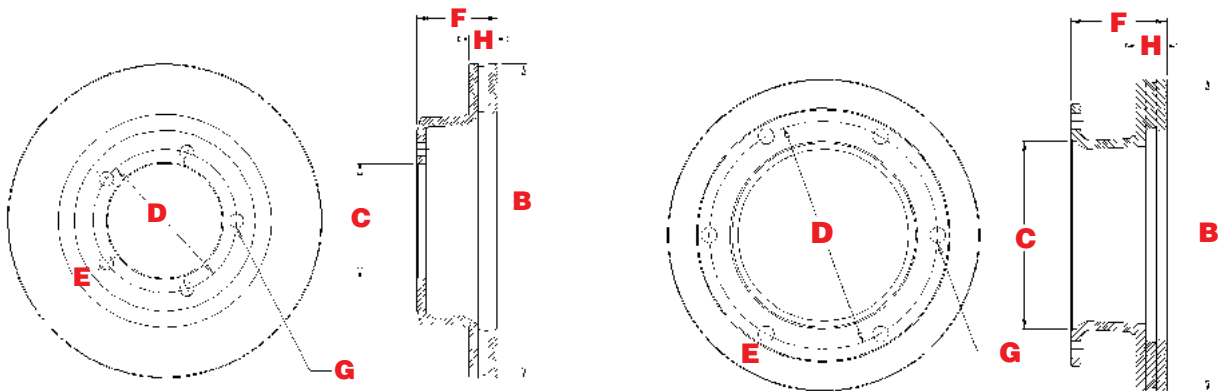
- ✓ Precision mill-balanced



# HYDRAULIC DISC ROTORS

- A. Identify the style: Flat, Hat or U Type.**
- B. Measure the overall diameter.**
- C. Measure the pilot diameter.**
- D. Measure the bolt circle diameter from center of bolt holes.**
- E. Count the bolt holes.**
- F. Measure the overall depth.**
- G. Measure the bolt hole size.**
- H. Measure the thickness or see minimum thickness stamped or cast on rotor.**

Lastly, note whether it has any features such as ABS rings or ABS ring drill holes.



A	B	C	D	E	F	G	H	Special Info.	SilverbackHD Part #	Wisdom Part #
Style	Overall Diameter	Pilot Diameter	Bolt Circle	Bolt Hole Qty.	Overall Depth	Bolt Hole Size	Disc Thickness			
Flat	389.9mm (15.35")	187.5mm (7.38")	219.7mm (8.65")	10	48.5mm (1.91")	13.5mm (0.53")	39.1mm (1.54")	Hardware included	19HR996G	19HR996W
Hat	374.4mm (14.74")	137.2mm (5.40")	171.5mm (6.75")	5	96.5mm (3.80")	16.5mm (0.65")	34.0mm (1.34")		54HR102G	
Hat	381.0mm (15.00")	137.2mm (5.40")	171.5mm (6.75")	5	88.9mm (3.50")	19.8mm (0.78")	36.6mm (1.44")	ABS ready	54HR769G	54HR769W
Hat	381.0mm (15.00")	137.2mm (5.40")	171.5mm (6.75")	6	88.9mm (3.50")	19.8mm (0.78")	36.6mm (1.44")	ABS ready	54HR770G	
Hat	381.0mm (15.00")	152.4mm (6.00")	184.1mm (7.25")	10	81.3mm (3.20")	14.7mm (0.58")	36.6mm (1.44")	ABS ready	54HR773G	54HR773W
Hat	381.0mm (15.00")	152.4mm (6.00")	184.1mm (7.25")	10	112.8mm (4.44")	14.7mm (0.58")	36.6mm (1.44")	ABS ready	54HR771G	54HR771W

<b>A</b>	<b>B</b>	<b>C</b>	<b>D</b>	<b>E</b>	<b>F</b>	<b>G</b>	<b>H</b>	<b>Special Info.</b>	<b>SilverbackHD Part #</b>	<b>Wisdom Part #</b>
<b>Style</b>	<b>Overall Diameter</b>	<b>Pilot Diameter</b>	<b>Bolt Circle</b>	<b>Bolt Hole Qty.</b>	<b>Overall Depth</b>	<b>Bolt Hole Size</b>	<b>Disc Thickness</b>			
Hat	389.9mm (15.35")	139.5mm (5.49")	163.3mm (6.43")	10	124.0mm (4.88")	13.0mm (0.51")	39.1mm (1.54")		14HR1394G	
Hat	390.7mm (15.38")	152.4mm (6.00")	184.2mm (7.25")	10	86.4mm (3.40")	14.7mm (0.58")	39.1mm (1.54")	ABS ready	54HR775G	54HR775W
U Type	381.0mm (15.00")	241.3mm (9.50")	285.8mm (11.25")	10	180.6mm (7.11")	26.9mm (1.06")	36.6mm (1.44")	ABS ready	61HR78AMG	61HR78AMW
U Type	381.0mm (15.00")	241.3mm (9.50")	285.8mm (11.25")	10	180.6mm (7.11")	20.61mm (0.81")	36.6mm (1.44")	ABS ready	61HR78MG	
U Type	390.9mm (15.39")	231.7mm (9.12")	285.8mm (11.25")	10	193.0mm (7.60")	23.9mm (0.94")	39.1mm (1.54")	ABS ready	54HR365G	54HR365W



# HYDRAULIC DISC QUICK REFERENCE

Calipers	Pad Sets	Rotors		Applications
		SilverbackHD Part # & Notes	SilverbackHD Part #	
13CL706-7 70mm Meritor L&R 3 hole	D769-7636CE, D736-7636SD	19HR996G, 54HR769G, 54HR771G, 54HR773G	19HR996W, 54HR769W, 54HR771W, 54HR773W	Ford, IHC
14CL7076 60mm TRW Right	D1066-7972CE, D1066-7972SD	14HR1394G		IHC TerraStar
14CL7077 60mm TRW Left	D1066-7972CE, D1066-7972SD	14HR1394G		IHC TerraStar
14CL684012-3 70mm Meritor L&R 2 hole	D769-7636CE, D769-7636SD	19HR996G, 54HR769G, 54HR771G, 54HR773G	19HR996W, 54HR769W, 54HR771W, 54HR773W	Ford, IHC
14CL684014-5 64mm Meritor L&R 2 hole	D769-7636CE, D769-7636SD	19HR996G, 54HR769G, 54HR771G, 54HR773G	19HR996W, 54HR769W, 54HR771W, 54HR773W	Ford, IHC
55CL250 2.88" Bendix	D225-7808CE, D225-7808SD	54HR365G, 54HR769G, 54HR770G, 54HR771G, 54HR773G, 54HR775G	54HR365W, 54HR769W, 54HR770W, 54HR771W, 54HR773W, 54HR775W	Freightliner, IHC, Thomas
55CL314 2.60" Bendix	D184-7806CE	54HR771G, 54HR773G	54HR771W, 54HR773W	Ford, Freightliner
55CL849 66mm Bosch	D786A-7654CE-THIN, D786A-7654SD-THIN	54HR365G, 54HR769G, 54HR770G, 54HR771G, 54HR773G, 54HR775G	54HR365W, 54HR769W, 54HR770W, 54HR771W, 54HR773W, 54HR775W	Freightliner, IHC, Sterling, Thomas
55CL850 73mm Bosch	D786-7655CE-THICK, D786-7655SD-THICK	54HR365G, 54HR769G, 54HR770G, 54HR771G, 54HR773G, 54HR775G	54HR365W, 54HR769W, 54HR770W, 54HR771W, 54HR773W, 54HR775W	Freightliner, IHC, Sterling, Thomas

Hydraulic Disc Brakes

## HYDRAULIC DISC ROTORS: SPECS

SilverbackHD Part #	Wisdom Part #	Disc Thickness	Style	Overall Dia.	Disc Thickness	Overall Depth	Pilot Dia.	Bolt Circle	Bolt Hole Qty.	Bolt Hole Size	Notes
14HR1394G		1.47"	Hat	15.35"	1.54"	4.88"	5.49"	6.43"	10	0.51"	
19HR996G	19HR996W	1.42"	Flat	15.35"	1.54"	1.91"	7.38"	8.65"	10	0.53"	Hardware included
54HR102G		1.23"	Hat	14.74"	1.34"	3.80"	5.40"	6.75"	5	0.65"	
54HR365G	54HR365W	1.42"	U Type	15.38"	1.54"	7.60"	9.12"	11.25"	10	0.94"	ABS ready
54HR769G	54HR769W	1.32"	Hat	15.00"	1.44"	3.50"	5.40"	6.75"	5	0.78"	ABS ready
54HR770G		1.32"	Hat	15.00"	1.44"	3.50"	5.40"	6.75"	6	0.78"	ABS ready
54HR771G	54HR771W	1.32"	Hat	15.00"	1.44"	4.44"	6.00"	7.25"	10	0.58"	ABS ready
54HR773G	54HR773W	1.32"	Hat	15.00"	1.44"	3.20"	6.00"	7.25"	10	0.58"	ABS ready
54HR775G	54HR775W	1.42"	Hat	15.38"	1.54"	3.40"	6.00"	7.25"	10	0.58"	ABS ready
61HR78AMG	61HR78AMW	1.32"	U Type	15.00"	1.43"	7.11"	9.50"	11.25"	10	1.06"	ABS ready
61HR78MG		1.32"	U Type	15.00"	1.43"	7.11"	9.50"	11.25"	10	0.81"	ABS ready

# HYDRAULIC DISC CALIPERS AND PADS: SPECS

SilverbackHD Calipers							SilverbackHD Pad Sets				
SilverbackHD Caliper Part #	Casting Number	Piston Count	Side	Piston Dia.	Mounting Holes	Mfr. Style	SilverbackHD Pad Set Part # (SD: Severe Duty)	Style	Overall Length	Overall Height	Thickness Including Plate
14CL7076, 14CL7077	130307, 142298	Two	14CL7076 (left), 14CL7077 (right)	60mm	Two (1 each side)	TRW	D1066-7972CE, D1066-7972SD	Wing	222.0mm (8.74")	64.50mm (2.54")	20.3mm (0.80")
55CL314	4151733	Two	Left or Right	2.60"	None	Bendix	D184-7806CE	Mold Tab	254mm (10.03"), 205mm (8.07")	97.5mm (3.83"), 80mm (3.15")	16.00mm (0.63"), 21.8mm (0.85")
55CL251	22602.00	Two	Left or Right	2.50"	None	Dayton	D224-7807CE	Small house	213.43mm (8.40")	101.5mm (3.96")	18.5mm (0.73")
55CL250	4150344, 4150844	Two	Left or Right	2.88"	None	Bendix	D225-7808CE, D225-7808SD	Hook Tab	269.5mm (10.61"), 205mm (8.07")	100mm (3.93"), 80.0mm (3.15")	22.3mm (0.87"), 26.5mm (1.04")
55CL252	0456, 0578	Two	Left or Right	2.88"	None	Dayton	D236-7809CE	Small house	228.6mm (9.00")	102.6mm (4.04")	25.1mm (0.98")
13CL706-7, 14CL684012-3, 14CL684014-5	595-597, 581-583, 9187-9188	Four	Left or Right	13CL706-7 (70mm), 14CL684012-3 (70mm), 14CL684014-5 (64mm)	13CL706-7 (6), 14CL684012-3 (4), 14CL684014-5 (4)	Meritor	D769-7636CE (D1032, D1418), D769-7636SD	Large house	240.0mm (9.45")	88.64mm (3.49")	25.2mm (1.0")
55CL849	4153269	Two	Left or Right	66mm	Two (1 each side)	Bosch	D786-7655CE-THICK, D786-7655SD-THICK	Wing	244.1mm (9.61")	85.09mm (3.35")	26.8mm (1.05")
55CL850	4153222	Two	Left or Right	73mm	Two (1 each side)	Bosch	D786A-7654CE-THIN, D786A-7654SD-THIN	Wing	244.1mm (9.61")	85.09mm (3.35")	20.3mm (0.80")

---

# PARKING BRAKE SHOE KITS

---



**SILVERBACK**<sup>®</sup> OUTPERFORM  
OUTLAST  
OUTCLASS

- ✓ No cores!
- ✓ Includes two new lined shoes with all return springs for easy fitment



## PARKING BRAKE SHOE KITS

- A. Identify drum diameter.**
- B. Identify shoe width (see photo).**



- C. Identify unique features.**



- D. Use the table below to identify correct shoe required.**

A	B	C	Application	FMSI	Replaces	SilverbackHD Part #
Drum Diameter	Shoe Width	Unique Features				
9.00"	3.00"	Shallow seat, shoe actual width 8.50"	GM, Dodge, Isuzu & International Styles	S647-2086	597577C92, 1798087, S-5829, 2086PB	EB2086G
9.00"	3.00"	Deep seat, shoe actual width 8.50"	Ford Style	S646-2086	S-5828, 2086PBH	EB2086
10.00"	3.00"	Shoe actual width 9.00"	International Truck & Bus Styles	1303	A2-3722-G-501, A-3722-G-501, 3722-E-499, 3722-C-497, 388912C91, S-A173, 1303PB	EB1303
12.00"	3.00"	Adjuster cable guide and hold down pin on one shoe, shoe actual width 11.25"	International Truck & Bus, Ford, Freightliner and Workhorse Styles	1653	2605826C91	EB1653
12.00"	4.00"	Shoe actual width 10.75"	Clark, Dana, Allison, Ford & International Styles	2085	A3-3722-E-421, A-3722-E-421, 3722-Y-415, 3722-W-413, S-3502, 2085PB	EB2085





**SILVERBACK**®  
OUTPERFORM  
OUTLAST  
OUTCLASS

- ✓ Premium-quality rubber
- ✓ Boxed – includes both top and bottom fasteners

---

# AIR SPRINGS

---



**WISDOM**®  
RELIABLE · REASONABLE

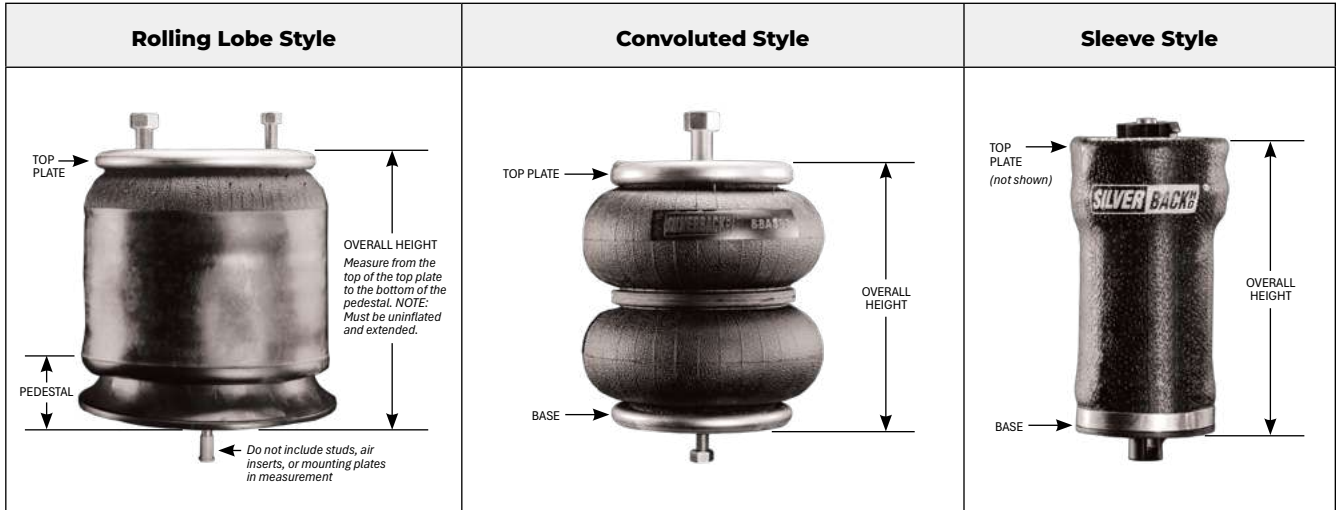
- ✓ Unboxed – includes top fasteners



# AIR SPRINGS

**Note:** If a part or bellow number is legible on the air spring, use the Cross Reference tool on our website at [www.SilverbackHD.com](http://www.SilverbackHD.com) to find our part number.

**A. Determine the style of your air spring.**



**B. Determine the air spring's overall height.**

This is the measurement from the top of the top plate to the bottom of the pedestal/base. Be sure to measure when uninflated and fully extended. Do not include items such as studs, air inserts, or plates mounted to the top plate in the overall height dimension.

**C. Use the drawings on the following pages to identify the correct air spring. Products are sorted by height and there may be several options for each. You may need to determine:**

- **Top plate:**
  - Width
  - Bolt pattern, offset distance from center (if applicable)
  - Quantity of bolts/air inserts
- **Pedestal/base:**
  - Width and height
  - Bolt/stud patterns, size, length, orientation of offset distance from center (if applicable)

<p><b>Rolling Lobe Style</b> Pg 94</p> <p><b>Convuluted Style</b> Pg 107</p> <p><b>Sleeve Style</b> Pg 109</p>
--

*CAUTION: Other manufacturers mold a number into the bellow which is specific to the bellow only, not the assembly item. This bellow can be assembled with a variety of top plates and pedestals to create several assembly options. Unlike other manufacturers, SilverbackHD Inc. molds the assembly part number into our bellow for a 100% accurate ID every time. Contact the SilverbackHD Inc. technical department for assistance at 1-855-848-8324.*

SilverbackHD Part #*	Wisdom Part #**	Cross Section	Top Plate	Bottom Plate	Replaces
96AS22	96AS22W				1R11-221, 1R11-280, 352-9622, 65367, AB1DK20G-9622, ABPN32019622, AGA9622, AS8537, AS9622, AS96220, FS9622, K-303-22, W01-358-9622, WA01-9622C
95AS47	95AS47W				452-9547, 68358, AB1DK20G-9547, AS8859, AS9547, AS95470, C81-1004, FS9547, W01-358-9547, WA01-9547C
95AS41	95AS41W				1R11-268, 452-9541, 66109, AB1DK20H-9541, AGA9541, AS8861, AS9541, AS95410, C81-1005, FS9542, W01-358-9541
90AS39	90AS39W				1013589039C, 12TA-1-2, 1R12-095, 200457, 21208939, 21216135, 300-961250, 3130492, 352-9039, 554766C1, 64260, 85101153, 90044199, 90054234, 90557011, 90557023, 90557085, AB1DK23F-9039, AS-0012, AS9039, AS90390, FS9039, S-11650, S-2064, TR9039, AS-8311, W01-358-9039, WA01-9039C
93AS07	93AS07W				17360-01, 1R12-435, 452-9307, 64439, 90557129, AB1DK23F-9307, AS-8471, AS9307, AS93070, FS9307, TR9307, W01-358-9307, WA01-9307C

\*SilverbackHD Air Springs are boxed and include fasteners for both top plate and pedestal installations.

\*\*Wisdom Air Springs are not boxed and have the top plate fasteners attached.

SilverbackHD Part #*	Wisdom Part #**	Cross Section	Top Plate	Bottom Plate	Replaces
98AS07	98AS07W				1R12-1047, 352-9807, 50857000, 68151, 90557372, AB1DK23I-9807, AGA9807, AS8874, AS9807, AS98070, FS9807, W01-358-9807, WA01-9807C
96AS16	96AS16W				1R11-242, 352-9616, 64256, AB1DK23P-9616, AS8515, AS9616, AS96160, FS9616, K-303-16, W01-358-9616
82AS04	82AS04W				1R12-1078, 1R12-508, 352-8204, 64456, 90557173, 90557223, AB1DK23H-8204, AGA8204, AS8204, AS82040, AS8484, FLTA1R12508, FS8204, W01-358-8204, WA01-8204C, XDSPN05360
94AS22	94AS22W				1003589422C, 1R11-028, 1R11-279, 352-9422, 554762C1, 57009422, 64255, 85101148, AB1DK20D-9422, ABPN32019422, AGA9422, AS-0017, AS8314, AS9422, AS94220, FLTA1R11028, FS9422, K-303-14, K-303-6, K-305-15, S-13032, W01-358-9422, WA01-9422C
96AS34	96AS34W				1R12-636, 1R12636, 9634, AB1DK23I-9634, AB1DK23I9634, FS9634, W01-358-9634, WA01-9634C, WA019634C

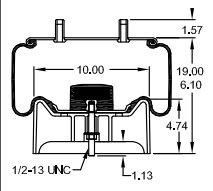
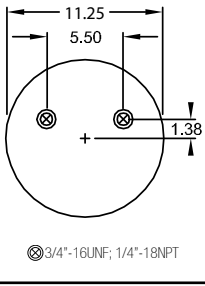
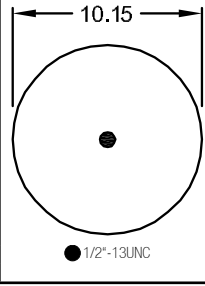
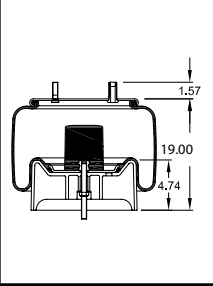
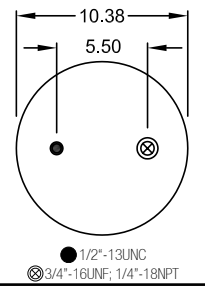
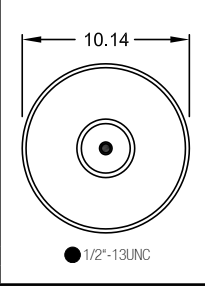
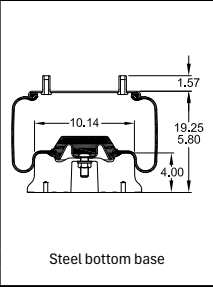
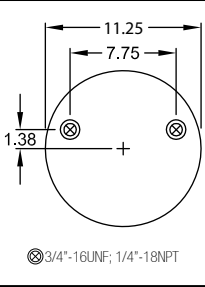
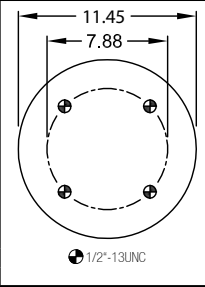
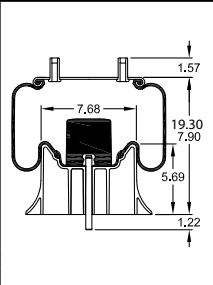
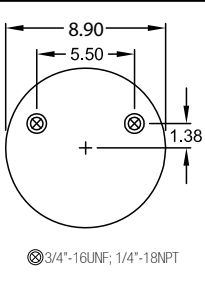
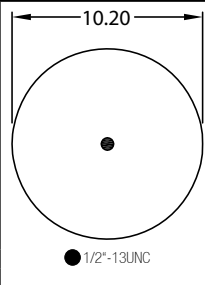
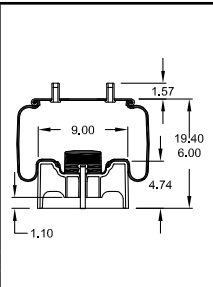
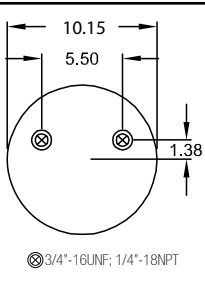
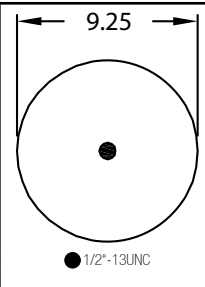
\*SilverbackHD Air Springs are boxed and include fasteners for both top plate and pedestal installations.

\*\*Wisdom Air Springs are not boxed and have the top plate fasteners attached.

SilverbackHD Part #*	Wisdom Part #**	Cross Section	Top Plate	Bottom Plate	Replaces
92AS70	92AS70W	<p>Aluminum bottom base</p>	<p>⊗ 3/4"-16UNF; 1/4"-18NPT</p>	<p>● 1/2"-13UNC</p>	1003589270C, 1R13-119, 1R13-259, 352-9270, 64287, 85101147, AB1DK23I-9270, ABPN32019270, AGA9270, AS-0084, AS8433, AS9270, AS92700,C-20010, C-20559, C-21208, FLTA1R13119, FS9270, S-20010, S-21208, S20559, W01-358-9270, WA01-9270C
88AS06	88AS06W		<p>● 1/2"-13UNC ⊗ 3/4"-16UNF; 1/4"-18NPT</p>	<p>● 1/2"-13UNC</p>	1R12-445, 1003588806C, 64486, AB1DK23I-8806, AS-0183AS-8545, AS8806, AS88060, FS8806, W01-358-8806
87AS82	87AS82W		<p>⊗ 3/4"-16UNF; 1/4"-18NPT</p>	<p>● 1/2"-13UNC</p>	1001R13109G, 1R13-109, 452-8782, 66340, AB1DK258-8782, AS87820, AS8871, FS8782, W01-358-8782
90AS69	90AS69W		<p>● 3/8"-16UNC ⊗ 1/2"-14NPT</p>	<p>● 1/2"-13UNC</p>	03-01649, 03-02038, 03-02456, 03-04759, 03-06746, 03-07112, 03-10042, 1003589069C, 1R12-069, 1R12-1069, 1R12-669, 352-9069, 554764C1, 57009069, 64274, 85101145, AB1DK23I-9069, ABPN32019069, AGA9069, AS-0077, AS8312, AS9069, AS90690, C81-6022, FLTA1R12069, FS9069, S-133031, W01-358-9069, WA01-9069C
57AS410	57AS410W	<p>Aluminum bottom base</p>	<p>⊗ 3/4"-16UNF; 1/4"-18NPTF</p>	<p>○ 1/2"-13UNC</p>	11 10.5E-16A214, 69701, 90557410, AB1DK28U-A214, AS02143, SP556214-KA,

\*SilverbackHD Air Springs are boxed and include fasteners for both top plate and pedestal installations.

\*\*Wisdom Air Springs are not boxed and have the top plate fasteners attached.

SilverbackHD Part #*	Wisdom Part #**	Cross Section	Top Plate	Bottom Plate	Replaces
80AS91	80AS91W				1R14-093, 1R14-171, 1R14-245, 352-8091, 64421, AB1DK28E-8091, AGA8091, AS8091, AS80910, AS8523, C-0901, FLTA1R14171, FS8091, S-20901, S-21784, W01-358-8091, WA01-8091C
85AS39	85AS39W				1R13-188, 452-8539, 78239, AB1DK25F-P1219, AR1VA105, AS-81219, AS8539, AS85390, FS8539, S-29892, SR1JA100, SR1VA101-1, TR8539, W01-358-8539
80AS50	80AS50W				1685174C1, 1R14-0383, 1R14-039, 1R14-055, 1R14-244, 3130498, 352-8050, 36514-13, 57008050, 64254, AB1DK28A-8050, ABPN32018050, AGA8050, AS-0039, AS8050, AS80500, AS8320, B-12514-013, B-4771, FLTA1R14039, FS8050, S-4771, W01-358-8050, WA01-8050C
99AS78	99AS78W				352-9978, 57588, AB1DK23I-A959, AS8959, AS9978, AS99780, FS9978, S-28929, W01-358-9978,
87AS09	87AS09W				1R13-159, 1R13-262, 352-8709, 64645, AB1DK25A-8709, ABPN32018709, AGA8709, AS8460, AS8709, AS87090, C-20900, C-21800, FLTA1R13159, FS8709, S-20900, S-21800, W01-358-8709, WA01-8709C

\*SilverbackHD Air Springs are boxed and include fasteners for both top plate and pedestal installations.

\*\*Wisdom Air Springs are not boxed and have the top plate fasteners attached.

SilverbackHD Part #*	Wisdom Part #**	Cross Section	Top Plate	Bottom Plate	Replaces
87AS55	87AS55W				1R13-124, 1R13-260, 352-8755, 64397, AB1DK25B-8755, AGA8755, AS8522, AS8755, AS87550, C-21623, C-22045, FLTA1R13124, FS8755, S-21623, S-22045, W01-358-8755, WA01-8755C
88AS29	88AS29W				1R12-1083, 1R12-615, 20396293, 20413888, 20505399, 352-8829, 3528829, 3934699, 57QL54M, 8079902, 8084296, 8097092, AB21DK23K-8829, AS8449, AS8829, AS88290, FLTA1R12615, FS8829, W01-358-8829, WA01-8829C
92AS13	92AS13W				1003589213C, 1660581C1, 1686386C1, 1R12-090, 3130495, 352-9213, 501559C1, 501559C2, 64308, AB1DK23K-9213, AS-8441, AS9213, AS92130, FS9213, S-13033, TR9213, W01-358-9213, WA01-9213C
98AS08	98AS08W				67247-002, W01-455-9808
97AS92	97AS92W				66255-002, W01-455-9792

\*SilverbackHD Air Springs are boxed and include fasteners for both top plate and pedestal installations.

\*\*Wisdom Air Springs are not boxed and have the top plate fasteners attached.

SilverbackHD Part #*	Wisdom Part #**	Cross Section	Top Plate	Bottom Plate	Replaces
96AS48	96AS48W				1R12-1080, 1R12-538, 2027911C1, 2027911C2, 2027911C3, 352-9648, 64263, AB1DK23M-9648, AGA9648, AS8456, AS9648, AS96480, FLTA1R12538, FS9648, W01-358-9648, WA01-9648C
96AS26	96AS26W				1R11-292, 452-9626, 64692, AB1DK20J-9626, AS-8568, AS9626, AS96260FS9626, S-23720, TR9626, W01-358-9626,
90AS26	90AS26W				03-06213, 1R12-567, 452-9036, 64306, ABIDK23K-9026, AS-8393, AS9026, AS90260, AS90260, FS9026, TR9026, W01-358-9026, WA01-9026C
90AS82	90AS82W				1003589082C, 12882-01, 1R12-092, 1R12-1070, 3130491, 352-9082, 36514-7, 517559C9, 57QL310, 64269, 90044200, 90044647, 90557027, 90557033, 90557037, 90557054, 90557075, AB1DK23K-9082, AGA9082, AS-0011, AS8310, AS9082, AS90820, B-12514-007, FLTA1R12092, FS9082, S-11651, S-13159, S-2066, S-4041, W01-358-9082, WA01-9082C
87AS74	87AS74W				1R14-172, 352-8774, 65593, AB1DK28M-8774, AS-0159, AS8774, AS87740, FS8774, S-25873, W01-358-8774, WA01-358-8774

\*SilverbackHD Air Springs are boxed and include fasteners for both top plate and pedestal installations.

\*\*Wisdom Air Springs are not boxed and have the top plate fasteners attached.

SilverbackHD Part #*	Wisdom Part #**	Cross Section	Top Plate	Bottom Plate	Replaces
96AS44	96AS44W				452-9644, 64693, AB1DK23J-9644, AS-8569, AS96440, FS9644, S-23721, TR9644
84AS63	84AS63W				1R12-647, 20733034, 57QL519M, 74883, AB1D23H-P1153, AS-81153, AS11533, AS8463, AS84630, FS8463, W01-M58-8463
84AS68	84AS68W				1R12-1049, 1R12-654, 21132004, 21132005, 21244322, 21669088, 75561, ABIDF23H-P1206, AS-81206, AS8468, AS84680, FS8468, TR8468, W01-M58-8468
87AS08	87AS08W				1R13-177, 1R13-264, 452-8708, 4528708, 64638, AB1DK25E-8708, AS8526, AS8708, AS87080, FLTA1R13177, FS8708, S-21966, W01-358-8708, WA01-8708C
87AS13	87AS13W				1R13-140, 1R13-176, 1R13-263, 352-8713, 64636, AB1DK25E-8713, AS8533, AS8713, AS87130, C-22948, FLTA1R13176, FS8713, S-22948, W01-358-8713, WA01-8713C

\*SilverbackHD Air Springs are boxed and include fasteners for both top plate and pedestal installations.

\*\*Wisdom Air Springs are not boxed and have the top plate fasteners attached.

SilverbackHD Part #*	Wisdom Part #**	Cross Section	Top Plate	Bottom Plate	Replaces
93AS71	93AS71W				1670043C1, 1670073C1, 1686386C1, 1R12-1074, 1R12-401, 352-9371, 64290, AB1DK23P-9371, AS-0139, AS8521, AS9371, AS93710, CS112401, FS9371, W01-358-9371, WA01-9371C
99AS21	99AS21W				1R12-502, 352-9921, 64402, 90557117, AB1DK23P-9921, AS-0090, AS8443, AS9921, AS99210, FS9921, W01-358-9921, WA01-9921C
99AS36	99AS36W				1R12-499, 452-9936, 64405, 90557156, 90557300, AB1DK23P-9936, AS8454, AS9936, AS99360, FS9936, TR9936, W01-358-9936
93AS73	93AS73W				1R12-403, 2992101C1, 352-9373, 57122-1, 57122-2, 64265, 64336, AB1DK23M-9373, AGA9373, AS-0141, AS-0217G, AS8519, AS9373, AS93730, FLTA1R12403, FS9373, W01-358-9373, WA01-9373C
93AS75	93AS75W				1R12-1076, 1R12-404, 352-9375, 364SQ27, 50899-1, 50899-2, 57QL414M, 64264, AB1DK23P-9375, AS8451, AS9375, AS93750, FS9375, W01-358-9375, WA01-9375C

\*SilverbackHD Air Springs are boxed and include fasteners for both top plate and pedestal installations.

\*\*Wisdom Air Springs are not boxed and have the top plate fasteners attached.

SilverbackHD Part #*	Wisdom Part #**	Cross Section	Top Plate	Bottom Plate	Replaces
99AS74	99AS74W				1R12-1048, 352-9974, 67586, 90557332, AB1DK23P-9974, ABPN32019974, AS8930, AS9974, AS99740, FS9974, W01-358-9974
91AS21	91AS21W				1003589121C, 12882-02, 1R13-039, 3130503, 352-9121, 554773C1, 6424, 64272, 85101159, 90044702, 90054060, 90557010, 90557019, 90557052, 90557078, 90557083, 90557110, 90557324, AB1D28G-9121, AS-0013, AS-8317, AS9121, AS91210, FS9121, S-13160, TR9121, W01-358-9121
99AS35	99AS35W				1R12-532, 352-9935, 64412, 90557157, 90557301, AB1DK23P-9935, AS-0164-1G, AS8548, AS9935, AS99350, FS9935, W01-358-9935, WA01-9935C
97AS80	97AS80W				10089780C, 16-13810-000, 16-13810-001, 16-13810-002, 16-13840-000, 16-14004-000, 16-14004-001, 16-14377-000, 16-15595-000, 16-15595-001, 16-16773-000, 16-16825-000, 16-19465-000, 16-19466-000, 16-19467-000, 16-19468-000, 1R12-1072, 1R12-1082, 1R12-303, 1R12-603, 352-9780, 352-9781, 64266, 67473, 681-320-0017, 85101151, A16-13668-002, A16-14004-000, AB1DF23-9780, AB1DF23-9781, ABPN32018537, ABPN32019781, AGA9780, AGA9781, AS-0147-1G, AS-0182, AS-8382P, AS8382, AS8999, AS9780, AS97800, AS9781, AS97810, FLTA1R12303, FLTA1R12603, FS9780, FS9781, W01-358-9780, W01-358-9781, WA01-9780C, WA01-9781C
97AS81	97AS81W				09027, 1000-AS9781, 10089780C, 16-13840-000, 16-14004-000, 16-17575-000, 16-19465-000, 16-19466-000, 16-19768-000, 1614004000, 1R12-1082, 1R12-603, 1T15ZR-3, 352-9781, 452-9781L, 566, ER9781, 64266, 681-320-000-17, 73389, 77765, 7843-1R12603, 85101151, 8633-1R12603, 9 10S-16 A 382, 9 10S-16 A 999, 91016A382, 910S16A999, 9780RT, 9781, 9781RT, A 681 320 00 17, A16-14004-000, A16-20111-001, A6813200017, AB-9781, AB1DF23-9781, ABP N32 019781, AGA9781, AS PR9MR16-9781, AS-8382P, AS8382, AS8382P, AS8999, AS9781, AS97810, E1R12186, EFS9781, FAW013589781, FC109781, FLT1R12603, FLTA1R12603, FS8536, FS9781, FSIW013589781, FXAB1DF23-9781, GD1R12-603, GTK-358-9781, GYR1R12303, PL9781, PROAS9781, RB9781, RC AS9781, S22469, SBS9781, SP 559781-KA, TAS9781, TR9781, TRAS-8382P, TWD1R12603, U71 9781, UPT9781, W01-358-5779, W01-358-9781, W01-377-8529, W01-377-8536, W01-377-8537, WA01-9781, WA01-9781C

\*SilverbackHD Air Springs are boxed and include fasteners for both top plate and pedestal installations.

\*\*Wisdom Air Springs are not boxed and have the top plate fasteners attached.

SilverbackHD Part #*	Wisdom Part #**	Cross Section	Top Plate	Bottom Plate	Replaces
97AS82	97AS82W	<p>Steel bottom base</p>	<p>⊗ 3/4"-16UNF; 1/4"-18NPT ● 1/2"-13UNC</p>	<p>● 1/2"-13UNC</p>	16-16773-000, 1616773000, 9782, FS9782
21AS557	21AS557W		<p>⊗ M12 x 1.5 ● 1/2"-13UNC</p>	<p>● 1/2"-13UNC</p>	601538, 910S-16 P 1600, A16-21557-000, A16-21557-001
62AS58	62AS58W		<p>⊗ 3/4"-16UNF; 1/4"-18NPT</p>	<p>● 1/2"-13UNC</p>	90036258, 21227892FS25, 64729, 910-17.5P779, AB1DK23P-6258, AS-62580, AS-8779, AS6258, W01-R88-6258
92AS43	92AS43W		<p>● 1/2"-13UNC ⊗ 3/4"-16UNF; 1/4"-18NPT</p>	<p>● 1/2"-13UNC</p>	452-9243, 64329, 90557112, AB1DK23L-9243, AS-0061, AS-8384, AS9243, FS9243, TR9243, W01-358-9243
21AS558	21AS558W		<p>● 1/2"-13UNC ⊗ M12x1.5-6H</p>	<p>● 1/2"-13UNC</p>	602206, 910S-16P1652, A16-21558-000, A16-21558-001

\*SilverbackHD Air Springs are boxed and include fasteners for both top plate and pedestal installations.

\*\*Wisdom Air Springs are not boxed and have the top plate fasteners attached.

SilverbackHD Part #*	Wisdom Part #**	Cross Section	Top Plate	Bottom Plate	Replaces
11AS90	11AS90W				1R12-523, 2514461C1, 352-1190, 3541732C1, 73745, AB1DK23R-9876, AS1190, AS11901, FS1190, W01-358-1190
11AS91	11AS91W				1R12-1077, 1R12-432, 350243C94, 3541731C1, 452-1191, 73746, AB1DK23R-1731, AS1191, AS11910
11AS92	11AS92W				1R12-689, 352-1192, 3691773C1, 74662, AB1DF23I-P1137, AS1192, AS11920, FS1192, W01-358-1192
88AS52	88AS52W				03-07887, 1R12-1081, 1R12-568, 352-8852, 64339, AB1DK23L-8852, AS8472, AS8852, AS88520, FLTA1R12568, FS8852, W01-358-8852, WA01-8852C
95AS80	95AS80W				1R13-081, 1R13-118, 1R13-258, 352-9580, 64349, AB1DK25C-9580, AGA9580, AS8434, AS9580, AS95800, C-20127, C-20414, FLTA1R13118, FS9580, S-20127, S-20414, W01-358-9580, WA01-9580C

\*SilverbackHD Air Springs are boxed and include fasteners for both top plate and pedestal installations.

\*\*Wisdom Air Springs are not boxed and have the top plate fasteners attached.

SilverbackHD Part #*	Wisdom Part #**	Cross Section	Top Plate	Bottom Plate	Replaces
88AS64	88AS64W				03-08716, 1R12-1097, 352-8864, 66666, AB1DK23L-8864, AS8864, AS88640, AS8898, C81-1011, FC81-1013, FS8864, W01-358-8864, WA01-8864C
94AS71	94AS71W				1R12-504, 452-9471, 69648, 90557146, 90557177, 90557182, 90557212, AB1DK23P-9471, AS-8052, AS9471, AS94710, FS9471, TR9471, W01-358-9471
92AS65	92AS65W				1R12-1073, 1R12-375, 352-9265, 64288, 85181155, AB1DK23L-9265, ABPN32019265, AGA9265, AS8435, AS9265, AS92650, C-20124, C20413, FLTA1R12375, FS9265, S-20124, S-20413, W01-358-9265, WA01-9265C
91AS01	91AS01W				1003589101C, 12883-01, 1R12-103, 3130490, 352-9101, 554768C1, 64279, 85101149, 90044201, 90044701, 90054218, 90557008, 90557009, 90557043, 90557082, AB1DK23L-9101, AS-0040, AS8315, AS9101, AS91010, FS9101, S-10443, S5828C, S740C, W01-358-9101, WA019101C
93AS94	93AS94W				1003589394C, 1R12-281, 352-9394, 64237, 64615, AB1DK23L-9394, AS-0142, AS8321, AS9394, AS93940, FS9394, S-10352, UCD-9392-2, UCE-9393-3, W01-358-9394, WA01-9394C

\*SilverbackHD Air Springs are boxed and include fasteners for both top plate and pedestal installations.

\*\*Wisdom Air Springs are not boxed and have the top plate fasteners attached.

Air Springs

SilverbackHD Part #*	Wisdom Part #**	Cross Section	Top Plate	Bottom Plate	Replaces
91AS22	91AS22W				1R13-038, 1R13-257, 1R14-045, 3130500, 352-9122, 36510-4, 36514-2, 36514-8, 554772C1, 64273, 90554043, 90557071, 90557076, 90557077, AB1D28C-9122, AGA9122, AR12151G, AS8313, AS8530, AS9122, AS91220, C-22173, FLTA1R13038, FS9122, S-12514-008, S-3830, S3053C, W01-358-9122, WA01-9122C
96AS19	96AS19W				64697, AB1DK20K-9619, AS-8741, AS9619, AS96190, FS9619, S-23614, W01-358-9619
93AS21	93AS21W				1003589321C, 1R12-1071, 1R12-256, 1R12-335, 352-9321, 57009321, 64384, 64716, 85101160, AB1DK23N-9321, AS-0036, AS8505, AS8505P, AS9321, AS93210, B-14259, FS9321, NS501304, W01-358-9321, WA01-9321C
93AS70	93AS70W				1003589370C, 1R12-440, 352-9370, 64383, AB1DK23N-9370, AS-0057, AS-8448, AS9370, AS93700, FS9370, W01-358-9370, WA01-9370C
96AS45	96AS45W				1DK23U-9645, 566.ER9645, 64695, 910BP-22P739, AS8739, AS9645, AS96450, RL96450, S-23612, SP559645-KP, TR9645, W01-358-9645

\*SilverbackHD Air Springs are boxed and include fasteners for both top plate and pedestal installations.

\*\*Wisdom Air Springs are not boxed and have the top plate fasteners attached.

SilverbackHD Part #*	Wisdom Part #**	Cross Section	Top Plate	Bottom Plate	Replaces
76AS59	76AS59W				005709, 2B7-548, 67667, AS-4775, AS7659, AS76590, FS7659, SP2B07RA-7659, TR7659, W01-358-7659
77AS05	77AS05W				454-7705, 64666, AS-0068, AS-4715, AS7705, AS77050, FS7705, SP2B08RA-7705, W01-358-7705
68AS97	68AS97W				1002486897C, 2B9-229, 2B9-494, 354-6897, 64517, AS-0058, AS4505, AS4706, AS6897, AS68970, FS6897, SP2B12R-6897, W01-358-6897, WA01-6897C
69AS02	69AS02W				1003586902C, 2B9-201, 2B9-493, 354-6902, 554784C1, 57006902, 64509, AS-0002, AS4499, AS6902, AS69020, FS6902, S-2630, SP2B12R-6902, W01-358-6902, WA01-6902C
69AS05	69AS05W				1003586905C, 1685175C1, 2B9-206, 354-6905, 45843-1, 57006905, 6389, 64510, 85101146, AS-0020, AS4315, AS6905, AS69050, AS69050, FS6905, S-3518, S-5270, SP2B12R-6905, TR6905, W01-358-6905, WA01-6905C

\*SilverbackHD Air Springs are boxed and include fasteners for both top plate and pedestal installations.

\*\*Wisdom Air Springs are not boxed and have the top plate fasteners attached.

SilverbackHD Part #*	Wisdom Part #**	Cross Section	Top Plate	Bottom Plate	Replaces
69AS10	69AS10W				1003586910C, 1371, 2726, 2B9-200, 354-6910, 45843-3, 554784C1, 57006910, 64267, AS-0001, AS-4320, AS6910, AS6910, AS69100, FS6910, S-8768, SP2B12R-6910, TR6910, W01-358-6910, WAO1-6910C
77AS95	77AS95W				003317, 2B10-226, 454-7795, 67705, AS-0146-1G, AS-4713, AS7795, AS77950, AS77950, B-14486, S-14486, SP2B12R-7795, TR7795, W01-358-7795, WA01-7795C
78AS97	78AS97W				002878, 2B9-495, 454-7897, 64683, AS4709, AS7897, AS78970, FS7897, S-23114, TR7897, W01-358-7897, W01-455-7898, W01-455-8148
79AS90	79AS90W				3B12-324, 3B12324, 7990, AS0048, AS7990, FS7990, SP3B22R-7990, SP3B22R7990, W01-358-7990, W013587990
71AS80	71AS80W				1003587180C, 1685179C1, 2B12-425, 454-7180, 57007180, 64493, 64493, AS-4363, AS7180, AS71800, FS7180, SP2B22R-7180, W01-358-7180

\*SilverbackHD Air Springs are boxed and include fasteners for both top plate and pedestal installations.

\*\*Wisdom Air Springs are not boxed and have the top plate fasteners attached.

SilverbackHD Part #*	Wisdom Part #**	Cross Section	Top Plate	Bottom Plate	Replaces
80AS32	80AS32W				1003588032C, 3B12-319, 454-8032, 64560, AS-4413, AS8032, AS80320, AS80320, FS8032, S-12405, SP3B22R-8032, TR8032, W01-358-8032
80AS33	80AS33W				003316, 3B12-312, 454-8033, 64571, AS-0168G, AS-4525, AS8033, AS8033, AS80330, B-14487, FS8033, S-14487, SP3B22R-8033, TR8033, W01-358-8033, WA01-8033C
72AS06	72AS06W				1S5-176
70AS01	70AS01W				227QS33, 2501293C1, 67770, ABSZ70-7001, AS-5001, AS7001, AS70010, FS7001, W01-358-7001
70AS87	70AS87W				1S5-040, 453-7087, 67636, ABSZ70-7087, AS5087, AS7087, AS70870, FS7087, GYR1S5-040, W02-358-7087

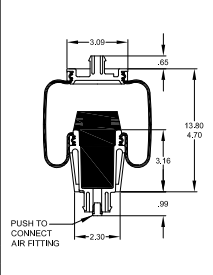
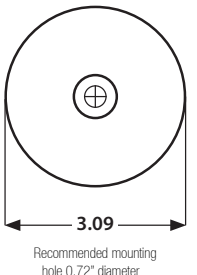
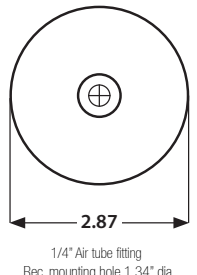
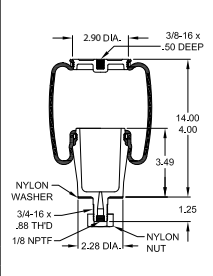
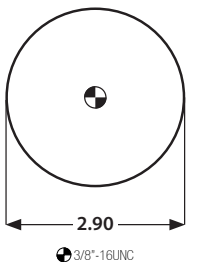
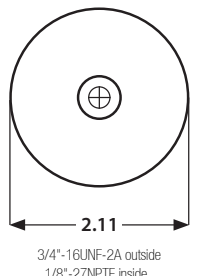
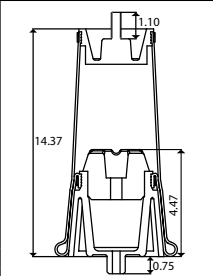
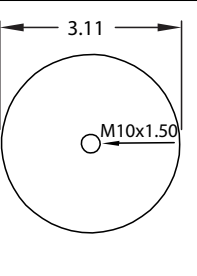
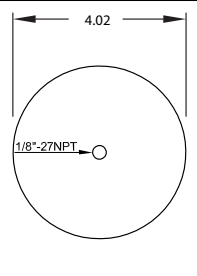
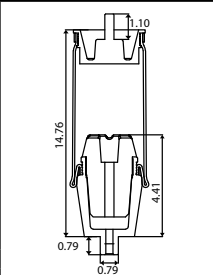
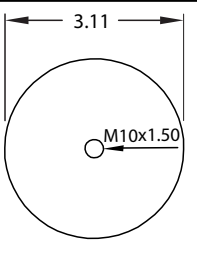
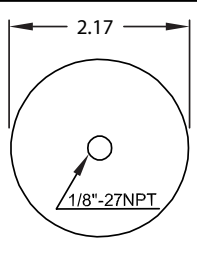
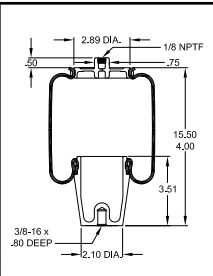
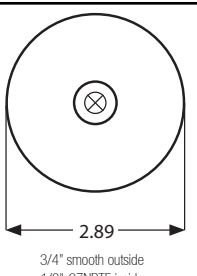
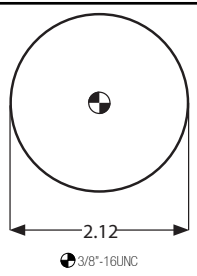
\*SilverbackHD Air Springs are boxed and include fasteners for both top plate and pedestal installations.

\*\*Wisdom Air Springs are not boxed and have the top plate fasteners attached.

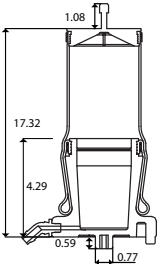
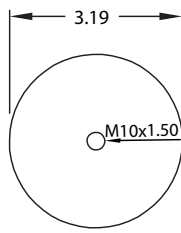
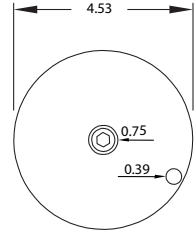
SilverbackHD Part #*	Wisdom Part #**	Cross Section	Top Plate	Bottom Plate	Replaces
70AS64	70AS64W				1S5-157, 453-7064, 67768, ABSZ70-7064, AS-5064, AS7064, AS70640, FS7064, W02-358-7064, WA01-7064C
71AS09	71AS09W				69624, ABSZ70-7109, AS7109, AS71090, FS7109, T811000, W02-358-7109
72AS05	72AS05W				453-7205, 6600-3406, 67638, ABPN32027205, ABSZ70-7205, AS-5205, AS7205, AS72050, FS7205, W02-358-7205
70AS59	70AS59W				353-7059, ABSZ70-7059, AS7059, AS70590, FS7059, W02-358-7059
72AS15	72AS15W				18-40977-000, 18-52651-000, 18-66715-000, 1S5-175, 453-7215, 68161, ABPN32027215, ABSZ70-7215, AS7215, AS72150, FS7215, W02-358-7215, WA01-7215C

\*SilverbackHD Air Springs are boxed and include fasteners for both top plate and pedestal installations.

\*\*Wisdom Air Springs are not boxed and have the top plate fasteners attached.

SilverbackHD Part #*	Wisdom Part #**	Cross Section	Top Plate	Bottom Plate	Replaces
70AS93	70AS93W				453-7093, 64526, ABSZ70-7093, AS-4515, AS7093, AS70930, FS7093, W01-358-7093
70AS36	70AS36W				1S5-186, 29-02454, 29-03200, 453-7036, 68162, ABPN32027036, AS-5036, AS7036, AS70360, ASBZ70-7036, FS7036, W02-358-7036, WA01-7036C
60AS58	60AS58W				1S6-058, 20462624, 20463622, 21165209, 57912005000000, 57912005800035, ABSZ70-2624, TR6058
51AS71	51AS71W				1S5-065, 1S5-141, 1S5-171, 20462622, 21165207, 579100065, 57910014100000, 57910017100035, 78421, 80746292, ABSZ70-2622, TR5171
70AS81	70AS81W				1S5-038, 1S5038, 453-7081, 501300C1, ABSZ70-7081, AS7081, AS70810, FS7081, W02-358-7081

\*SilverbackHD Air Springs are boxed and include fasteners for both top plate and pedestal installations.  
 \*\*Wisdom Air Springs are not boxed and have the top plate fasteners attached.

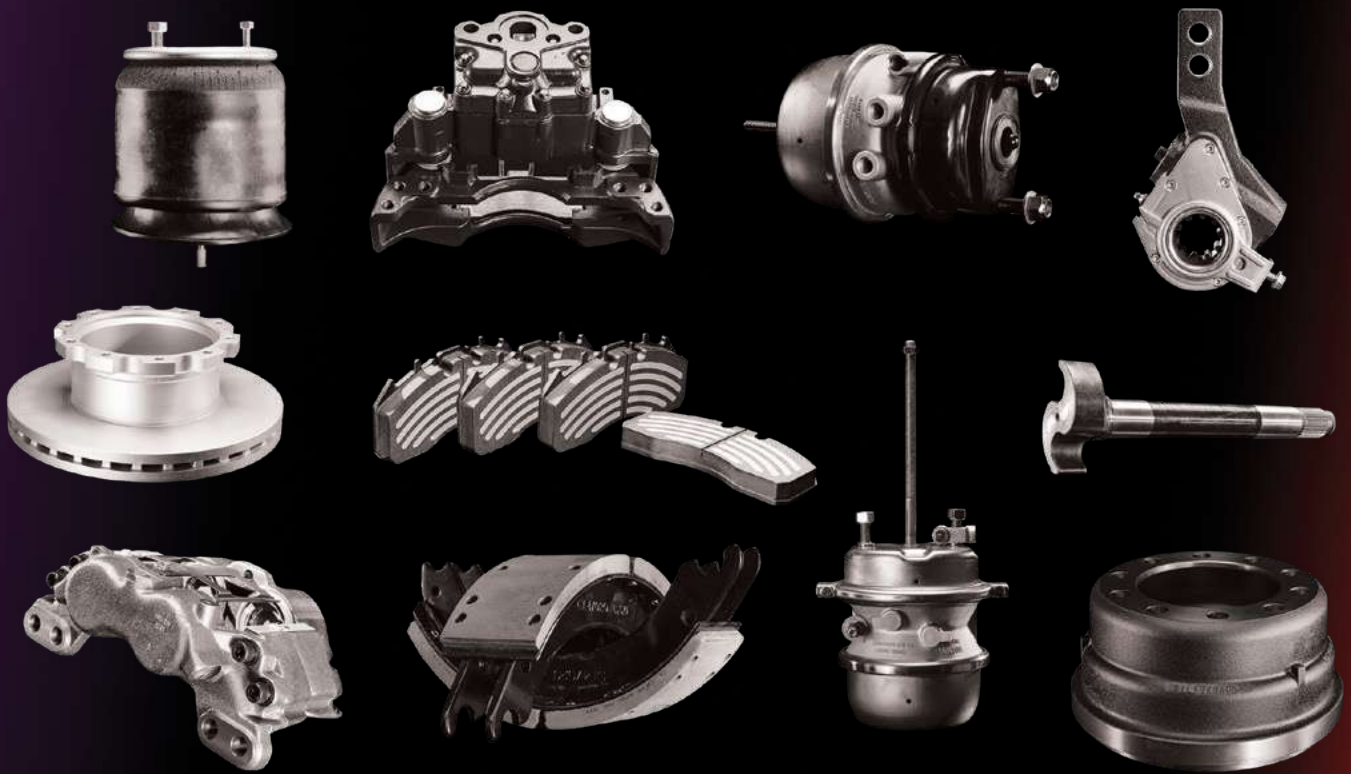
SilverbackHD Part #*	Wisdom Part #**	Cross Section	Top Plate	Bottom Plate	Replaces
60AS54	60AS54W				1S6-054, 21193602, 21338453, ABSZ70-2453, TR8451

\*SilverbackHD Air Springs are boxed and include fasteners for both top plate and pedestal installations.  
 \*\*Wisdom Air Springs are not boxed and have the top plate fasteners attached.

---

# INDEX

---



OUTPERFORM  
OUTLAST  
OUTCLASS







# NUMERICAL PART NUMBER LISTING WITH PAGE NUMBERS

## Numbers

01AC2341X	- 8, 12, 29	16ADSC	- 15, 29	35BD76B	- 54
01AC2341XW	- 8, 12, 29	16SC	- 36	36BD00AB	- 54
01AC2342X	- 8, 12, 29	18ADSC	- 15, 29, 30, 31	36BD87B	- 54
01AC2342XW	- 8, 12, 29	19HR996G	- 83, 85	36BD87BW	- 54
09SC	- 36	19HR996W	- 83, 85	36BD99B	- 53
10AC9957X	- 8, 12, 29	20ADSC	- 15, 29, 30, 31	37BD10B	- 53
10AC9957XW	- 8, 12, 29	20SC	- 36	37BD10BW	- 53
10AC9958X	- 8, 12, 29	21AS557	- 103	37BD21AB	- 53
10AC9958XW	- 8, 12, 29	21AS557W	- 103	37BD21ABW	- 53
10AC9961X	- 8, 12, 29	21AS558	- 103	37BD44B	- 53
10AC9961XW	- 8, 12, 29	21AS558W	- 103	37BD53B	- 53
10AC9962X	- 8, 12, 29	24ADSC	- 15	37BD57B	- 54
10AC9962XW	- 8, 12, 29	24SC	- 36	37BD57BW	- 54
10AR020109G	- 28, 30	25BD46CB	- 54	37BD58B	- 53
10AR020109W	- 28, 30	27BD05B	- 54	37BD58BW	- 53
10AR034621G	- 28, 31	29BD83CB	- 54	37BD60BB	- 53
10AR034621W	- 28, 31	29BD83CBW	- 54	37BD74B	- 53
10AR083733G	- 28, 31	29BD97DB	- 54	37BD82B	- 54
10AR083733W	- 28, 31	30BD18AB	- 54	37BD96B	- 54
11AS90	- 104	30BD18ABW	- 54	38BD00B	- 53
11AS90W	- 104	30BD22BB	- 54	38BD00BW	- 53
11AS91	- 104	30CLW	- 37	38BD07AB	- 54
11AS91W	- 104	30D	- 37	38BD07ABW	- 54
11AS92	- 104	30LS225WC	- 36	38BD87B	- 53
11AS92W	- 104	30SC	- 36	39BD22BW	- 54
12BD3463B	- 54	31BD20B	- 54	40AC175072	- 8, 11, 29
12SC	- 36	31BD41B	- 54	40AC175072W	- 8, 11, 29
13CL706-7	- 76, 79, 85, 86	31BD41BB	- 54	40AC175073	- 8, 11, 29
14AC9714X	- 8, 12, 29	31BD41BW	- 54	40AC175073W	- 8, 11, 29
14AC9714XW	- 8, 12, 29	31BD58B	- 53	40AC195037	- 8, 11, 29
14AC9715X	- 8, 12, 29	31BD66B	- 53	40AC195037W	- 8, 11, 29
14AC9715XW	- 8, 12, 29	31BD66BW	- 53	40AC195038	- 8, 11, 29
14CL7076	- 76, 79, 85, 86	31BD74B	- 53	40AC195038W	- 8, 11, 29
14CL7077	- 76, 79, 85, 86	32BD95AB	- 54	40AC225015	- 9, 11, 29
14CL684012-3	- 76, 79, 85, 86	32BD95ABW	- 54	40AC225015W	- 9, 11, 29
14CL684014-5	- 76, 79, 85, 86	34BD02B	- 54	40AC225016	- 9, 11, 29
14HR1394G	- 84, 85	34BD67BB	- 53	40AC225016W	- 9, 11, 29
		35BD57B	- 53	41AR5332G	- 28, 29, 30

**Ordering and Customer Service**

Toll Free: 1-855-244-SBSB (7272)  
 orderdesk@silverbackhd.com

**Tech Support**

Toll Free: 1-855-848-TECH (8324)  
 tech.support@silverbackhd.com

- 41AR5332W – 28
- 50CP – 37
- 51AC830052 – 9, 12, 29
- 51AC830052W – 9, 12, 29
- 51AC830053 – 9, 12, 29
- 51AC830053W – 9, 12, 29
- 51AS71 – 111
- 51AS71W – 111
- 54HR102G – 83, 85
- 54HR365G – 84, 85
- 54HR365W – 84, 85
- 54HR769G – 83, 85
- 54HR769W – 83, 85
- 54HR770G – 83, 85
- 54HR770W – 85
- 54HR771G – 83, 85
- 54HR771W – 83, 85
- 54HR773G – 83, 85
- 54HR773W – 83, 85
- 54HR775G – 84, 85
- 54HR775W – 84, 85
- 55CL250 – 76, 79, 85, 86
- 55CL251 – 76, 79, 86
- 55CL252 – 76, 79, 86
- 55CL314 – 76, 79, 85, 86
- 55CL849 – 75, 76, 79, 85, 86
- 55CL850 – 75, 76, 79, 85, 86
- 56AR641G – 27, 30
- 56AR641W – 27, 30
- 56AR642G – 28, 30
- 56AR642W – 28, 30
- 57AS410 – 96
- 57AS410W – 96
- 60AS54 – 112
- 60AS54W – 112
- 60AS58 – 111
- 60AS58W – 111
- 61HR78AMG – 84, 85
- 61HR78AMW – 84, 85
- 61HR78MG – 84, 85
- 62AS58 – 103
- 62AS58W – 103
- 64AC02220070 – 9, 11, 29
- 64AC02220070W – 9, 11, 29
- 64AC02220080 – 9, 11, 30
- 64AC02220080W – 9, 11, 30
- 64AC02250800 – 9, 11, 30
- 64AC02250800W – 9, 11, 30
- 64AC02250810 – 9, 12, 30
- 64AC02250810W – 9, 12, 30
- 64AC03220650 – 9, 12, 30
- 64AC03220650W – 9, 12, 30
- 64AC03220660 – 9, 12, 30
- 64AC03220660W – 9, 12, 30
- 68AS97 – 107
- 68AS97W – 107
- 69AS02 – 107
- 69AS02W – 107
- 69AS05 – 107
- 69AS05W – 107
- 69AS10 – 108
- 69AS10W – 108
- 70AS01 – 109
- 70AS01W – 109
- 70AS36 – 111
- 70AS36W – 111
- 70AS59 – 110
- 70AS59W – 110
- 70AS64 – 110
- 70AS64W – 110
- 70AS81 – 111
- 70AS81W – 111
- 70AS87 – 109
- 70AS87W – 109
- 70AS93 – 111
- 70AS93W – 111
- 71AR601G – 28, 29
- 71AR601W – 28, 29
- 71AS09 – 110
- 71AS09W – 110
- 71AS80 – 108
- 71AS80W – 108
- 72AS05 – 110
- 72AS05W – 110
- 72AS06 – 109
- 72AS06W – 109
- 72AS15 – 110
- 72AS15W – 110
- 75AR180G – 27, 29
- 75AR180W – 27, 29
- 76AR606G – 28, 30
- 76AR606W – 28, 30
- 76AR613G – 28, 29, 30
- 76AR613W – 28, 29, 30
- 76AR617G – 28, 29
- 76AR617W – 28, 29
- 76AR618G – 28, 29
- 76AR618W – 28, 29
- 76AR626G – 27, 29
- 76AR626W – 29
- 76AR692G – 27, 29
- 76AR692W – 27, 29
- 76AR801G – 28, 29, 30, 31
- 76AR801W – 28, 29, 30, 31
- 76AR901G – 28, 29, 30
- 76AR901W – 28, 29, 30
- 76AS59 – 107
- 76AS59W – 107
- 77AS05 – 107
- 77AS05W – 107
- 77AS95 – 108
- 77AS95W – 108
- 78AS97 – 108
- 78AS97W – 108
- 79AS90 – 108
- 79AS90W – 108
- 80AS32 – 109
- 80AS32W – 109
- 80AS33 – 109
- 80AS33W – 109
- 80AS50 – 97
- 80AS50W – 97
- 80AS91 – 97
- 80AS91W – 97
- 82AS04 – 95
- 82AS04W – 95
- 84AS63 – 100
- 84AS63W – 100
- 84AS68 – 100



84AS68W – 100	92AS65W – 105	97AS80 – 102
85AS39 – 97	92AS70 – 96	97AS80W – 102
85AS39W – 97	92AS70W – 96	97AS81 – 102
86BD56B – 54	93AS07 – 94	97AS81W – 102
87AS08 – 100	93AS07W – 94	97AS82 – 103
87AS08W – 100	93AS21 – 106	97AS82W – 103
87AS09 – 97	93AS21W – 106	97AS92 – 98
87AS09W – 97	93AS70 – 106	97AS92W – 98
87AS13 – 100	93AS70W – 106	98AS07 – 95
87AS13W – 100	93AS71 – 101	98AS07W – 95
87AS55 – 98	93AS71W – 101	98AS08 – 98
87AS55W – 98	93AS73 – 101	98AS08W – 98
87AS74 – 99	93AS73W – 101	99AS21 – 101
87AS74W – 99	93AS75 – 101	99AS21W – 101
87AS82 – 96	93AS75W – 101	99AS35 – 102
87AS82W – 96	93AS94 – 105	99AS35W – 102
88AS06 – 96	93AS94W – 105	99AS36 – 101
88AS06W – 96	94AS22 – 95	99AS36W – 101
88AS29 – 98	94AS22W – 95	99AS74 – 102
88AS29W – 98	94AS71 – 105	99AS74W – 102
88AS52 – 104	94AS71W – 105	99AS78 – 97
88AS52W – 104	95AS41 – 94	99AS78W – 97
88AS64 – 105	95AS41W – 94	1624ADSB – 15, 29
88AS64W – 105	95AS47 – 94	1824ADSB – 15, 29, 30, 31
90AS26 – 99	95AS47W – 94	2024ADSB – 15, 29, 30, 31
90AS26W – 99	95AS80 – 104	2024ADSC – 29
90AS39 – 94	95AS80W – 104	2424ADSB – 15
90AS39W – 94	96AS16 – 95	2424SB – 36
90AS69 – 96	96AS16W – 95	2430SB – 36
90AS69W – 96	96AS19 – 106	3030PBK – 36
90AS82 – 99	96AS19W – 106	3030PBKLS – 36
90AS82W – 99	96AS22 – 94	3030PBKLSW – 36
91AS01 – 105	96AS22W – 94	3030PBKW – 36
91AS01W – 105	96AS26 – 99	3030RB – 37
91AS21 – 102	96AS26W – 99	3030SB – 36
91AS21W – 102	96AS34 – 95	3030SB-INT – 36
91AS22 – 106	96AS34W – 95	3030SBLS – 36
91AS22W – 106	96AS44 – 100	3030SBLS-INT – 36
92AS13 – 98	96AS44W – 100	3030SBLSW – 36
92AS13W – 98	96AS45 – 106	3030SBLSWC225 – 36
92AS43 – 103	96AS45W – 106	3030SBLSWC287 – 36
92AS43W – 103	96AS48 – 99	3030SBW – 36
92AS65 – 105	96AS48W – 99	5850CV – 37

## Ordering and Customer Service

Toll Free: 1-855-244-SBSB (7272)  
orderdesk@silverbackhd.com

## Tech Support

Toll Free: 1-855-848-TECH (8324)  
tech.support@silverbackhd.com

### A

ASB65175 – 71  
ASB65247 – 71  
ASB65344 – 71  
ASB65700 – 71  
ASG1132 – 71  
ASG1133 – 71  
ASG1136 – 71  
ASG1138 – 71  
ASG1140 – 71  
ASG1141 – 71  
ASG1142 – 71  
ASG1147 – 71  
ASG1150 – 71  
ASH40010001 – 71  
ASH40010013 – 71  
ASH40010070 – 71  
ASH40010140 – 71  
ASH40010141 – 71  
ASH40010142 – 71  
ASH40010143 – 71  
ASH40010144 – 71  
ASH40010145 – 71  
ASH40010155 – 71  
ASH40010156 – 71  
ASH40010211 – 71  
ASH40010212 – 72  
ASH40010214 – 72  
ASH40010215 – 71  
ASH40010216 – 71  
ASH40010305 – 72  
ASH40010306 – 71  
ASH40020211 – 71  
ASH40020212 – 72  
ASH40020228 – 71  
ASH40020231 – 71  
ASH40020234 – 71  
ASH40020241 – 71  
ASM801041 – 72  
ASM801042 – 72  
ASM801073 – 72  
ASM801074 – 72  
ASM801079 – 72  
ASM801102 – 72

ASM802446 – 72

ASM802447 – 72

ASM802486 – 72

ASM802487 – 72

### C

CRK2090B – 59, 63, 64  
CRK2125B – 58, 64  
CRK2287B – 58, 59, 60, 63, 64  
CRK2469B – 64  
CRK3520AB – 59, 63, 64  
CRK3993BB – 58, 59, 63, 64  
CRK5501B – 64  
CRK9078B – 59, 63, 64  
CRK9079B – 59, 63, 64  
CRK9080B – 58  
CRK9790AB – 59, 60, 63, 65  
CRK10897B – 63, 65  
CRK11450B – 65  
CRK11897B – 58, 63, 65  
CRK11897BW – 58, 63, 65  
CRK11910B – 59, 60, 63, 65  
CS1563L – 59, 63  
CS1564R – 59, 63  
CS1775R – 58, 63  
CS1776L – 58, 63  
CS2099L – 59, 63  
CS2100R – 59, 63  
CS3856L – 59, 63  
CS3857R – 59, 63  
CS4892R – 58  
CS4893L – 58  
CS5003L – 58, 63  
CS5004R – 58, 63  
CS5506L – 59, 63  
CS5507R – 59, 63  
CS5508L – 59, 63  
CS5509R – 59, 63  
CS5510L – 59, 63  
CS5511R – 59, 63  
CS5520L – 59, 63  
CS5521R – 59, 63  
CS5526L – 59, 63  
CS5527R – 59, 63

CS7219L – 60, 63

CS7220R – 60, 63

CS9059L – 59, 63

CS9060R – 59, 63

CS9100L – 59, 63

CS9101R – 60, 63

CS9649L – 58, 63

CS9650R – 58, 63

CS9657L – 58, 63

CS9658R – 58, 63

CS9659L – 58, 63

CS9660R – 58, 63

CS9661L – 58, 63

CS9662R – 58, 63

CS9663L – 58, 63

CS9664R – 58, 63

CS9669L – 58, 63

CS9670R – 58, 63

CS9673AL – 59, 63

CS9674AR – 59, 63

CS9677L – 59, 63

CS9678R – 59, 63

CS9681L – 59, 63

CS9682R – 59, 63

CS9683L – 59, 63

CS9684R – 59, 63

CS9731L – 59, 63

CS9732R – 59, 63

CS9733L – 59, 63

CS9734R – 59, 63

CS9735L – 59, 63

CS9736R – 59, 63

CS10909L – 60, 63

CS10910R – 60, 63

CS11860L – 60, 63

CS11861R – 60, 63

CS11864L – 58, 63

CS11865R – 58, 63

CS11866L – 58, 63

CS11867R – 58, 63

### D

D184-7806CE – 76, 79, 85, 86

D224-7807CE – 76, 79, 86



D225-7808CE – 76, 79, 85, 86  
D225-7808SD – 76, 79, 85, 86  
D236-7809CE – 76, 79, 86  
D736-7636SD – 85  
D769-7636CE – 76, 79, 85, 86  
D769-7636SD – 76, 79, 85, 86  
D786-7655CE-THICK – 76, 79, 85, 86  
D786-7655SD-THICK – 76, 79, 85, 86  
D786A-7654CE-THIN – 76, 79, 85, 86  
D786A-7654SD-THIN – 76, 79, 85, 86  
D1066-7972CE – 76, 79, 85, 86  
D1066-7972SD – 76, 79, 85, 86  
D1203-8323 – 19, 22  
D1203-8323SD – 19, 22  
D1203-8323SM – 19  
D1311-8426 – 19, 23, 30  
D1311-8426SD – 19, 23, 30  
D1311-8426SM – 19, 23, 30  
D1369-8479 – 19, 21, 29  
D1369-8479SD – 19, 21, 29  
D1369-8479SDHW – 19, 21, 29  
D1369-8479SM – 19, 21, 29  
D1370-8480 – 19, 22, 30, 31  
D1370-8480SD – 19, 22, 30, 31  
D1370-8480SM – 19, 22, 30, 31  
D1438-8556 – 19, 20, 29  
D1438-8556SD – 19, 20, 29  
D1438-8556SM – 19, 20, 29  
D1518-8727 – 19, 20, 29  
D1518-8727SD – 19, 20, 29  
D1518-8727SM – 19, 20, 29  
D1583-8795 – 19, 20  
D1583-8795SD – 19, 20  
D1583-8795SM – 19, 20  
D1708-8931 – 19, 23, 30  
D1708-8931SD – 19, 23, 30  
D1708-8931SM – 19, 23, 30  
D1777-9007 – 19, 21, 29, 30  
D1777-9007SD – 19, 21, 29, 30  
D1777-9007SM – 19, 21, 29, 30  
D2061-9294 – 19, 21, 30  
D2061-9294SM – 19, 21, 30  
D2252-9490 – 19, 21, 29  
D2252-9490SD – 19, 21, 29

D2252-9490SM – 19, 21, 29  
D2421-9645 – 19, 22  
D2421-9645SD – 19, 22  
D2421-9645SM – 19, 22  
D2526-9757 – 19, 22  
D2526-9757SD – 19, 22  
D2526-9757SM – 19, 22  
D2588-9816 – 19, 20  
D2588-9816SD – 19, 20  
D2588-9816SM – 19, 20

## E

EB1303 – 89  
EB1653 – 89  
EB2085 – 89  
EB2086 – 89  
EB2086G – 89  
EXAC225H201X – 9, 12, 30  
EXAC225H201XW – 9, 12, 30  
EXAC225H202X – 9, 12, 30  
EXAC225H202XW – 9, 12, 30  
EXAC225H205X – 10, 12, 30  
EXAC225H205XW – 10, 12, 30  
EXAC225H206X – 10, 12, 30  
EXAC225H206XW – 10, 12, 30  
EXAC225H225X – 10, 12, 30  
EXAC225H225XW – 10, 12, 30  
EXAC225H226X – 10, 12, 30  
EXAC225H226XW – 10, 12, 30  
EXAC225H227X – 10, 12, 30  
EXAC225H227XW – 10, 12, 30  
EXAC225H228X – 10, 12, 30  
EXAC225H228XW – 10, 12, 30  
EXAC225H301X – 10, 12, 30  
EXAC225H301XW – 10, 12, 30  
EXAC225H302X – 10, 12, 30  
EXAC225H302XW – 10, 12, 30  
EXAC225L201X – 10, 12, 30  
EXAC225L201XW – 10, 12, 30  
EXAC225L202X – 10, 12, 30  
EXAC225L202XW – 10, 12, 30  
EXAC225L261X – 10, 12, 31  
EXAC225L261XW – 10, 12, 31  
EXAC225L262X – 10, 12, 31

EXAC225L262XW – 10, 12, 31  
EXAC225L269X – 11, 12, 31  
EXAC225L269XW – 11, 12, 31  
EXAC225L270X – 11, 12, 31  
EXAC225L270XW – 11, 12, 31  
EXAC225L271X – 11, 12, 31  
EXAC225L271XW – 11, 12, 31  
EXAC225L272X – 11, 12, 31  
EXAC225L272XW – 11, 12, 31

## H

HK11HH754 – 75, 76  
HK71HH18-19BS – 75, 76  
HK71HH18-19CP – 75, 76  
HK802TB119 – 11  
HK803GP114 – 11  
HK1225D-150 – 41, 42, 47  
HK1225D-188 – 42  
HK1225DX – 41, 42, 47  
HK1225Q – 42  
HK1225SF – 42  
HK1308E – 41, 42, 46  
HK1308Q – 41, 42, 46  
HK1657QM – 41, 42, 46, 47  
HK4311E – 41, 42, 46  
HK4515CSP – 41, 42, 47  
HK4515F-3 – 41, 42, 46  
HK4515Q-34 – 41, 42, 46, 47  
HK4702Q – 41, 42, 46, 47  
HK4709E-12 – 41, 42, 46, 47  
HK4719E – 41, 42, 46  
HK4729E – 41, 42, 46  
HKADB22XH – 8, 9, 10, 29, 30, 31  
HKADB22XV – 8, 29  
HKD1203 – 22  
HKD1311 – 21, 22, 23  
HKD1369 – 11, 21  
HKD1369-SN – 11  
HKD1438 – 20  
HKD1518 – 20  
HKD1583 – 20  
HKD1777 – 21  
HKD2061 – 21  
HKH225206 – 9, 10, 11, 30

**Ordering and Customer Service**

Toll Free: 1-855-244-SBSB (7272)  
 orderdesk@silverbackhd.com

**Tech Support**

Toll Free: 1-855-848-TECH (8324)  
 tech.support@silverbackhd.com

HKH225226 – 10, 30, 31  
 HKH225286 – 9, 30  
 HKH227228 – 10, 11, 30, 31  
 HKMAXX22T – 9, 29, 30  
 HKMERFFFG – 9, 10, 30  
 HKMERFHFL – 9, 10, 30  
 HKPAN17 – 8, 29  
 HKPAN1922I – 8, 9, 29  
 HKSK7ST7 – 8, 9, 29

**W**

WK1308E-20KSB – 46  
 WK1308E-23KSB – 46  
 WK1308E-23KW – 46  
 WK1308Q-20KSB – 46  
 WK1308Q-23KSB – 46  
 WK1443E-20KSB – 46  
 WK1443E-23KSB – 46  
 WK1443E-23KW – 46  
 WK4311E-20KSB – 46  
 WK4311E-23KSB – 46  
 WK4311E-23KW – 46  
 WK4514Q-23KSB – 46  
 WK4515CP-26KSD – 47  
 WK4515Q-20KSB – 47  
 WK4515Q-20KW – 47  
 WK4515Q-23KSB – 47  
 WK4515Q-23KW – 47  
 WK4515Q-26KSBS – 47  
 WK4515XEM3-23KSB – 46  
 WK4515XEM3-23KW – 46  
 WK4524Q-20KSB – 46  
 WK4524Q-23KSB – 46  
 WK4524QR-23KSB – 46  
 WK4551Q-20KSB – 47  
 WK4591DX-23KSB – 47  
 WK4591SF-23KSB – 47  
 WK4670Q-23KSB – 47  
 WK4692Q-20KSB – 47  
 WK4692Q-23KSB – 47  
 WK4702Q-20KSB – 46  
 WK4702Q-20KW – 46  
 WK4702Q-23KSB – 46  
 WK4702Q-23KW – 46

WK4703Q-20KSB – 46  
 WK4703Q-23KSB – 46  
 WK4704Q-23KSB – 46  
 WK4705Q-23KSB – 46  
 WK4707Q-20KSB – 47  
 WK4707Q-20KW – 47  
 WK4707Q-23KSB – 47  
 WK4707Q-23KSBHTP – 47  
 WK4707Q-23KW – 47  
 WK4707Q-26KSBS – 47  
 WK4707QR-23KSB – 47  
 WK4709ES2-20KSB – 46  
 WK4709ES2-20KW – 46  
 WK4709ES2-23KSB – 46  
 WK4709ES2-23KSBHTP – 46  
 WK4709ES2-23KW – 46  
 WK4709ES2-26KSBS – 46  
 WK4709ES2F-23KSB – 46  
 WK4710Q-23KSB – 47  
 WK4710Q-23KSBHTP – 47  
 WK4710Q-26KSBS – 47  
 WK4711Q-20KSB – 47  
 WK4711Q-23KSB – 47  
 WK4711Q-23KSBHTP – 47  
 WK4711Q-23KW – 47  
 WK4711Q-26KSBS – 47  
 WK4715Q-20KSB – 46  
 WK4715Q-23KSB – 46  
 WK4715Q-23KW – 46  
 WK4718Q-23KSB – 47  
 WK4718Q-23KSBHTP – 47  
 WK4718Q-26KSBS – 47  
 WK4719ES2-20KSB – 46  
 WK4719ES2-23KSB – 46  
 WK4719ES2-23KW – 46  
 WK4720Q-20KSB – 46  
 WK4720Q-23KSB – 46  
 WK4720Q-23KW – 46  
 WK4725ES2-20KSB – 46  
 WK4725ES2-23KSB – 46  
 WK4725ES2-23KW – 46  
 WK4726ES2-20KSB – 47  
 WK4726ES2-23KSB – 47  
 WK4726ES2-23KSBHTP – 47

WK4726ES2-23KW – 47  
 WK4726ES2-26KSBS – 47  
 WK4729ES-20KSB – 46  
 WK4729ES-23KSB – 46

### **Ordering and Customer Service**

Toll-free: 1-855-244-SBSB (7272)  
orderdesk@silverbackhd.com

### **Tech Support**

Toll-free: 1-855-848-TECH (8324)  
tech.support@silverbackhd.com

### **Cross Reference Tool**

Visit [www.SilverbackHD.com](http://www.SilverbackHD.com) for dynamic search and instructional videos.



[www.SilverbackHD.com](http://www.SilverbackHD.com)

1-855-244-7272