



PARTS CATALOG

**TWO CATEGORY-LEADING BRANDS
SHARING ONE MISSION:
KEEPING YOU ON THE ROAD.**





TWO CATEGORY-LEADING BRANDS SHARING ONE MISSION: KEEPING YOU ON THE ROAD.

SilverbackHD Inc. manufactures high-quality brake and suspension wheel-end components for Class 6, 7, and 8 commercial vehicles and their heavy-duty trailers.

Whether you require the elite precision of **SilverbackHD** or the unbeatable value of **Wisdom**, we provide best-in-class parts to drive your success.

Regardless of the product line you select, you'll benefit from the SilverbackHD Advantage – a long-standing commitment to customer-focused values that has driven us since our inception in 2001.

THE SILVERBACKHD ADVANTAGE

First-Class Service

Immediate field and tech support, great fill rate, fast order shipment

Hassle-Free Experience

No cores, easy part identification, minimum SKU count, maximum application coverage, attractive and safe packaging

The Right Parts, Every Time

Two expertly-crafted brands to power your operations



Premium engineered products that deliver high performance and long life.



Proven reliability at a value price.





BRAKE PRODUCTS

Air Disc Brakes

Air Disc Calipers	03
Air Disc Chambers	11
Air Disc Pads	15
Air Disc Rotors.....	23
Air Disc Quick Reference Guide.....	27

Drum Brakes

Brake Wheel Kits	31
Brake Hardware Kits.....	39
Brake Drums.....	43
Camshafts	47
Camshaft Repair Kits	53
Slack Adjusters	59
Air Drum Chambers	65

Hydraulic Disc Brakes

Hydraulic Disc Calipers	71
Hydraulic Disc Pads	75
Hydraulic Disc Rotors.....	79

Parking Brakes

Parking Brake Shoes	83
---------------------------	----

SUSPENSION PRODUCTS

Air Springs.....	87
------------------	----

INDEX

Numerical Parts Listing.....	109
------------------------------	-----

Visit our website for dynamic search and instructional videos.



SILVERBACK® OUTPERFORM
OUTLAST
OUTCLASS

- ✓ New – no cores!
- ✓ Wide range of applications
- ✓ Complete with carriers/push plates
- ✓ Most applications complete with fasteners
- ✓ Up to 5-year warranty

AIR DISC CALIPERS

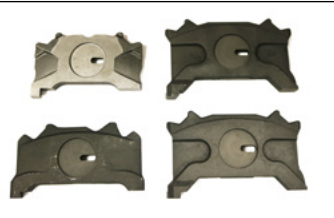


WISDOM®
RELIABLE · REASONABLE

- ✓ No cores!
- ✓ 1-year warranty

AIR DISC CALIPERS

A. Identify adjustment design.

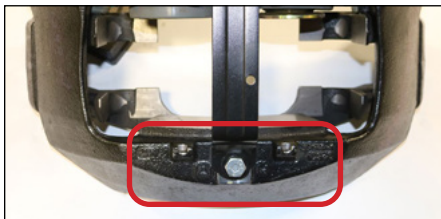


Pusher Plates –
Included in Caliper Assembly

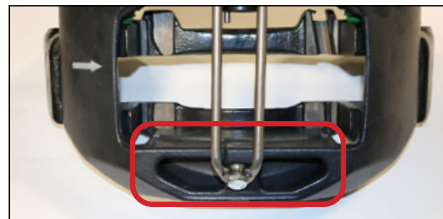


Tappet(s)

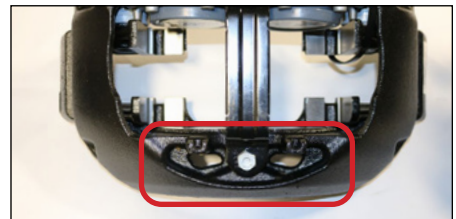
B. Identify bridge style.



Flat

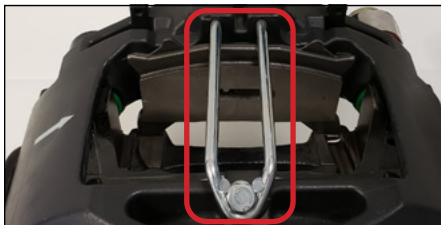


Pockets

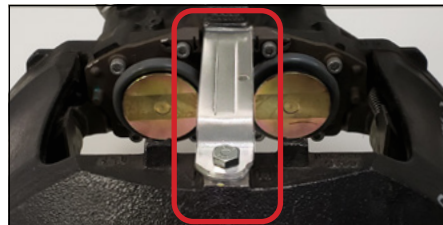


Windows

C. Identify pad retainer style.



Rolled Bar



Flat plate stepped




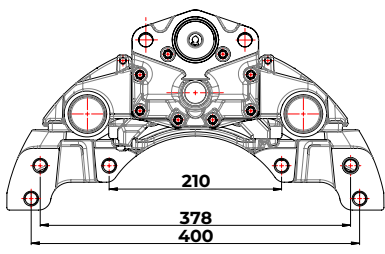


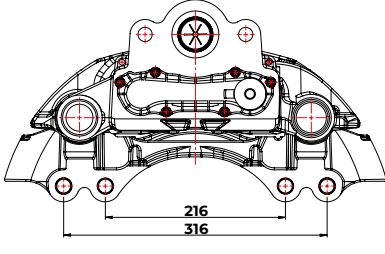


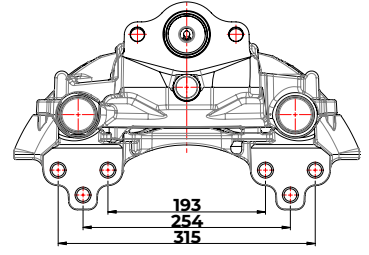


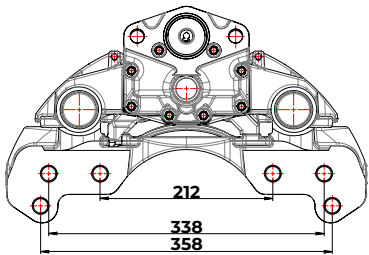


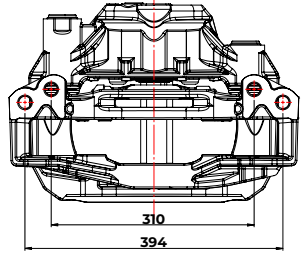


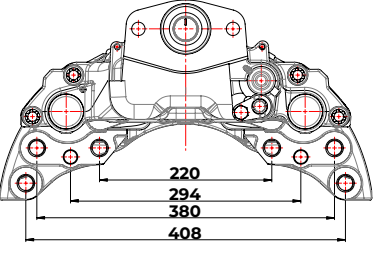

Formed plate

D. Identify pad FMSI number.

E. Identify the location of caliper.

F. Refer to pictures and diagrams (mm) on the following pages for more details.


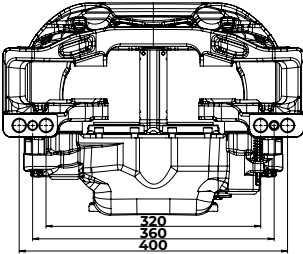


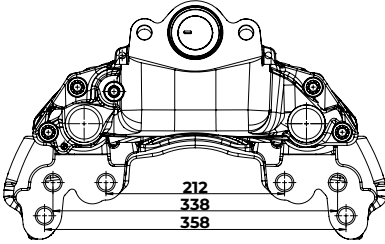

Part #s	Photo	Dimensions	Bolt Kit (only included with SilverbackHD, where applicable)
SilverbackHD			
Wisdom			
01AC2341X, 01AC2342X			
01AC2341XW, 01AC2342XW			
10AC9957X, 10AC9958X			
10AC9957XW, 10AC9958XW			
10AC9961X, 10AC9962X			
10AC9961XW, 10AC9962XW			
14AC9714X, 14AC9715X <i>replaces 11AC3887X/11AC3888X</i>			
14AC9714XW, 14AC9715XW			
40AC175072, 40AC175073			
40AC175072W, 40AC175073W			
40AC195037, 40AC195038			
40AC195037W, 40AC195038W			

Part #s	Photo	Dimensions	Bolt Kit (only included with SilverbackHD, where applicable)
SilverbackHD			
Wisdom			
40AC225015, 40AC225016			 HKPAN19221
40AC225015W, 40AC225016W			
51AC830052, 51AC830053			 HKSK75T7
51AC830052W, 51AC830053W			
64AC02222070, 64AC02222080			 HKMAXX22T
64AC02222070W, 64AC02222080W			
64AC02250800, 64AC02250810			 HKADB22XH
64AC02250800W, 64AC02250810W			
64AC03220650, 64AC03220660			 HKH225286
64AC03220650W, 64AC03220660W			
EXAC225H201X, EXAC225H202X			 HKMERFHFLA, HKMERFFFG ^B , HKH225206C ^C
EXAC225H201XW, EXAC225H202XW			

Bolt lengths available: A. 55mm B. 60mm, C. 75mm

Part #s	Photo	Dimensions	Bolt Kit (only included with SilverbackHD, where applicable)
SilverbackHD			
Wisdom			
EXAC225H205X, EXAC225H206X			
EXAC225H205XW, EXAC225H206XW			
EXAC225H225X, EXAC225H226X			
EXAC225H225XW, EXAC225H226XW			
EXAC225H227X, EXAC225H228X			
EXAC225H227XW, EXAC225H228XW			
EXAC225H301X, EXAC225H302X			
EXAC225H301XW, EXAC225H302XW			
EXAC225L201X, EXAC225L202X			
EXAC225L201XW, EXAC225L202XW			
EXAC225L261X, EXAC225L262X			
EXAC225L261XW, EXAC225L262XW			

Bolt lengths available: A. 55mm B. 60mm, C. 75mm

Part #s	Photo	Dimensions	Bolt Kit (only included with SilverbackHD, where applicable)
SilverbackHD			
Wisdom			
EXAC225L269X, EXAC225L270X			 HKH225206
EXAC225L269XW, EXAC225L270XW			
EXAC225L271X, EXAC225L272X			 HKH227228
EXAC225L271XW, EXAC225L272XW			

Other Available SilverbackHD Caliper Hardware Kits			
			
HK803GP114 Guide Pin Kit	HK802TB119 Tappet/Boot Kit	HKD1369-SN Shear nuts	HKD1369-SP Small Plug Dia. 1.00"

G. Use chart to find the correct air disc caliper.

A	B	C	D	E	F	SilverbackHD Part #	Wisdom Part #
Adjustment Design	Bridge Style	Pad Retainer Style	FMSI	Location of Caliper	Notes		
Pusher Plate	Pocket	Rolled Bar	D1518	Left (Driver)	PAN17 Style	40AC175072	40AC175072W
Pusher Plate	Pocket	Rolled Bar	D1518	Right (Passenger)	PAN17 Style	40AC175073	40AC175073W
Pusher Plate	Pocket	Rolled Bar	D1438	Left (Driver)	PAN19 Style	40AC195037	40AC195037W
Pusher Plate	Pocket	Rolled Bar	D1438	Right (Passenger)	PAN19 Style	40AC195038	40AC195038W
Pusher Plate	Pocket	Rolled Bar	D1777	Left (Driver)	PAN22 IMT, Reyco, Ridewell, SAF Holand & AXN Styles	40AC225015	40AC225015W
Pusher Plate	Pocket	Rolled Bar	D1777	Right (Passenger)	PAN22 IMT, Reyco, Ridewell, SAF Holand & AXN Styles	40AC225016	40AC225016W
Pusher Plate	Pocket	Rolled Bar	D1777	Left (Driver)	MAXX22T Style	64AC02220070	64AC02220070W
Pusher Plate	Pocket	Rolled Bar	D1777	Right (Passenger)	MAXX22T Style	64AC02220080	64AC02220080W
Pusher Plate	Pocket	Rolled Bar	D1777	Left (Driver)	PAN22 Hendrickson & Meritor Styles	64AC02250800	64AC02250800W

A	B	C	D	E	F	SilverbackHD Part #	Wisdom Part #
Adjustment Design	Bridge Style	Pad Retainer Style	FMSI	Location of Caliper	Notes		
Pusher Plate	Pocket	Rolled Bar	D1777	Right (Passenger)	PAN22 Hendrickson & Meritor Styles	64AC02250810	64AC02250810W
Pusher Plate	Pocket	Rolled Bar	D2061	Left (Driver)	MAXXUS Style	64AC03220650	64AC03220650W
Pusher Plate	Pocket	Rolled Bar	D2061	Right (Passenger)	MAXXUS Style	64AC03220660	64AC03220660W
Two Tappets	Flat	Flat Plate Stepped	D1311	Right (Passenger)	EX225H 201 Style	EXAC225H201X	EXAC225H201XW
Two Tappets	Flat	Flat Plate Stepped	D1311	Left (Driver)	EX225H 202 Style	EXAC225H202X	EXAC225H202XW
Two Tappets	Flat	Flat Plate Stepped	D1311	Right (Passenger)	EX225H 205 Style	EXAC225H205X	EXAC225H205XW
Two Tappets	Flat	Flat Plate Stepped	D1311	Left (Driver)	EX225H 206 Style	EXAC225H206X	EXAC225H206XW
Two Tappets	Flat	Flat Plate Stepped	D1708	Left (Driver)	EX225H 225 Style	EXAC225H225X	EXAC225H225XW
Two Tappets	Flat	Flat Plate Stepped	D1708	Right (Passenger)	EX225H 226 Style	EXAC225H226X	EXAC225H226XW
Two Tappets	Flat	Flat Plate Stepped	D1708	Left (Driver)	EX225H 227 Style	EXAC225H227X	EXAC225H227XW
Two Tappets	Flat	Flat Plate Stepped	D1708	Right (Passenger)	EX225H 228 Style	EXAC225H228X	EXAC225H228XW
Two Tappets	Flat	Flat Plate Stepped	D1370	Right (Passenger)	EX225L 201 Style	EXAC225L201X	EXAC225L201XW
Two Tappets	Flat	Flat Plate Stepped	D1370	Left (Driver)	EX225L 202 Style	EXAC225L202X	EXAC225L202XW
Two Tappets	Pocket	Flat Plate Stepped	D1311	Right (Passenger)	EX225H 301 Style	EXAC225H301X	EXAC225H301XW
Two Tappets	Pocket	Flat Plate Stepped	D1311	Left (Driver)	EX225H 302 Style	EXAC225H302X	EXAC225H302XW
Two Tappets	Pocket	Formed Plate	D1369	Left P89 axle, Right C88 axle	Trailers SAF Holland SK7 Style	01AC2341X	01AC2341XW
Two Tappets	Pocket	Formed Plate	D1369	Right P89 axle, Left C88 axle	Trailers SAF Holland SK7 Style	01AC2342X	01AC2342XW
Two Tappets	Pocket	Formed Plate	D1369	Right (Passenger)	Freightliner Style	10AC9957X	10AC9957XW
Two Tappets	Pocket	Formed Plate	D1369	Left (Driver)	Freightliner Style	10AC9958X	10AC9958XW
Two Tappets	Pocket	Formed Plate	D1369	Right (Passenger)	All trucks except Freightliner Style	10AC9961X	10AC9961XW
Two Tappets	Pocket	Formed Plate	D1369	Left (Driver)	All trucks except Freightliner Style	10AC9962X	10AC9962XW
Two Tappets	Pocket	Formed Plate	D1369	Right (Passenger)	Trailers	14AC9714X (Replace 11AC3887X)	14AC9714XW
Two Tappets	Pocket	Formed Plate	D1369	Left (Driver)	Trailers	14AC9715X (Replace 11AC3888X)	14AC9715XW
Two Tappets	Pocket	Formed Plate	D2252	Left (Driver)	Trailers SAF Holland ST7 Style	51AC830052	51AC830052W
Two Tappets	Pocket	Formed Plate	D2252	Right (Passenger)	Trailers SAF Holland ST7 Style	51AC830053	51AC830053W
Two Tappets	Windows	Flat Plate Stepped	D1370	Left (Driver)	EX225L 261 Style	EXAC225L261X	EXAC225L261XW
Two Tappets	Windows	Flat Plate Stepped	D1370	Right (Passenger)	EX225L 262 Style	EXAC225L262X	EXAC225L262XW
Two Tappets	Windows	Flat Plate Stepped	D1370	Left (Driver)	EX225L 269 Style	EXAC225L269X	EXAC225L269XW
Two Tappets	Windows	Flat Plate Stepped	D1370	Right (Passenger)	EX225L 270 Style	EXAC225L270X	EXAC225L270XW
Two Tappets	Windows	Flat Plate Stepped	D1370	Left (Driver)	EX225L 271 Style	EXAC225L271X	EXAC225L271XW
Two Tappets	Windows	Flat Plate Stepped	D1370	Right (Passenger)	EX225L 272 Style	EXAC225L272X	EXAC225L272XW

AIR DISC CHAMBERS



OUTPERFORM
OUTLAST
OUTCLASS

- ✓ Exceeds 1 million test cycles
- ✓ Premium-grade diaphragms
- ✓ Single unit fits both sides
- ✓ E-coated and zinc-plated



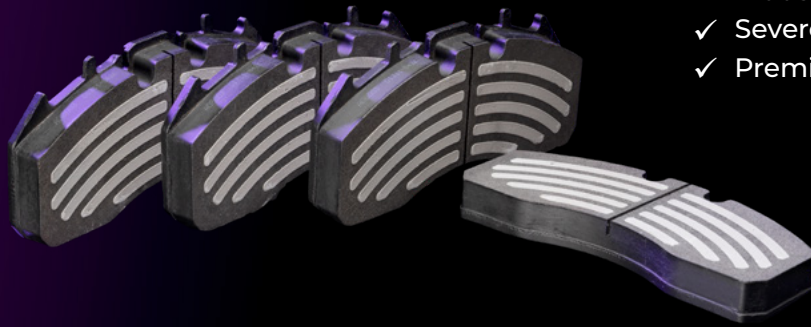
AIR DISC CHAMBERS

Diaphragm: Single or Double	Pushrod Type	Clamp(s) OD: Closet to Mounting Studs	Clamp(s) OD: Farthest to Mounting Studs	Ports Shape	Notes	SilverbackHD Part #
Double	Non-Threaded	6.69"	7.28"	Round	Air Disc Brake Complete	1624ADSB
Double	Non-Threaded	6.69"	7.28"	Round	Air Disc Brake Complete	1824ADSB
Double	Non-Threaded	6.89"	7.32"	Round	Air Disc Brake Complete	2024ADSB
Double	Non-Threaded	7.48"	7.32"	Round	Air Disc Brake Complete	2424ADSB
Single	Non-Threaded	6.69"	N/A	Round	Air Disc Service Chamber	16ADSC
Single	Non-Threaded	6.69"	N/A	Round	Air Disc Service Chamber	18ADSC
Single	Non-Threaded	6.89"	N/A	Round	Air Disc Service Chamber	20ADSC
Single	Non-Threaded	7.48"	N/A	Round	Air Disc Service Chamber	24ADSC

SILVERBACK[®]

OUTPERFORM
OUTLAST
OUTCLASS

- ✓ 14,000-ft-lb torque for fast, safe stops
- ✓ 22% shorter stopping distance vs. RSD
- ✓ Less pad and rotor wear vs. industry average
- ✓ Severe duty also available
- ✓ Premium hardware included



AIR DISC PADS

WISDOM[®]
RELIABLE · REASONABLE

- ✓ Rated 23K axle load

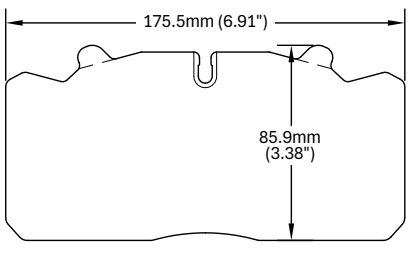
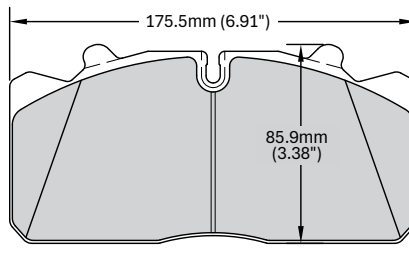



AIR DISC PADS

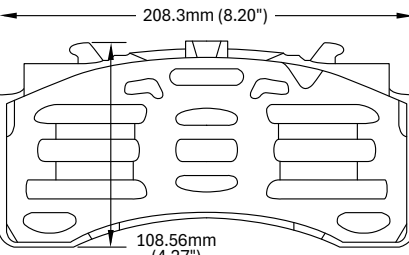
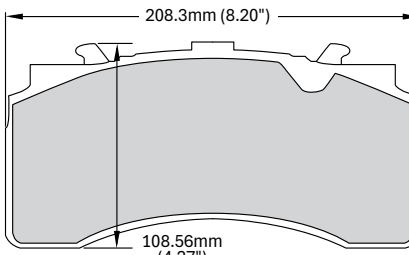

- A. Measure the overall length of the backing plate.**
- B. Measure the overall height of the steel plate.**
- C. Identify the backing plate design using pictures.**

A	B	Application	SilverbackHD Part # (SD: Severe Duty)	Wisdom Part #
Overall Length	Overall Height			
175.5mm (6.91")	85.9mm (3.38")	Wabco PAN17 Style	D1518-8727, D1518-8727SD	D1518-8727SM
208.3mm (8.20")	108.56mm (4.27")	Wabco MAXXUS L 2.0 Style	D2588-9816, D2588-9816SD	
210mm (8.27")	93.8mm (3.70")	Haldex Midland Style	D1583-8795, D1583-8795SD	
210.3mm (8.28")	92.7mm (3.65")	Wabco PAN19 Style	D1438-8556, D1438-8556SD	D1438-8556SM
210.3mm (8.28")	107.7mm (4.24")	Bendix ADB22X Style	D1369-8479, D1369-8479SD	D1369-8479SM
210.3mm (8.28")	108mm (4.25")	Wabco MAXXUS Style	D2061-9294	D2061-9294SM
210.3mm (8.28")	109.7mm (4.32")	Wabco PAN22 / MAXX 22T Styles	D1777-9007, D1777-9007SD	D1777-9007SM
215mm (8.47")	111mm (4.37")	SAF Holland ST7 Style	D2252-9490, D2252-9490SD	
216.2mm (8.51")	96.85mm (3.81")	Meritor EX225L (Short) Style	D2421-9645, D2421-9645SD	
216.2mm (8.51")	111mm (4.37")	Meritor EX225L Style	D1370-8480, D1370-8480SD	D1370-8480SM
216.2mm (8.51")	111mm (4.37")	Meritor EX225L (Notched) Style	D2526-9757, D2526-9757SD	
247.1mm (9.73")	109.5mm (4.31")	Bendix SB7 and SN7 Styles	D1203-8323, D1203-8323SD	D1203-8323SM
249.4mm (9.82")	116.6mm (4.59")	Meritor EX225 Style	D1311-8426, D1311-8426SD	D1311-8426SM
249.4mm (9.82")	117.9mm (4.64")	Meritor D-ELSA 2 Style	D1310-8425	
249.4mm (9.82")	118.1mm (4.65")	Meritor D-ELSA 1 Style	D1407-8515	
249.7mm (9.83")	109.5mm (4.31")	Meritor ELSA 225-3 Style	D1708-8931, D1708-8931SD	D1708-8931SM
249.7mm (9.83")	114.3mm (4.5")	Meritor D-LISA Style	D1312-8427	

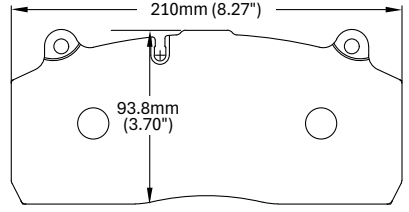
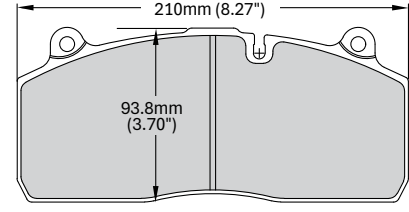
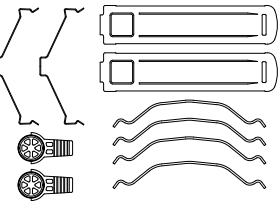
D1518-8727, D1518-8727SD, D1518-8727SM

	Backing Plate Design	Friction Side	c/w Hardware Kit / HKD1518
Overall Length 175.5mm (6.91")			
Overall Height 85.9mm (3.38")			

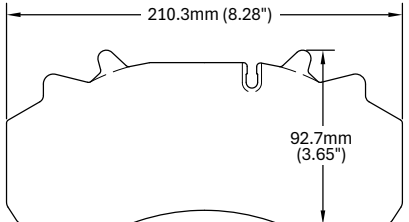
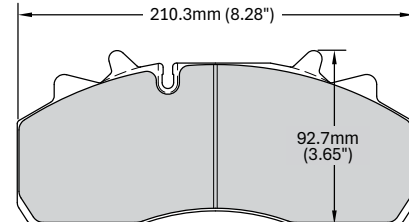

D2588-9816, D2588-9816SD

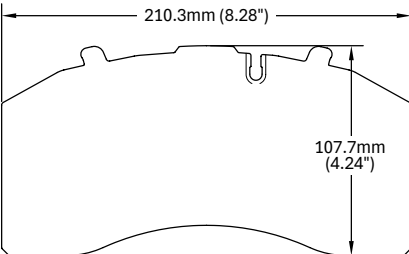
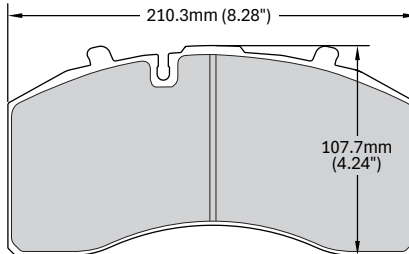
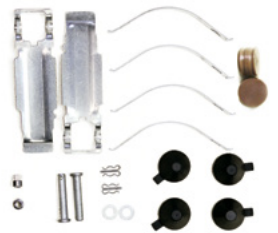
	Backing Plate Design	Friction Side	c/w Hardware Kit / HKD2588
Overall Length 208.3mm (8.20")			
Overall Height 108.56mm (4.27")			

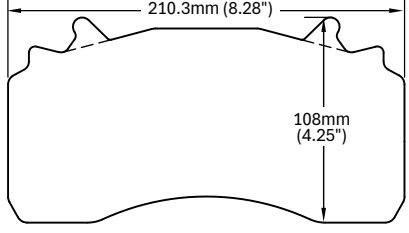
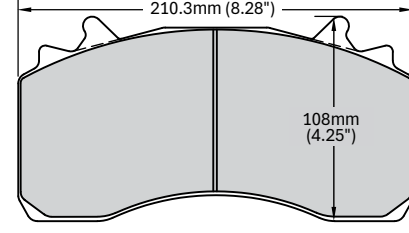

D1583-8795, D1583-8795SD

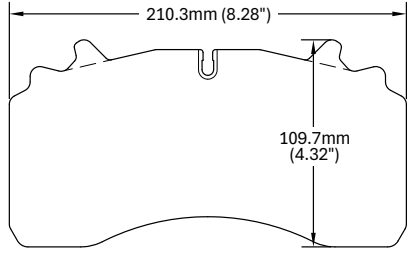
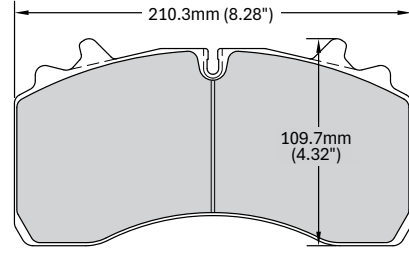

	Backing Plate Design	Friction Side	c/w Hardware Kit / HKD1583
Overall Length 210mm (8.27")			
Overall Height 93.8mm (3.70")			

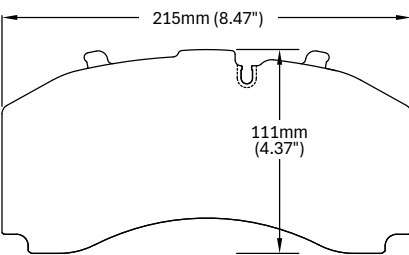
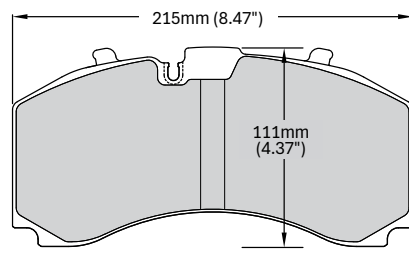
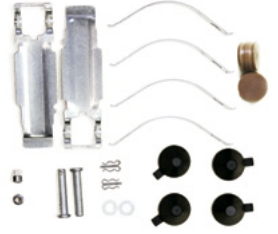
D1438-8556, D1438-8556SD, D1438-8556SM

	Backing Plate Design	Friction Side	c/w Hardware Kit / HKD1438
Overall Length 210.3mm (8.28")			
Overall Height 92.7mm (3.65")			

D1369-8479, D1369-8479SD, D1369-8479SM			
	Backing Plate Design	Friction Side	c/w Hardware Kit / HKD1369
Overall Length 210.3mm (8.28")			
Overall Height 107.7mm (4.24")			

D2061-9294, D2061-9294SM			
	Backing Plate Design	Friction Side	c/w Hardware Kit / HKD2061
Overall Length 210.3mm (8.28")			
Overall Height 108mm (4.25")			

D1777-9007, D1777-9007SD, D1777-9007SM			
	Backing Plate Design	Friction Side	c/w Hardware Kit / HKD1777
Overall Length 210.3mm (8.28")			
Overall Height 109.7mm (4.32")			

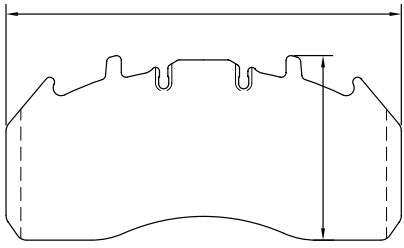
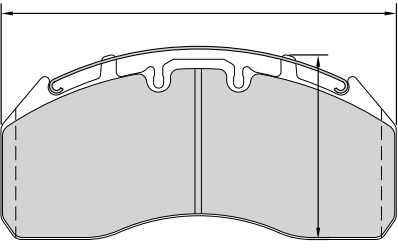

D2252-9490, D2252-9490SD			
	Backing Plate Design	Friction Side	c/w Hardware Kit / HKD1369
Overall Length 215mm (8.47")			
Overall Height 111mm (4.37")			

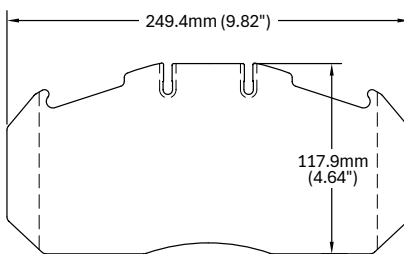
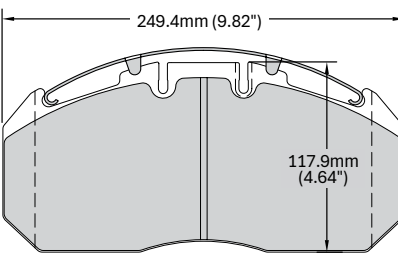

D2421-9645, D2421-9645SD			
	Backing Plate Design	Friction Side	c/w Hardware Kit / HKD1311
Overall Length 216.2mm (8.51")			
Overall Height 96.85mm (3.81")			

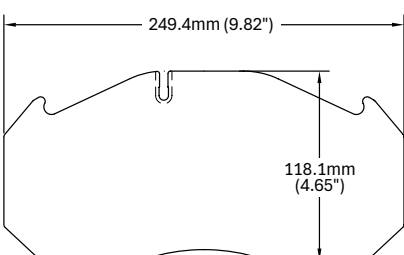
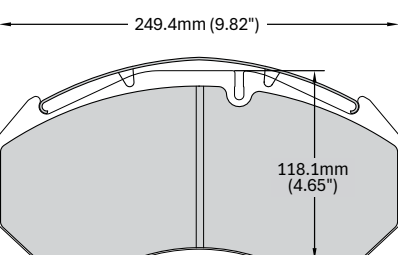

D1370-8480, D1370-8480SD, D1370-8480SM			
	Backing Plate Design	Friction Side	c/w Hardware Kit / HKD1311
Overall Length 216.2mm (8.51")			
Overall Height 111mm (4.37")			

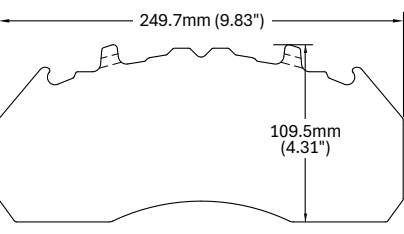
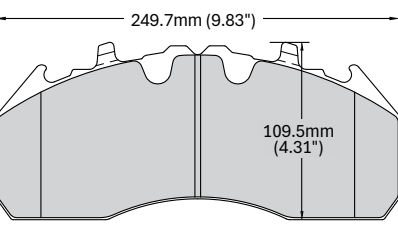

D2526-9757, D2526-9757SD			
	Backing Plate Design	Friction Side	c/w Hardware Kit / HKD1311
Overall Length 216.2mm (8.51")			
Overall Height 111mm (4.37")			

D1203-8323, D1203-8323SD, D1203-8323SM			
	Backing Plate Design	Friction Side	c/w Hardware Kit / HKD1203
Overall Length 247.1mm (9.73")			
Overall Height 109.5mm (4.31")			

D1311-8426, D1311-8426SD, D1311-8426SM			
	Backing Plate Design	Friction Side	c/w Hardware Kit / HKD1311
Overall Length 249.4mm (9.82")			
Overall Height 116.6mm (4.59")			

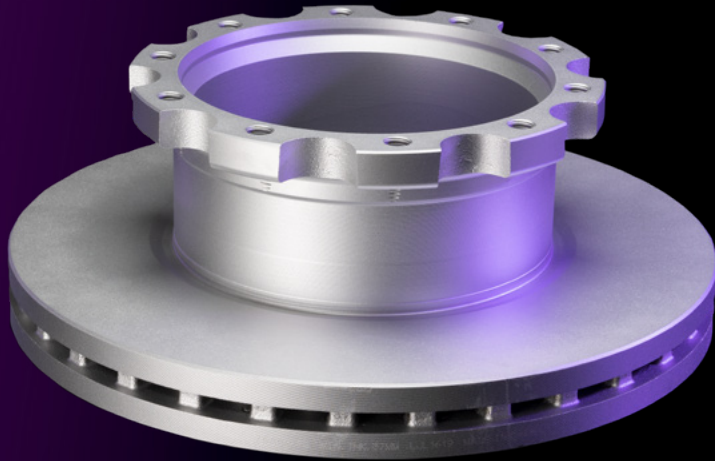
D1310-8425			
	Backing Plate Design	Friction Side	c/w Hardware Kit / HKD1310-D1407
Overall Length 249.4mm (9.82")			
Overall Height 117.9mm (4.64")			

D1407-8515			
	Backing Plate Design	Friction Side	c/w Hardware Kit / HKD1310-D1407
Overall Length 249.4mm (9.82")			
Overall Height 118.1mm (4.65")			

D1708-8931, D1708-8931SD, D1708-8931SM			
	Backing Plate Design	Friction Side	c/w Hardware Kit / HKD1311
Overall Length 249.7mm (9.83")			
Overall Height 109.5mm (4.31")			

D1312-8427

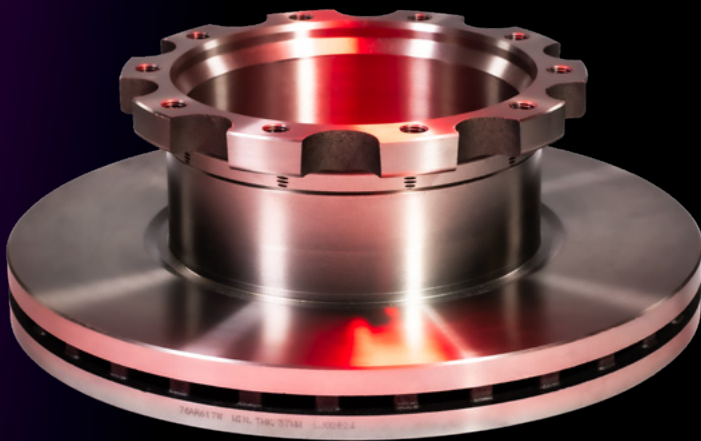
	Backing Plate Design	Friction Side	c/w Hardware Kit / HKD1312
Overall Length 249.7mm (9.83")			
Overall Height 114.3mm (4.5")			



SILVERBACK^{HD} OUTPERFORM
OUTLAST
OUTCLASS

- ✓ High-carbon grey iron provides excellent heat dissipation for longer brake life
- ✓ Precision mill-balanced
- ✓ Patented GEOMET[®] corrosion protection
- ✓ Complete hardware set included, where applicable

AIR DISC ROTORS



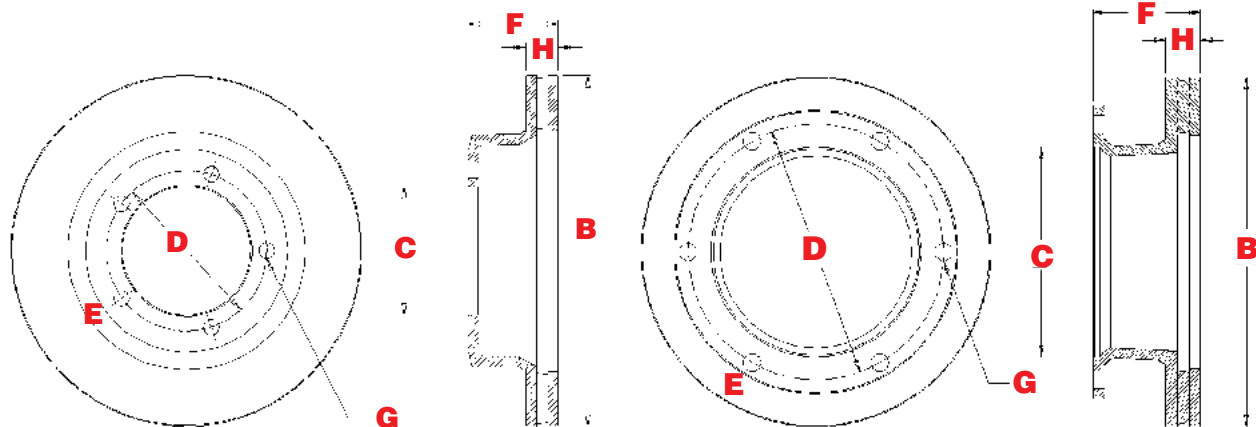
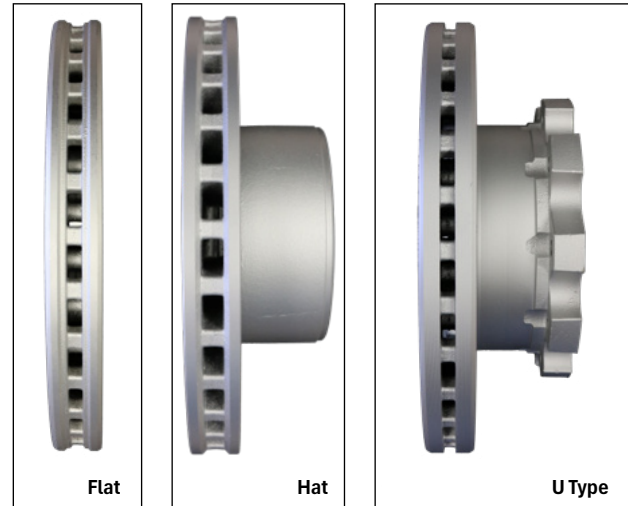
WISDOM[®]
RELIABLE · REASONABLE

- ✓ Precision mill-balanced

AIR DISC ROTORS

- A.** Identify the style: Flat, Hat or U type.
- B.** Measure overall diameter.
- C.** Measure pilot diameter.
- A.** Measure bolt circle diameter from centre of bolt holes.
- E.** Count bolt holes.
- F.** Measure overall depth.
- G.** Measure bolt hole size.
- H.** Measure thickness or see minimum thickness stamped or cast on rotor.

Lastly, note whether it has any features such as ABS rings or splined mounting.



A	B	C	D	E	F	G	H	Special Info.	SilverbackHD Part #	Wisdom Part #
Style	Overall Dia.	Pilot Dia.	Bolt Circle	Bolt Hole Qty.	Overall Depth	Bolt Hole Size.	Disc Thickness			
Flat	430.0mm (16.92")	178.0mm (7.01")	205.0mm (8.07")	10	57.4mm (2.26")	0.59"	45.0mm (1.77")	C/W 10 bolts and 10 flat washers	76AR626G	
Flat	430.0mm (16.92")	217.0mm (8.54")	230.0mm (9.06")	N/A	45.0mm (1.77")	Splined	45.0mm (1.77")	Hardware included	76AR692G	76AR692W
Hat	434.0mm (17.08")	135.3mm (5.32")	168.0mm (6.61") 178.0mm (7.00")	12 and 4	131.0mm (5.16")	18.9mm M16X2.0	45.0mm (1.77")		56AR641G	56AR641W
U	325.1mm (12.80")	173.0mm (6.81")	196.1mm (7.72")	8	148.6mm (5.85")	M14-2	34.0mm (1.34")	ABS cast teeth	75AR180G	75AR180W

A	B	C	D	E	F	G	H	Special Info.	SilverbackHD Part #	Wisdom Part #
Style	Overall Dia.	Pilot Dia.	Bolt Circle	Bolt Hole Qty.	Overall Depth	Bolt Hole Size.	Disc Thickness			
U	376.9mm (14.85")	220.0mm (8.66")	249.4mm (9.82")	10	149.9mm (5.90")	M16-2	45.0mm (1.77")	ABS cast teeth	71AR601G	71AR601W
U	430.0mm (16.92")	220.0mm (8.65")	249.4mm (9.82")	10	138.0mm (5.44")	5/8"UNC	45.0mm (1.77")		76AR618G	76AR618W
U	430.0mm (16.92")	220.0mm (8.65")	249.4mm (9.82")	10	150.0mm (5.91")	5/8"UNC	45.0mm (1.77")		76AR617G	76AR617W
U	430.0mm (16.92")	220.0mm (8.65")	249.4mm (9.82")	10	150.0mm (5.90")	M16-2	45.0mm (1.77")	ABS cast teeth	76AR613G	76AR613W
U	430.0mm (16.92")	328.7mm (12.94") OD	285.8mm (11.25")	10	159.5mm (6.28")	M16X1.5 R.H.	45.0mm (1.77")		10AR020109G	10AR020109W
U	434.0mm (17.08")	194.0mm (7.64")	249.4mm (9.82")	10	143.5mm (5.65")	M16X2-6	45.0mm (1.77")		76AR606G	76AR606W
U	434.0mm (17.08")	215.9mm (8.50")	266.7mm (10.50")	10	143.5mm (5.65")	5/8"-18UNF	45.0mm (1.77")		56AR642G	56SAR642W
Flat	430mm (16.92")	167mm (6.56")	200mm (7.86")	10	53mm (2.09")	5/8"	45mm (1.77")	C/W ABS ring, lock ring and 10 nuts	76AR801G	76AR801W
U	415mm (16.34")	211mm (8.66")	249.5mm (9.82")	10	150mm (5.9")	M16-2	43mm (1.69")	C/W 10 bolts and 10 flat washers	76AR901G	
U	415mm (16.34")	324mm (12.75")	285.8mm (11.25")	10	175mm (6.80")	0.982"	43mm (1.69")	C/W 10 studs 22mm X 110mm	41AR5332G	
Flat	430mm (16.92")	167mm (6.56")	200mm (7.86")	10	53mm (2.09")	0.66"	45mm (1.77")	Includes ABS rings for both steer and drive axles	10AR083733G	
Flat	434mm (17.08")	167mm (6.56")	200mm (7.86")	10	53mm (2.09")	0.66"	45mm (1.77")	Includes ABS rings for both steer and drive axles	10AR034621G	



AIR DISC QUICK REFERENCE GUIDE

Calipers				Chambers	Pad Sets		Rotors	
SilverbackHD Part # & Location	Wisdom Part # & Location	SilverbackHD Bolt Kit Part #*	Notes	SilverbackHD Part #	SilverbackHD Part #	Wisdom Part #	SilverbackHD Part #	Wisdom Part #
01AC2341X Left P89 axle Right C88 axle	01AC2341XW Left P89 axle Right C88 axle	HKSK7ST7	Trailers SAF Holland SK7 Style	1824ADSB	D1369-8479, D1369-8479SD	D1369-8479SM	76AR626G	76AR626W
01AC2342X Right P89 axle Left C88 axle	01AC2342XW Right P89 axle Left C88 axle	HKSK7ST7	Trailers SAF Holland SK7 Style	1824ADSB	D1369-8479, D1369-8479SD	D1369-8479SM	76AR626G	76AR626W
10AC9957X Right	10AC9957XW Right	HKADB22X	Freightliner Style	1824ADSB, 18ADSC	D1369-8479, D1369-8479SD	D1369-8479SM	76AR617G, 76AR618G, 76AR692G	76AR617W, 76AR618W, 76AR692W
10AC9958X Left	10AC9958XW Left	HKADB22X	Freightliner Style	1824ADSB, 18ADSC	D1369-8479, D1369-8479SD	D1369-8479SM	76AR617G, 76AR618G, 76AR692G	76AR617W, 76AR618W, 76AR692W
10AC9961X Right	10AC9961XW Right	HKADB22XH	All trucks except Freightliner Style	1824ADSB, 18ADSC	D1369-8479, D1369-8479SD	D1369-8479SM	76AR617G, 76AR618G, 76AR692G	76AR617W, 76AR618W, 76AR692W
10AC9962X Left	10AC9962XW Left	HKADB22XH	All trucks except Freightliner Style	1824ADSB, 18ADSC	D1369-8479, D1369-8479SD	D1369-8479SM	76AR617G, 76AR618G, 76AR692G	76AR617W, 76AR618W, 76AR692W
14AC9714X (old 11AC3887X) Right		HKADB22XH	Trailers	1824ADSB, 18ADSC	D1369-8479, D1369-8479SD	D1369-8479SM	76AR617G, 76AR618G, 76AR692G	76AR617W, 76AR618W, 76AR692W
14AC9715X (old 11AC3888X) Left		HKADB22XH	Trailers	1824ADSB, 18ADSC	D1369-8479, D1369-8479SD	D1369-8479SM	76AR617G, 76AR618G, 76AR692G	76AR617W, 76AR618W, 76AR692W
40AC175072 Left	40AC175072W Left	HKPAN17	Trailer PAN17 Style	2024ADSB, 20ADSC	D1518-8727, D1518-8727SD	D1518-8727SM	75AR180G	75AR180W
40AC175073 Right	40AC175073W Right	HKPAN17	Trailer PAN17 Style	2024ADSB, 20ADSC	D1518-8727, D1518-8727SD	D1518-8727SM	75AR180G	75AR180W
40AC195037 Left	40AC195037W Left	HKPAN1922I	PAN19 Style – Trailers	1624ADSB, 16ADSC	D1438-8556, D1438-8556SD	D1438-8556SM	71AR601G	71AR601W
40AC195038 Right	40AC195038W Right	HKPAN1922I	PAN19 Style – Trailers	1624ADSB, 16ADSC	D1438-8556, D1438-8556SD	D1438-8556SM	71AR601G	71AR601W
40AC225015 Left	40AC225015W Left	HKPAN1922I	PAN22 Style – IMT, Reyco, Ridewell, SAF Holand & AXN Styles, Trailers	2024ADSC, 20ADSC	D1777-9007, D1777-9007SD	D1777-9007SM	76AR613G, 76AR801G	76AR613W, 76AR801W
40AC225016 Right	40AC225016W Right	HKPAN1922I	PAN22 Style – IMT, Reyco, Ridewell, SAF Holand & AXN Styles, Trailers	2024ADSC, 20ADSC	D1777-9007, D1777-9007SD	D1777-9007SM	76AR613G, 76AR801G	76AR613W, 76AR801W
51AC830052 Left	51AC830052W Left	HKSK7ST7	SAF Holland ST7 – Trailers	1624ADSB, 1824ADSB	D2252-9490, D2252-9490SD		76AR626G	76AR626W
51AC830053 Right	51AC830053W Right	HKSK7ST7	SAF Holland ST7 – Trailers	1624ADSB, 1824ADSB	D2252-9490, D2252-9490SD		76AR626G	76AR626W
64AC02220070 Left	64AC02220070W Left	HKMAXX22T	MAXX22T Style – Trailers	1824ADSB, 2024ADSB	D1777-9007, D1777-9007SD	D1777-9007SM	76AR901G, 41AR5332G	76AR901W, 41AR5332W

*Only included with SilverbackHD Air Disc Calipers (where applicable).

Calipers				Chambers	Pad Sets		Rotors	
SilverbackHD Part # & Location	Wisdom Part # & Location	SilverbackHD Bolt Kit Part #*	Notes	SilverbackHD Part #	SilverbackHD Part #	Wisdom Part #	SilverbackHD Part #	Wisdom Part #
64AC02220080 <i>Right</i>	64AC02220080W <i>Right</i>	HKMAXX22T	MAXX22T Style – Trailers	1824ADSB, 2024ADSB	D1777-9007, D1777-9007SD	D1777-9007SM	76AR901G, 41AR5332G	76AR901W, 41AR5332W
64AC02250800 <i>Left</i>	64AC02250800W <i>Left</i>	HKADB22XH	PAN22 Style – Hendrickson & Meritor Styles, Trailers	20ADSC, 2024ADSB	D1777-9007, D1777-9007SD	D1777-9007SM	76AR613G, 76AR801G	76AR613W, 76AR801G
64AC02250810 <i>Right</i>	64AC02250810W <i>Right</i>	HKADB22XH	PAN22 Style – Hendrickson & Meritor Styles, Trailers	20ADSC, 2024ADSB	D1777-9007, D1777-9007SD	D1777-9007SM	76AR613G, 76AR801G	76AR613W, 76AR801G
64AC03220650 <i>Left</i>	64AC03220650W <i>Left</i>	HKH225286	Freightliner MAXXUS Style	18ADSC, 1824ADSB, 2024ADSB	D2061-9294	D2061-9294SM	10AR020109G	10AR020109W
64AC03220660 <i>Right</i>	64AC03220660W <i>Right</i>	HKH225286	Freightliner MAXXUS Style	18ADSC, 1824ADSB, 2024ADSB	D2061-9294	D2061-9294SM	10AR020109G	10AR020109W
EXAC225H201X <i>Right</i>	EXAC225H201XW <i>Right</i>	HKH225206, HKMERFFFG, HKMERFHFL	EX225H 201 Style – Transit	Varies – check with OEM	D1311-8426, D1311-8426SD	D1311-8426SM	56AR641G, 56AR642G, 76AR606G	56AR641W, 56AR642W, 76AR606W
EXAC225H202X <i>Left</i>	EXAC225H202XW <i>Left</i>	HKH225206, HKMERFFFG, HKMERFHFL	EX225H 202 Style – Transit	Varies – check with OEM	D1311-8426, D1311-8426SD	D1311-8426SM	56AR641G, 56AR642G, 76AR606G	56AR641W, 56AR642W, 76AR606W
EXAC225H205X <i>Right</i>	EXAC225H205XW <i>Right</i>	HKH225206, HKMERFFFG, HKMERFHFL	EX225H 205 Style – International HV, Transit, Waste	Varies – check with OEM	D1311-8426, D1311-8426SD	D1311-8426SM	10AR020109G, 56AR641G, 56AR642G, 76AR606G	10AR020109W, 56AR641W, 56AR642W, 76AR606W
EXAC225H206X <i>Left</i>	EXAC225H206XW <i>Left</i>	HKH225206, HKMERFFFG, HKMERFHFL	EX225H 206 Style – International HV, Transit, Waste	Varies – check with OEM	D1311-8426, D1311-8426SD	D1311-8426SM	10AR020109G, 56AR641G, 56AR642G, 76AR606G	10AR020109W, 56AR641W, 56AR642W, 76AR606W
EXAC225H225X <i>Left</i>	EXAC225H225XW <i>Left</i>	HKH225226	EX225H 225 Style – Volvo/ Mack, Drive, Refuse	Varies – check with OEM	D1708-8931, D1708-8931SD	D1708-8931SM	56AR641G, 56AR642G, 76AR606G	56AR641W, 56AR642W, 76AR606W
EXAC225H226X <i>Right</i>	EXAC225H226XW <i>Right</i>	HKH225226	EX225H 226 Style – Volvo/ Mack, Drive, Refuse	Varies – check with OEM	D1708-8931, D1708-8931SD	D1708-8931SM	56AR641G, 56AR642G, 76AR606G	56AR641W, 56AR642W, 76AR606W
EXAC225H227X <i>Left</i>	EXAC225H227XW <i>Left</i>	HKH227228	EX225H 227 Style – Volvo/ Mack, Steer, Refuse	Varies – check with OEM	D1708-8931, D1708-8931SD	D1708-8931SM	56AR641G, 56AR642G, 76AR606G	56AR641W, 56AR642W, 76AR606W
EXAC225H228X <i>Right</i>	EXAC225H228XW <i>Right</i>	HKH227228	EX225H 228 Style – Volvo/ Mack, Steer, Refuse	Varies – check with OEM	D1708-8931, D1708-8931SD	D1708-8931SM	56AR641G, 56AR642G, 76AR606G	56AR641W, 56AR642W, 76AR606W
EXAC225H301X <i>Right</i>	EXAC225H301XW <i>Right</i>	HKH225206, HKMERFFFG, HKMERFHFL	EX225H 301 Style – Transit, Refuse	Varies – check with OEM	D1311-8426, D1311-8426SD	D1311-8426SM	56AR641G, 56AR642G, 76AR606G	56AR641W, 56AR642W, 76AR606W
EXAC225H302X <i>Left</i>	EXAC225H302XW <i>Left</i>	HKH225206, HKMERFFFG, HKMERFHFL	EX225H 302 Style – Transit, Refuse	Varies – check with OEM	D1311-8426, D1311-8426SD	D1311-8426SM	56AR641G, 56AR642G, 76AR606G	56AR641W, 56AR642W, 76AR606W
EXAC225L201X <i>Right</i>	EXAC225L201XW <i>Right</i>	HKH227228	EX225L 201 Style – Hendrickson Trailers (2009–2017)	18ADSC, 20ADSC, 1824ADSB, 2024ADSB	D1370-8480, D1370-8480SD	D1370-8480SM	76AR801G	76AR801W
EXAC225L202X <i>Left</i>	EXAC225L202XW <i>Left</i>	HKH227228	EX225L 202 Style – Hendrickson Trailers (2009–2017)	18ADSC, 20ADSC, 1824ADSB, 2024ADSB	D1370-8480, D1370-8480SD	D1370-8480SM	76AR801G	76AR801W

*Only included with SilverbackHD Air Disc Calipers (where applicable).

Calipers				Chambers	Pad Sets		Rotors	
SilverbackHD Part # & Location	Wisdom Part # & Location	SilverbackHD Bolt Kit Part #*	Notes	SilverbackHD Part #	SilverbackHD Part #	Wisdom Part #	SilverbackHD Part #	Wisdom Part #
EXAC225L261X <i>Left</i>	EXAC225L261XW <i>Left</i>	HKADB22XH	EX225L 261 Style – Freight- liner Cascadia (2018–2025), Peterbilt	18ADSC, 20ADSC, 1824ADSB, 2024ADSB	D1370-8480, D1370-8480SD	D1370-8480SM	10AR083733G, includes ABS rings for both steer and drive axles	
EXAC225L262X <i>Right</i>	EXAC225L262XW <i>Right</i>	HKADB22XH	EX225L 262 Style – Freight- liner Cascadia (2018–2025), Peterbilt	18ADSC, 20ADSC, 1824ADSB, 2024ADSB	D1370-8480, D1370-8480SD	D1370-8480SM	10AR083733G, includes ABS rings for both steer and drive axles	
EXAC225L269X <i>Left</i>	EXAC225L269XW <i>Left</i>	HKH225226	EX225L 269 Style – Volvo radial mount drive axles	18ADSC, 20ADSC, 1824ADSB, 2024ADSB	D1370-8480, D1370-8480SD	D1370-8480SM	10AR034621G, includes ABS rings for both steer and drive axles	
EXAC225L270X <i>Right</i>	EXAC225L270XW <i>Right</i>	HKH225226	EX225L 270 Style – Volvo radial mount drive axles	18ADSC, 20ADSC, 1824ADSB, 2024ADSB	D1370-8480, D1370-8480SD	D1370-8480SM	10AR034621G, includes ABS rings for both steer and drive axles	
EXAC225L271X <i>Left</i>	EXAC225L271XW <i>Left</i>	HKH227228	EX225L 271 Style – Hyundai Translead Trailers	1824ADSB, 2024ADSB	D1370-8480, D1370-8480SD	D1370-8480SM	76AR801G	76AR801W
EXAC225L272X <i>Right</i>	EXAC225L272XW <i>Right</i>	HKH227228	EX225L 272 Style – Hyundai Translead Trailers	1824ADSB, 2024ADSB	D1370-8480, D1370-8480SD	D1370-8480SM	76AR801G	76AR801W

*Only included with SilverbackHD Air Disc Calipers (where applicable).



OUTPERFORM
OUTLAST
OUTCLASS

- ✓ No cores – new steel/new cast iron
- ✓ Ceramic friction
- ✓ Lifetime rust-jacking warranty (steel)
- ✓ 200–250°F cooler operating temperatures
- ✓ Significantly lower wear rates
- ✓ Severe duty also available
- ✓ Premium hardware included

BRAKE WHEEL KITS

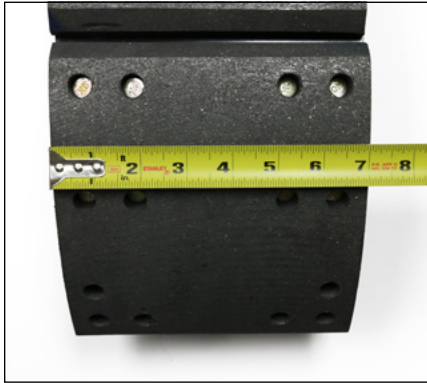


WISDOM[®]
RELIABLE · REASONABLE

- ✓ No cores – new lined shoes
- ✓ Mid-grade semi-metallic friction
- ✓ Complete hardware kit included

BRAKE WHEEL KITS

A. Identify shoe width.



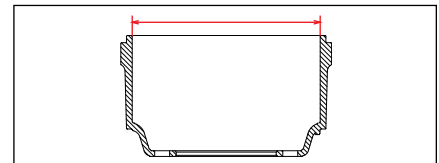
Determine the width of the shoe by measuring the shoe width as shown above. This 4707Q+ measures 7.00" in width.

B. Identify drum diameter.



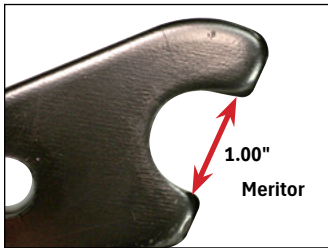
Drum diameter is equal to the Maximum Diameter that is stamped in your drum (minus 0.12").

Drum Casting	Drum Diameter
16.62"	16.50"
15.12"	15.00"
12.37"	12.25"

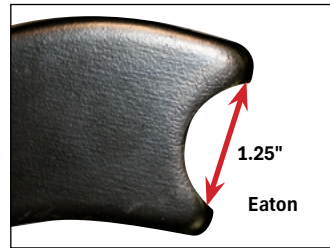


Measure brake surface diameter.

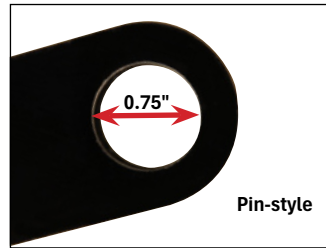
C. Identify shoe style.



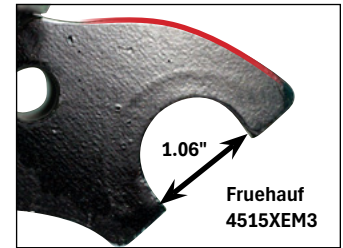
Meritor-style shoes have a 1.00" wide claw-shaped anchor end. They are also known as "Q" or "Q+" shoes because they can be quickly changed and do not have pin-styled ends.



Eaton-style shoes have a distinctively wider anchor end that measures approximately 1.25" wide.



Pin-style shoes use roller pins and/or anchor pins to secure the shoes in place. Unlike the previous styles, this end is closed and is commonly found on 7.50" wide by 12.25" diameter shoes.

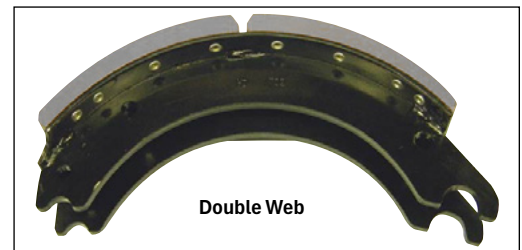


Fruehauf-style shoes have humps on the anchor end.

D. Count number of webs.



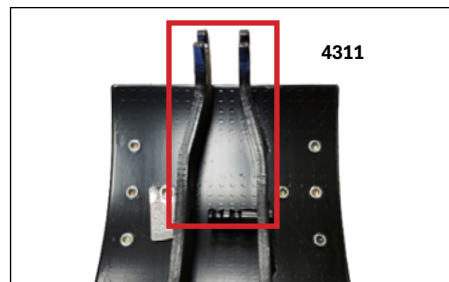
Pre-1995 steer shoes used a single web. After 1994, most steer shoes became double web.



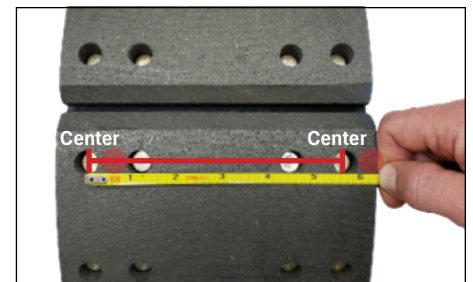
E. Identify shoe features.



Q-style shoe with hump near pin hole.



Narrowing cam end webs.



Center to center outside row of rivets.

F. Use chart and pictures to identify brake wheel kits.

A	B	C	D	E	SilverbackHD Part #s			Wisdom Part #s	
Shoe Width	Drum Dia.	Shoe Style	Web Qty.	Features	Hardware Kit	20K and 23K	23K HTP* 26K SD*	Hardware Kit	20K and 23K
4.00" Brake Shoes – Includes Hardware Kit									
4.00"	15.00"	Eaton	1	Center to center of rivets is 2.75". 14 rivets.	HK1308E	WK1308E-20KSB, WK1308E-23KSB		HK1308E-TZ	WK1308E-23KW
4.00"	15.00"	Eaton	1	Center to center of rivets is 2.00". 14 rivets.	HK1308E	WK1443E-20KSB, WK1443E-23KSB		HK1308E-TZ	WK1443E-23KW
4.00"	15.00"	Eaton	2	16 rivets.	HK4729E	WK4729ES-20KSB, WK4729ES-23KSB			
4.00"	15.00"	Meritor	1	Pre-1995. 14 rivets.	HK1308Q	WK1308Q-20KSB, WK1308Q-23KSB			
4.00"	15.00"	Meritor	2	No hump in web. 16 rivets.	HK4702Q	WK4702Q-20KSB, WK4702Q-23KSB		HK4702Q-TZ	WK4702Q-20KW, WK4702Q-23KW
5.00" Brake Shoes – Includes Hardware Kit									
5.00"	15.00"	Meritor	2	No hump in web. Steer axle.	HK4702Q	WK4703Q-20KSB, WK4703Q-23KSB			
5.00"	16.50"	Eaton	2	Steer axle.	HK4719E	WK4719ES2-20KSB, WK4719ES-23KSB		HK4719E-TZ	WK4719ES2-23KW
5.00"	16.50"	Meritor	2	Webs have small hump near hole. 1.05" from table. Drive axle. Center to center outside row of rivets 3.38".	HK4515Q-34	WK4524Q-20KSB, WK4524Q-23KSB			
5.00"	16.50"	Meritor	2	Webs have small hump near hole. 0.55" from table. Steer axle.	HK1657QM	WK4524QR-23KSB			
5.00"	16.50"	Meritor	2	Center to center outside row of rivets 3.63". No hump in web.	HK1657QM	WK4720Q-20KSB, WK4720Q-23KSB		HK1657QM-TZ	WK4720Q-23KW
6.00" Brake Shoes – Includes Hardware Kit									
6.00"	15.00"	Meritor	2	No hump in web.	HK4702Q	WK4704Q-23KSB			
6.00"	16.50"	Eaton	2		HK4719E	WK4725ES2-20KSB, WK4725ES2-23KSB		HK4719E-TZ	WK4725ES2-23KW
6.00"	16.50"	Meritor	2	Webs have small hump near hole. 1.05" from table. Drive axle. Center to center outside row of rivets 3.38".	HK4515Q-34	WK4514Q-23KSB			
6.00"	16.50"	Meritor	2	Center to center outside row of rivets 3.63". No hump in web.	HK1657QM	WK4715Q-20KSB, WK4715Q-23KSB		HK1657QM-TZ	WK4715Q-23KW
7.00" Brake Shoes – Includes Hardware Kit									
7.00"	15.00"	Meritor	2	No hump in web.	HK4702Q	WK4705Q-23KSB			
7.00"	16.50"	Eaton	2	Webs narrow at roller end from 2.00" to 1.00".	HK4311E	WK4311E-20KSB, WK4311E-23KSB		HK4311E-TZ	WK4311E-23KW
7.00"	16.50"	Eaton	2	ES2 shoes have no spring attaching tabs on table (4709ES2 replaces 4709ES).	HK4709E-12	WK4709ES2-20KSB, WK4709ES2-23KSB	WK4709ES2-23KSBHTP, WK4709ES2-26KSBSD	HK4709E-12-TZ	WK4709ES2-20KW, WK4709ES2-23KW
7.00"	16.50"	Eaton	2	Same as 4709ES2, but requires two small return springs per wheel for steer axle.	HK4719E	WK4709ES2F-23KSB			
7.00"	16.50"	Fruehauf	2	Webs have small hump near hole, plus hump on anchor end of webs.	HK4515F-3	WK4515XEM3-23KSB		HK4515F-3-TZ	WK4515XEM3-23KW

A	B	C	D	E	SilverbackHD Part #s			Wisdom Part #s	
Shoe Width	Drum Dia.	Shoe Style	Web Qty.	Features	Hardware Kit	20K and 23K	23K HTP* 26K SD*	Hardware Kit	20K and 23K
7.00"	16.50"	Meritor	2	Nickel-chromium molybdenum pivot bushings to maintain tight tolerances.	HK4515CSP		WK4515CP-26KSD		
7.00"	16.50"	Meritor	2	Webs have small hump near hole. Center to center outside row of rivets 5.38".	HK4515Q-34	WK4515Q-20KSB, WK4515Q-23KSB	WK4515Q-23KSBHTP	HK4515Q-34-TZ	WK4515Q-20KW, WK4515Q-23KW
7.00"	16.50"	Meritor	2	Center to center outside row of rivets 5.63". No hump in web.	HK4515Q-34	WK4707Q-20KSB, WK4707Q-23KSB	WK4707Q-23KSBHTP, WK4707Q-26KSBSD	HK4515Q-34-TZ	WK4707Q-20KW, WK4707Q-23KW
7.00"	16.50"	Meritor	2	Same as 4707Q, except steer axle.	HK1657QM	WK4707QR-23KSB			
7.50" Brake Shoes – Includes Hardware Kit									
7.50"	12.25"	Meritor (Dexter)	2	24 rivets. Closed roller pin hole. Hump at anchor end. Open anchor pin end.	HK1225DX	WK4591DX-23KSB			
7.50"	12.25"	Meritor	2	20 rivets. Closed roller pin hole. No hump at anchor end. Open anchor pin end.	HK1225Q	WK4670Q-23KSB			
7.50"	12.25"	Meritor (Spicer)	2	20 rivets. Open at both roller end and anchor end. 3 holes in each web. Old style had notches in webs for hold down spring. New style 4692Q replaces old style.	HK1225D-150	WK4692Q-20KSB, WK4692Q-23KSB			
7.50"	12.25"	Pin-Style (Standard Forge)	2	24 rivets. Roller and anchor holes closed both ends.	HK1225SF	WK4591SF-23KSB			
8.00" Brake Shoes – Includes Hardware Kit									
8.00"	16.50"	Meritor	2		HK4702Q		WK4710Q-26KSBSD		
8.00"	16.50"	Meritor	2	No hump in web.	HK4515Q-34	WK4718Q-23KSB	WK4718Q-23KSBHTP, WK4718Q-26KSBSD		
8.62" Brake Shoes – Includes Hardware Kit									
8.62"	15.00"	Meritor	2	No hump in web.	HK4702Q	WK4710Q-23KSB	WK4710Q-23KSBHTP		
8.62"	16.50"	Eaton	2		HK4709E-12	WK4726ES2-20KSB, WK4726ES2-23KSB	WK4726ES2-23KSBHTP, WK4726ES2-26KSBSD	HK4709E-12-TZ	WK4726ES2-23KW
8.62"	16.50"	Meritor	2	Webs have small hump near hole. Center to center outside row of rivets 7.00".	HK4515Q-34	WK4551Q-20KSB, WK4551Q-23KSB			
8.62"	16.50"	Meritor	2	Center to center outside row of rivets 6.63". No hump in web.	HK4515Q-34	WK4711Q-20KSB, WK4711Q-23KSB	WK4711Q-23KSBHTP, WK4711Q-26KSBSD	HK4515Q-34-TZ	WK4711Q-23KW

* **HTP:** High-Temp Formula; **SD:** Severe Duty

4.00" Brake Shoes

Center to center of rivet holes is 2.75"

15.00" X 4.00"
EATON STYLE
FMSI #1308TT
WK1308E-*KSB
WK1308E-23KW

Center to center of rivet holes is 2.00"

15.00" X 4.00"
EATON STYLE
FMSI #1443TT
WK1443E-*KSB
WK1443E-23KW

15.00" X 4.00"
EATON ES STYLE
FMSI #4729
WK4729ES2-*KSB

15.00" X 4.00"
MERITOR Q STYLE
FMSI #1308TT
WK1308Q-*KSB

15.00" X 4.00"
MERITOR Q+ STYLE
FMSI #4702
WK4702Q-*KSB
WK4702Q-20KW
WK4702Q-23KW

5.00" Brake Shoes

15.00" X 5.00"
MERITOR Q+ STYLE
FMSI #4703
WK4703Q-*KSB

16.50" X 5.00"
EATON ES2 STYLE
FMSI #4719
WK4719ES2-*KSB
WK4719ES2-23KW

1.05"

16.50" X 5.00"
MERITOR Q STYLE
FMSI #4524
WK4524Q-*KSB

0.55"

16.50" X 5.00"
MERITOR Q STEER STYLE
FMSI #4524
WK4524QR-23KSB

16.50" X 5.00"
MERITOR Q+ STYLE
FMSI #4720
WK4720Q-*KSB
WK4720Q-23KW

6.00" Brake Shoes

15.00" X 6.00"
MERITOR Q+ STYLE
FMSI #4704
WK4704Q-*KSB

16.50" X 6.00"
EATON ES2 STYLE
FMSI #4725
WK4725ES2-*KSB
WK4725ES2-23KW

1.05"

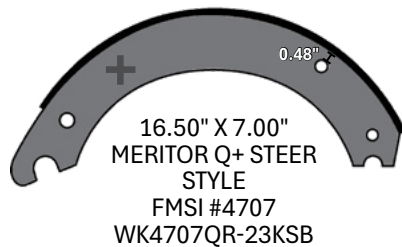
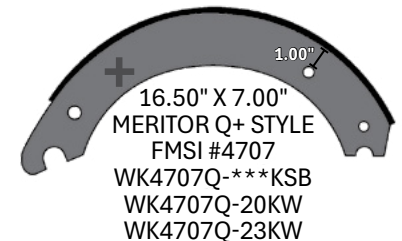
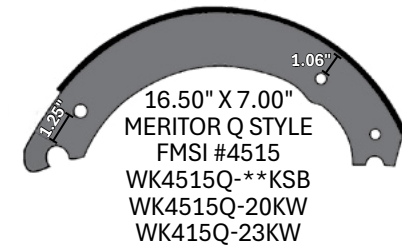
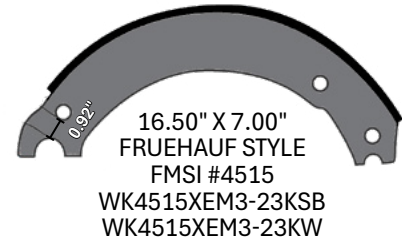
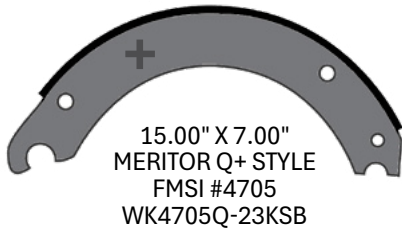
16.50" X 6.00"
MERITOR Q STYLE
FMSI #4514
WK4514Q-*KSB

0.55"

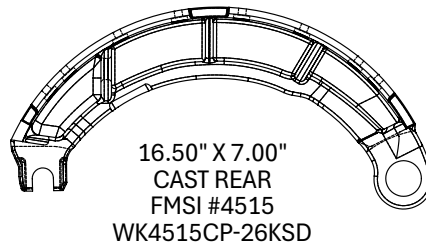
16.50" X 6.00"
MERITOR Q STEER STYLE
FMSI #4514
WK4514QR-*KSB

16.50" X 6.00"
MERITOR Q+ STYLE
FMSI #4715
WK4715Q-*KSB
WK4715Q-23KW

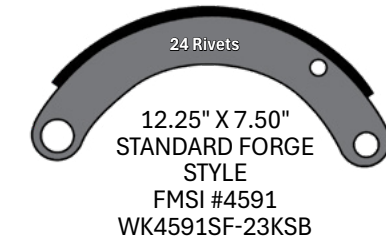
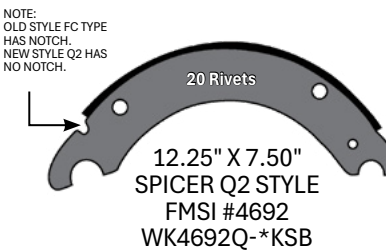
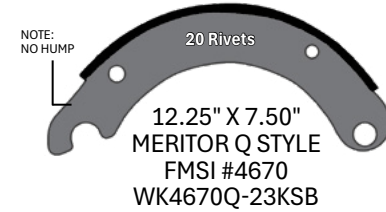
7.00" Brake Shoes



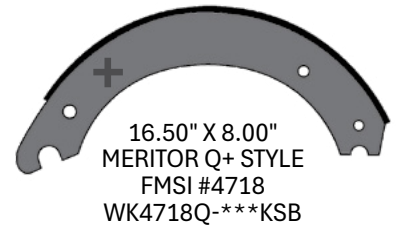
7.00" Cast Shoes



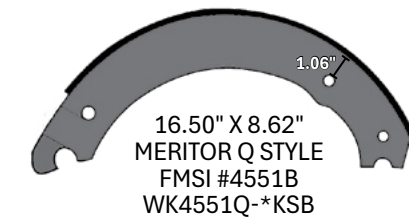
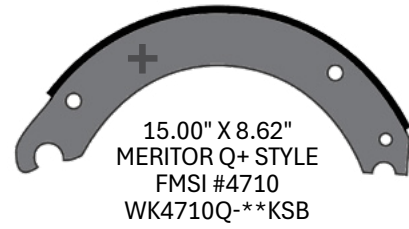
7.50" Brake Shoes



8.00" Brake Shoes



8.62" Brake Shoes

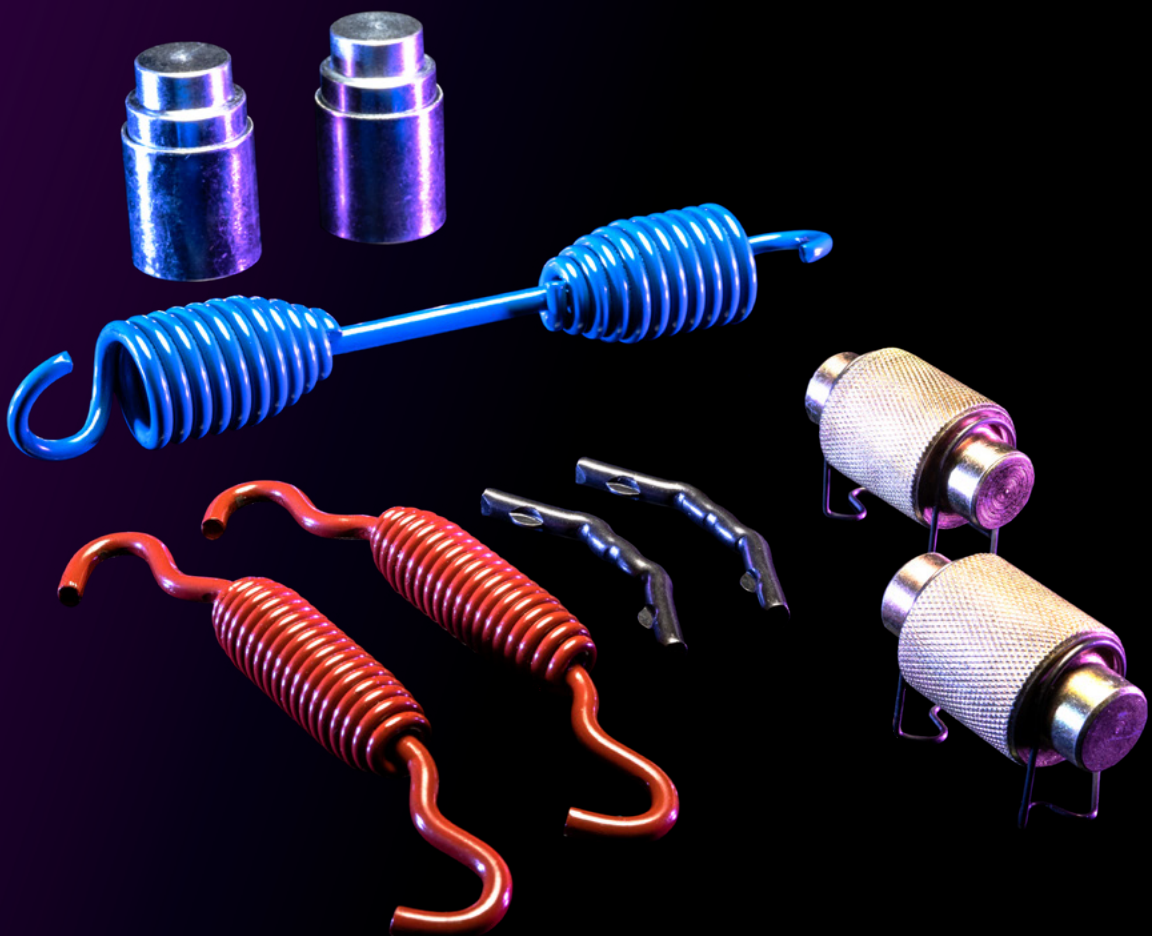


* Available in 20K or 23K

** Available in 20K, 23K or 23KSBHTP

*** Available in 20K, 23K, 23KSBHTP, 26KSBSD

BRAKE HARDWARE KITS



OUTPERFORM
OUTLAST
OUTCLASS

- ✓ Heat-treated and plated pins and rollers
- ✓ Powder-coated, high-tensile springs

BRAKE HARDWARE KITS

- A. Find SilverbackHD Brake Wheel Kit in the first column.**
- B. Locate hardware kit in the second column.**
- C. Use pictures to identify hardware kits.**

A	B	
SilverbackHD Brake Wheel Kit Part #	SilverbackHD Brake Hardware Kit Part # (Included)	Application
WK1308E	HK1308E	4.00" x 15.00" Single Web Eaton Steer Style
WK1308Q	HK1308Q	4.00" x 15.00" Single Web Meritor Q Steer Style
WK1443E	HK1308E	4.00" x 15.00" Single Web Eaton ES Steer Style
WK4311E	HK4311E	7.00" x 16.50" Eaton Rear and Trailer Style
WK4514Q	HK4515Q-34	6.00" x 16.50" Q Standard Mount Rear
WK4514QR	HK1657QM	6.00" x 16.50" Q High Mount Steer
WK4515CP	HK4515CSP	7.00" x 16.50" Cast Rear
WK4515Q	HK4515Q-34	7.00" x 16.50" Q Rear and Trailer
WK4515XEM3	HK4515F-3	7.00" x 16.50" XEM3 Fruehauf Trailer Style
WK4524Q	HK4515Q-34	5.00" x 16.50" Q Standard Mount Rear
WK4524QR	HK1657QM	5.00" x 16.50" Q High Mount Steer
WK4551Q	HK4515Q-34	8.62" x 16.50" Q Trailer
WK4591DX	HK1225DX	7.50" x 12.25" Dexter Lowboy Style
WK4591SF	HK1225SF	7.50" x 12.25" Standard Forge Lowboy Style
WK4670Q	HK1225Q	7.50" x 12.25" Meritor Lowboy Style
WK4692Q	HK1225D-150	7.50" x 12.25" Spicer Lowboy Style
WK4702Q	HK4702Q	4.00" x 15.00" Double Web Q+ Steer
WK4703Q	HK4702Q	5.00" x 15.00" Q+ Steer
WK4704Q	HK4702Q	6.00" x 15.00" Q+ Steer or Rear
WK4705Q	HK4702Q	7.00" x 15.00" Q+ Steer or Rear
WK4707Q	HK4515Q-34	7.00" x 16.50" Q+ Rear and Trailer
WK4707QR	HK1657QM	7.00" x 16.50" Q+ High Mount Steer
WK4709ES2	HK4709E-12	7.00" x 16.50" Eaton ES2 Rear and Trailer Style
WK4709ES2F	HK4719E	7.00" x 16.50" Eaton ES2 Steer Style
WK4710Q	HK4702Q	8.62" x 15.00" Q+ Rear
WK4711Q	HK4515Q-34	8.62" x 16.50" Q+ Rear and Trailer
WK4715Q	HK1657QM	6.00" x 16.50" Q+ Steer or Rear
WK4718Q	HK4515Q-34	8.00" x 16.50" Q+ Rear
WK4719ES2	HK4719E	5.00" x 16.50" Eaton ES Steer Style
WK4720Q	HK1657QM	5.00" x 16.50" Q+ Steer
WK4725ES2	HK4719E	6.00" x 16.50" Eaton ES Steer or Rear Style
WK4726ES2	HK4709E-12	8.62" x 16.50" Eaton ES Rear and Trailer Style
WK4729ES	HK4729E	4.00" x 15.00" Double Web Eaton ES Steer Style



HK1225D-150



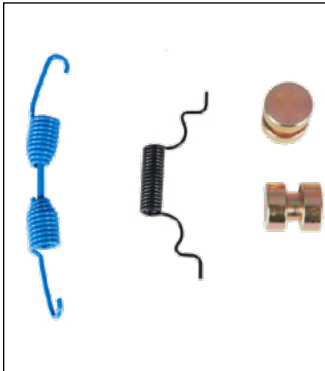
HK1225DX



HK1225SF



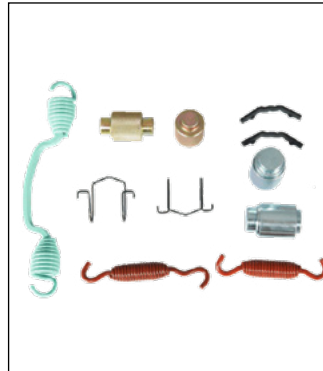
HK1225Q



HK1308E



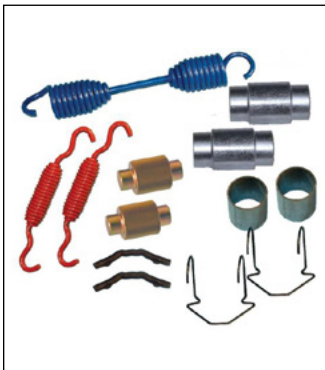
HK1308Q



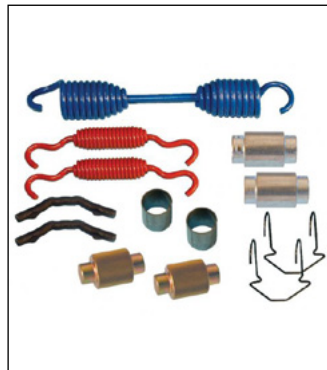
HK1657QM



HK4311E



HK4515F-3



HK4515Q-34



HK4515CSP



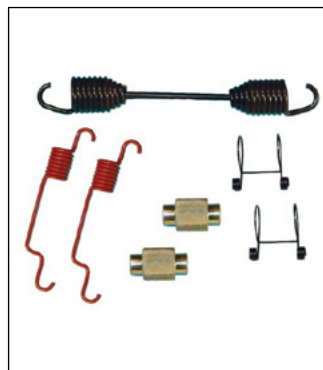
HK4702Q



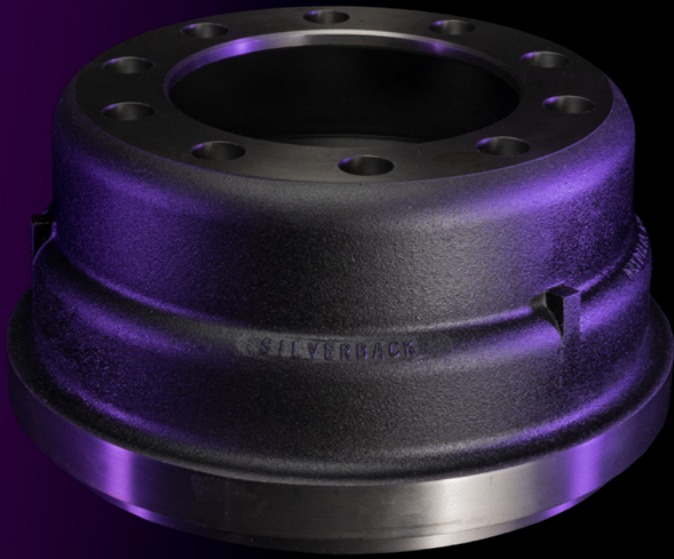
HK4709E-12



HK4719E



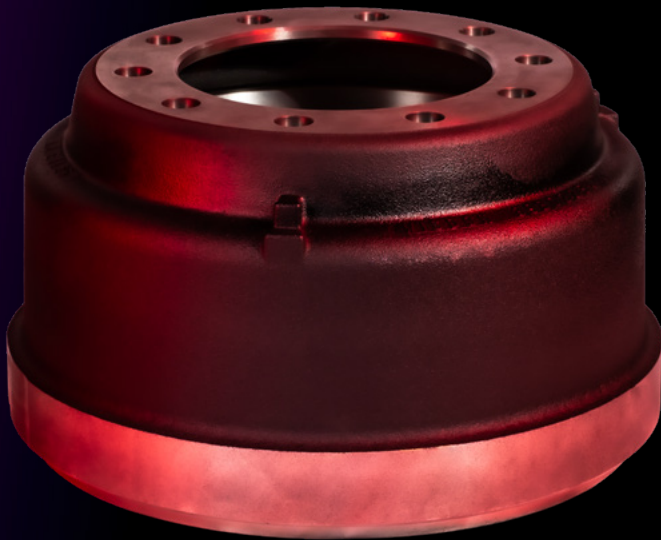
HK4729E



SILVERBACK^{HD} OUTPERFORM
OUTLAST
OUTCLASS

- ✓ High-carbon grey iron provides excellent heat dissipation for longer brake life
- ✓ Computer-balanced
- ✓ 35,000-psi tensile strength

BRAKE DRUMS

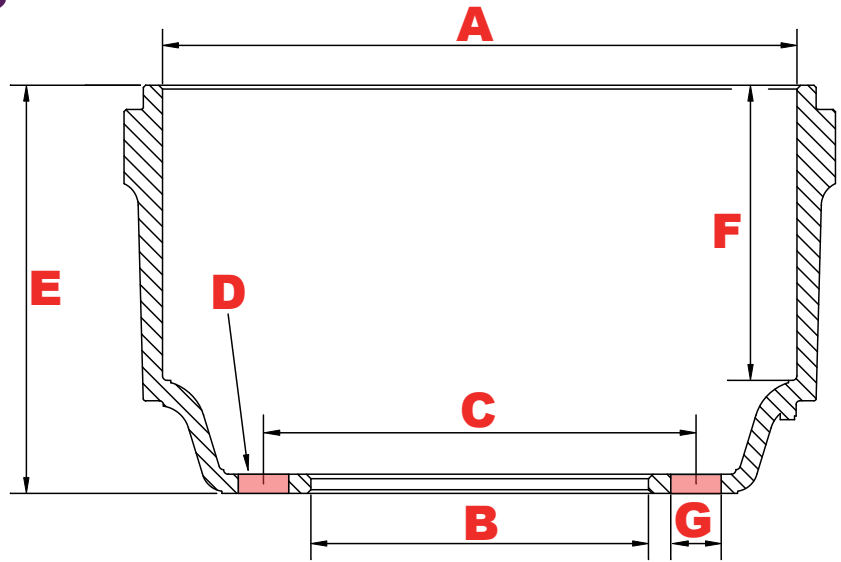


WISDOM[®]
RELIABLE · REASONABLE

- ✓ Rated 23K axle load

BRAKE DRUMS

- A.** Brake surface diameter.
- B.** Pilot diameter.
- C.** Bolt circle diameter.
- D.** Number of bolt holes.
- E.** Overall depth.
- F.** Brake surface width.
- G.** Bolt hole size.
- H.** Use chart to finalize selection.

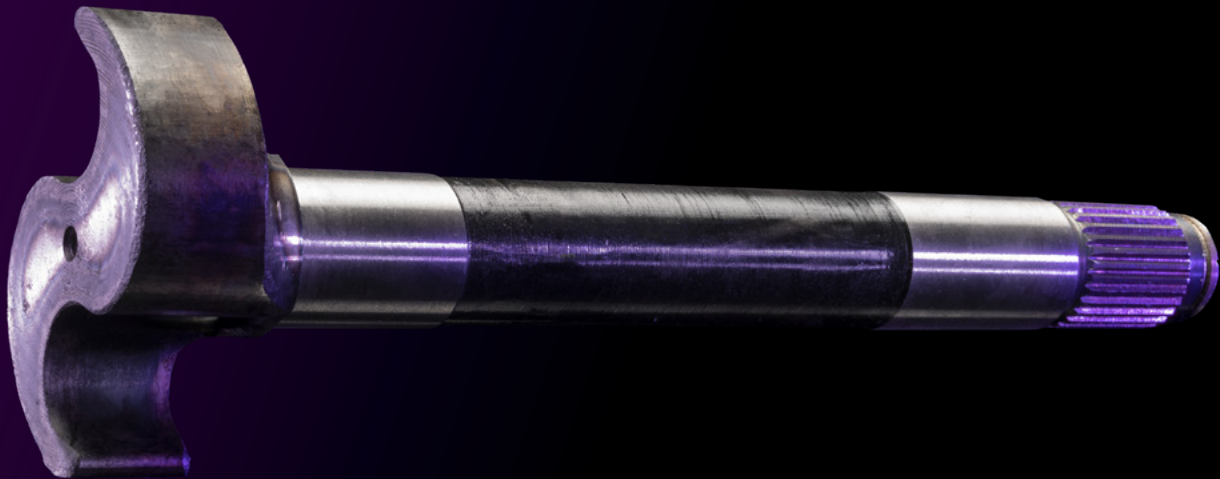


Drum Brakes

A	B	C	D	E	F	G	SilverbackHD Part #	Wisdom Part #
Brake Surface Dia.	Pilot Dia.	Bolt Circle Dia.	Number of Bolt Holes	Overall Depth	Brake Surface Width	Bolt Hole Size		
12.25" Diameter Drums								
12.25"	7.00"	8.25"	6	9.10"	8.00"	0.65"	34BD67BB	
12.25"	7.12"	8.75"	10	10.47"	8.24"	0.81"	35BD57B	
12.25"	8.50"	10.00"	6	8.88"	8.00"	0.65"	31BD74B	
12.25"	9.00"	10.82"	8	11.22"	10.00"	1.00"	38BD87B	
15.00" Diameter Drums								
15.00"	8.78"	11.25"	10	8.79"	4.78"	1.25"	37BD21AB	37BD21ABW
15.00"	8.78"	11.25"	10	9.18"	4.66"	1.25"	38BD00B	38BD00BW
15.00"	8.78"	11.25"	10	9.33"	5.42"	1.25"	37BD74B	
15.00"	8.78"	11.25"	10	10.28"	7.14"	1.00"	37BD53B	
15.00"	8.78"	11.25"	10	11.90"	9.30"	1.00"	37BD44B	
15.00"	9.00"	11.25"	10	8.91"	4.40"	1.25"	31BD58B	
15.00"	9.25"	11.25"	5/6	5.85"	4.61"	0.78"	37BD60BB	
16.50" Diameter Drums								
16.50"	8.53"	11.25"	10	10.38"	7.70"	0.81"	36BD99B	
16.50"	8.53"	11.25"	10	10.59"	7.63"	0.81"	31BD66B	31BD66BW
16.50"	8.78"	11.25"	10	9.04"	5.38"	1.25"	37BD10B	37BD10BW
16.50"	8.78"	11.25"	10	9.37"	5.43"	1.25"	37BD58B	

A	B	C	D	E	F	G	SilverbackHD Part #	Wisdom Part #
Brake Surface Dia.	Pilot Dia.	Bolt Circle Dia.	Number of Bolt Holes	Overall Depth	Brake Surface Width	Bolt Hole Size		
16.50"	8.78"	11.25"	10	9.63"	5.74"	0.93"	12BD3463B	
16.50"	8.78"	11.25"	10	9.80"	6.52"	1.25"	36BD87B	
16.50"	8.78"	11.25"	10	10.12"	7.50"	1.00"	37BD96B	
16.50"	8.78"	11.25"	10	10.30"	7.40"	1.00"	34BD02B	
16.50"	8.78"	11.25"	10	10.54"	7.60"	1.00"	35BD76B	
16.50"	8.78"	11.25"	10	10.56"	7.60"	1.00"	36BD00AB	
16.50"	8.78"	11.25"	10	10.56"	7.60"	1.00"		39BD22BW
16.50"	8.78"	11.25"	10	10.82"	7.70"	1.00"	38BD89B	
16.50"	8.78"	11.25"	10	11.06"	8.60"	1.00"	37BD82B	
16.50"	8.78"	11.25"	10	11.18"	7.44"	1.00"	37BD57B	37BD57BW
16.50"	8.78"	11.25"	10	11.39"	9.08"	1.00"	38BD07AB	38BD07ABW
16.50"	9.00"	10.82"	8	10.59"	7.75"	1.00"	31BD41BB	
16.50"	9.00"	11.25"	10	10.59"	7.75"	0.81"	31BD41B	31BD61BW
16.50"	9.44"	11.00"	5/6	8.41"	7.63"	0.65"/0.78"	29BD83CB	29BD83CBW
16.50"	9.44"	11.25"	10	9.50"	7.56"	0.85"	27BD05B	
16.50"	9.44"	11.25"	10	10.74"	7.52"	0.84"	31BD20B	
16.50"	9.50"	11.25"	10	8.74"	7.50"	0.81"	30BD18AB	30BD18ABW
16.50"	9.50"	11.25"	5/6	8.75"	7.50"	0.65"/0.81"	25BD46CB	
16.50"	10.50"	12.75"	5/6	8.74"	7.58"	0.78"	29BD97DB	
16.50"	11.00"	12.75"	6	7.93"	7.31"	0.65"	86BD56B	
16.50"	11.25"	12.75"	6	7.43"	6.40"	0.78"	30BD22BB	
16.50"	11.25"	12.75"	5/6	8.46"	7.41"	0.78"	32BD95AB	32BD95ABW

CAMSHAFTS

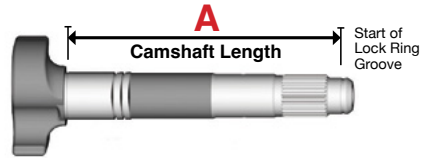


SILVERBACK[®] OUTPERFORM
OUTLAST
OUTCLASS

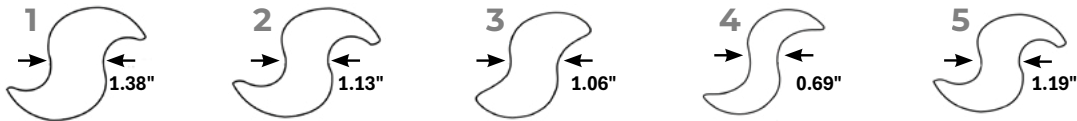
- ✓ Precision-machined heads
- ✓ Etched part number for easy identification
- ✓ Heat-treated heads, journals, and splines
- ✓ Stone-ground journals

CAMSHAFTS

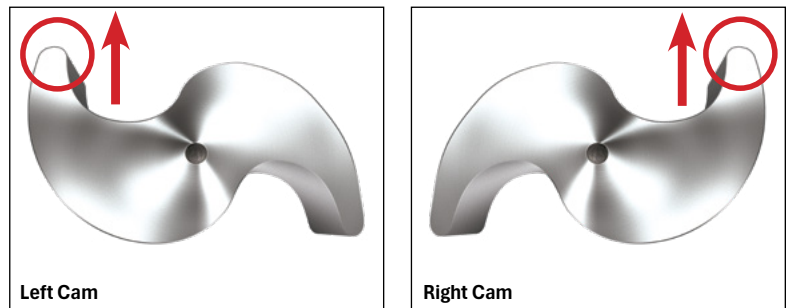
A. Measure camshaft length.
 Measure from under the camshaft head to the beginning of the lock ring groove.



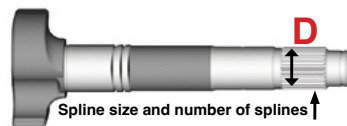
B. Determine camshaft head type.



C. Determine if camshaft is left or right.
 Put the camshaft on a table with the shaft pointing away from you and the head closest to you. If the tip of the cam that points up is on the right, the cam is right hand. If the tip of the cam that points up is on the left, the cam is left hand.



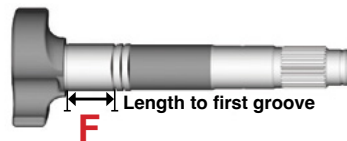
D. Determine spline size and number of splines.



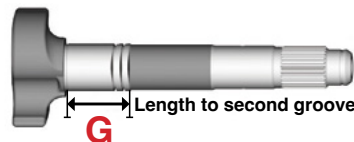
E. Determine bearing journal diameter.

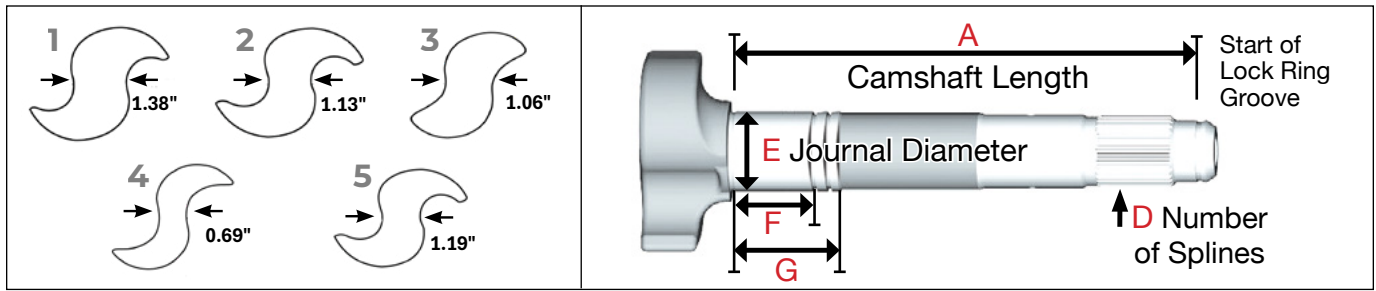


F. Measure length to first groove, if needed.



G. Measure length to second groove, if needed.

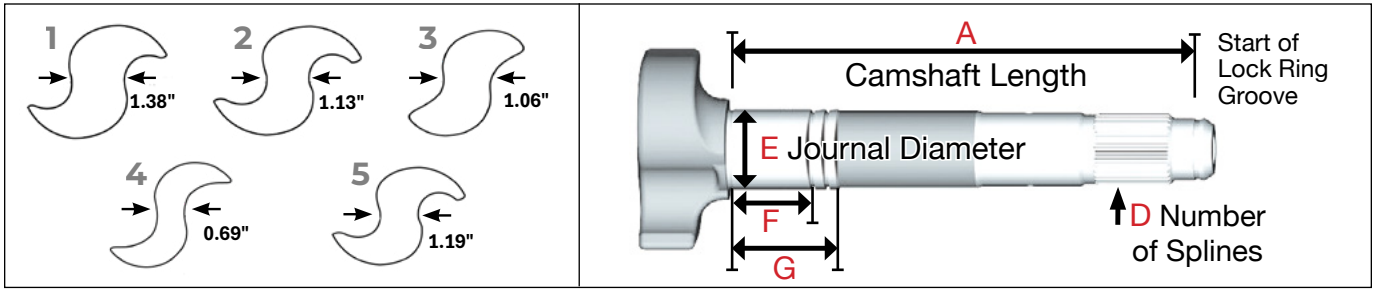




H. Use chart to select camshaft and cam repair kit part numbers.

A Camshaft Length	B Head Type	C Left or Right	D Spline Size & Quantity	E Journal Dia.	F Length to 1st Groove	G Length to 2nd Groove	SilverbackHD		Wisdom	Manufacturer & Brake Size
							Camshaft Part #	CRK Part #	CRK Part #	
7.41"	1	L	1.50"-10	1.50"	2.18"	N/A	CS4892L	CRK2287B		Meritor Style 16.50"
7.41"	1	R	1.50"-10	1.50"	2.18"	N/A	CS4893R	CRK2287B		Meritor Style 16.50"
8.56"	5	Left	1.50"-28	1.50"	N/A	N/A	CS9649L	CRK3993BB, CRK9080B		Meritor Style 16.50" Q+
8.56"	5	Right	1.50"-28	1.50"	N/A	N/A	CS9650R	CRK3993BB, CRK9080B		Meritor Style 16.50" Q+
10.94"	5	Left	1.50"-28	1.50"	N/A	N/A	CS9657L	CRK3993BB, CRK9080B		Meritor Style 16.50" Q+
10.94"	5	Right	1.50"-28	1.50"	N/A	N/A	CS9658R	CRK3993BB, CRK9080B		Meritor Style 16.50" Q+
11.03"	2	Left	1.50"-10	1.50"	2.31"	8.69"	CS11864L	CRK11897B	CRK11897BW	Hendrickson Style 16.50"
11.03"	2	Right	1.50"-10	1.50"	2.31"	8.69"	CS11865R	CRK11897B	CRK11897BW	Hendrickson Style 16.50"
11.03"	2	Left	1.50"-28	1.50"	2.31"	8.69"	CS11866L	CRK11897B	CRK11897BW	Hendrickson Style 16.50"
11.03"	2	Right	1.50"-28	1.50"	2.31"	8.69"	CS11867R	CRK11897B	CRK11897BW	Hendrickson Style 16.50"
11.13"	5	Left	1.50"-28	1.50"	N/A	N/A	CS9659L	CRK3993BB, CRK9080B		Meritor Style 16.50" Q+
11.13"	5	Right	1.50"-28	1.50"	N/A	N/A	CS9660R	CRK3993BB, CRK9080B		Meritor Style 16.50" Q+
11.25"	1	Left	1.50"-28	1.50"	N/A	N/A	CS5003L	CRK3993BB		
11.25"	1	Right	1.50"-28	1.50"	N/A	N/A	CS5004R	CRK3993BB		
11.50"	1	Left	1.50"-10	1.50"	N/A	N/A	CS1776L	CRK2125B		Eaton Style 16.50"
11.50"	1	Right	1.50"-10	1.50"	N/A	N/A	CS1775R	CRK2125B		Eaton Style 16.50"
11.56"	5	Left	1.50"-28	1.50"	N/A	N/A	CS9661L	CRK3993BB, CRK9080B		Meritor Style 16.50" Q+
11.56"	5	Right	1.50"-28	1.50"	N/A	N/A	CS9662R	CRK3993BB, CRK9080B		Meritor Style 16.50" Q+
11.69"	5	Left	1.50"-28	1.50"	N/A	N/A	CS9663L	CRK3993BB, CRK9080B		Meritor Style 16.50" Q+
11.69"	5	Right	1.50"-28	1.50"	N/A	N/A	CS9664R	CRK3993BB, CRK9080B		Meritor Style 16.50" Q+
12.94"	5	Left	1.50"-28	1.50"	N/A	N/A	CS9669L	CRK3993BB, CRK9080B		Meritor Style 16.50" Q+
12.94"	5	Right	1.50"-28	1.50"	N/A	N/A	CS9670R	CRK3993BB, CRK9080B		Meritor Style 16.50" Q+

A	B	C	D	E	F	G	SilverbackHD		Wisdom	Manufacturer & Brake Size
Camshaft Length	Head Type	Left or Right	Spline Size & Quantity	Journal Dia.	Length to 1st Groove	Length to 2nd Groove	Camshaft Part #	CRK Part #	CRK Part #	
13.22"	5	Left	1.50"-28	1.50"	N/A	N/A	CS9671L	CRK3993BB, CRK9080B		Meritor Style 16.50" Q+
13.22"	5	Right	1.50"-28	1.50"	N/A	N/A	CS9672R	CRK3993BB, CRK9080B		Meritor Style 16.50" Q+
13.44"	5	Left	1.50"-28	1.50"	N/A	N/A	CS9673AL	CRK3993BB		
13.44"	5	Right	1.50"-28	1.50"	N/A	N/A	CS9674AR	CRK3993BB		
14.59"	5	Left	1.50"-28	1.50"	N/A	N/A	CS9677L	CRK3993BB		Meritor Style 16.50" Q+
14.59"	5	Right	1.50"-28	1.50"	N/A	N/A	CS9678R	CRK3993BB		Meritor Style 16.50" Q+
15.18"	5	Left	1.50"-28	1.50"	N/A	N/A	CS9681L	CRK3993BB		Meritor Style 16.50" Q+
15.18"	5	Right	1.50"-28	1.50"	N/A	N/A	CS9682R	CRK3993BB		Meritor Style 16.50" Q+
15.72"	5	Left	1.50"-28	1.50"	N/A	N/A	CS9683L	CRK3993BB		Meritor Style 16.50" Q+
15.72"	5	Right	1.50"-28	1.50"	N/A	N/A	CS9684R	CRK3993BB		Meritor Style 16.50" Q+
16.13"	1	Left	1.62"-37	1.62"	2.16"	N/A	CS1563L	CRK2090B, CRK2122B		Fruehauf Style 16.50"
16.13"	1	Right	1.62"-37	1.62"	2.16"	N/A	CS1564R	CRK2090B, CRK2122B		Fruehauf Style 16.50"
17.31"	5	Left	1.50"-28	1.62"	1.70"	1.97"	CS5506L	CRK9078B, CRK9079B, CRK3520AB		
17.31"	5	Right	1.50"-28	1.62"	1.70"	1.97"	CS5507R	CRK9078B, CRK9079B, CRK3520AB		
17.44"	2	Left	1.50"-28	1.62"	2.25"	N/A	CS9731L	CRK11910B, CRK9790AB		Spicer Style 16.50" XL
17.44"	2	Right	1.50"-28	1.62"	2.25"	N/A	CS9732R	CRK11910B, CRK9790AB		Spicer Style 16.50" XL
20.41"	5	Left	1.50"-28	1.62"	1.70"	1.97"	CS5508L	CRK9078B, CRK9079B		Meritor Style 16.50" Q+
20.41"	5	Right	1.50"-28	1.62"	1.70"	1.97"	CS5509R	CRK9078B, CRK9079B		Meritor Style 16.50" Q+
20.44"	2	Left	1.50"-28	1.62"	2.25"	N/A	CS9733L	CRK11910B, CRK9790AB		Spicer Style 16.50" XL
20.44"	2	Right	1.50"-28	1.62"	2.25"	N/A	CS9734R	CRK11910B, CRK9790AB		Spicer Style 16.50" XL
21.13"	1	Left	1.62"-37	1.62"	2.16"	N/A	CS2099L	CRK2090B, CRK2122B		Fruehauf Style 16.50"
21.13"	1	Right	1.62"-37	1.62"	2.16"	N/A	CS2100R	CRK2090B, CRK2122B		Fruehauf Style 16.50"
23.44"	1	Left	1.50"-28	1.50"	1.63"	2.22"	CS3856L	CRK2287B		Spicer Style 16.50"
23.44"	1	Right	1.50"-28	1.50"	1.63"	2.22"	CS3857R	CRK2287B		Spicer Style 16.50"
23.50"	2	Left	1.50"-10	1.50"	1.63"	2.22"	CS5520L	CRK2287B		Spicer Style 16.50" XL
23.50"	2	Right	1.50"-10	1.50"	1.63"	2.22"	CS5521R	CRK2287B		Spicer Style 16.50" XL
23.56"	2	Left	1.50"-28	1.50"	1.63"	2.22"	CS5526L	CRK2287B		Spicer Style 16.50" XL
23.56"	2	Right	1.50"-28	1.50"	1.63"	2.22"	CS5527R	CRK2287B		Spicer Style 16.50" XL
23.56"	2	Left	1.50"-28	1.62"	2.25"	N/A	CS9735L	CRK11910B, CRK9790AB		Spicer Style 16.50" XL
23.56"	2	Right	1.50"-28	1.62"	2.25"	N/A	CS9736R	CRK11910B, CRK9790AB		Spicer Style 16.50" XL



A Camshaft Length	B Head Type	C Left or Right	D Spline Size & Quantity	E Journal Dia.	F Length to 1st Groove	G Length to 2nd Groove	SilverbackHD		Wisdom	Manufacturer & Brake Size
							Camshaft Part #	CRK Part #	CRK Part #	
23.75"	2	Left	1.50"-28	1.62"	2.22"	N/A	CS9059L	CRK2696AB		Eaton Style 16.50" ES
23.75"	2	Right	1.50"-28	1.62"	2.22"	N/A	CS9060R	CRK2696AB		Eaton Style 16.50" ES
24.06"	5	Left	1.50"-28	1.62"	1.70"	1.97"	CS5510L	CRK9078B, CRK9079B		Meritor Style 16.50" P, Q,
24.06"	5	Right	1.50"-28	1.62"	1.70"	1.97"	CS5511R	CRK9078B, CRK9079B		Meritor Style 16.50" P, Q,
24.06"	2	Left	1.50"-28	1.50"	1.63"	2.22"	CS9100L	CRK2287B		Spicer Style 16.50" XL
24.06"	2	Right	1.50"-28	1.50"	1.63"	2.22"	CS9101R	CRK2287B		Spicer Style 16.50" XL
24.13"	2	Left	1.50"-28	1.62"	2.25"	N/A	CS10909L	CRK11910B, CRK9790AB		Spicer Style 16.50" XL
24.13"	2	Right	1.50"-28	1.62"	2.25"	N/A	CS10910R	CRK11910B, CRK9790AB		Spicer Style 16.50" XL
26.25"	2	Left	1.50"-28	1.62"	2.25"	N/A	CS11860L	CRK11910B, CRK9790AB		Spicer Style 16.50" XL
26.25"	2	Right	1.50"-28	1.62"	2.25"	N/A	CS11861R	CRK11910B, CRK9790AB		Spicer Style 16.50" XL
26.50"	1	L	1.50"-10	1.50"	2.18"	N/A	CS7219L	CRK2287B		Spicer Style 16.50"
26.50"	1	R	1.50"-10	1.50"	2.18"	N/A	CS7220R	CRK2287B		Spicer Style 16.50"



OUTPERFORM
OUTLAST
OUTCLASS

- ✓ Made to the tightest tolerances
- ✓ Severe-duty, extended-life cam tube
- ✓ Durable, long-life design



CAMSHAFT REPAIR KITS

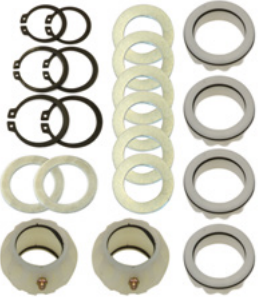



- ✓ Competitive cam tube kit


CAMSHAFT REPAIR KITS

- A. Identify the camshaft.**
- B. Identify the Camshaft Repair Kit (CRK) options.**
- C. Use the CRK picture to confirm the CRK required.**


A		B	
SilverbackHD Left Camshaft Part #	SilverbackHD Right Camshaft Part #	SilverbackHD CRK Part #	Wisdom CRK Part #
CS1563L	CS1564R	CRK2090B, CRK2122B	
CS1776L	CS1775R	CRK10897B	
CS2099L	CS2100R	CRK2090B, CRK2122B	
CS3856L	CS3857R	CRK2287B	
CS5003L	CS5004R	CRK3993BB	
CS5506L	CS5507R	CRK9078B, CRK9079B, CRK3520B	
CS5508L	CS5509R	CRK9078B, CRK9079B	
CS5510L	CS5511R	CRK9078B, CRK9079B	
CS5520L	CS5521R	CRK2287B	
CS5526L	CS5527R	CRK2287B	
CS7219L	CS7220R	CRK2287B	
CS9059L	CS9060R	CRK2696AB	
CS9100L	CS9101R	CRK2287B	
CS9649L	CS9650R	CRK3993BB	
CS9657L	CS9658R	CRK3993BB	
CS9659L	CS9660R	CRK3993BB	
CS9661L	CS9662R	CRK3993BB	
CS9663L	CS9664R	CRK3993BB	
CS9669L	CS9670R	CRK3993BB	
CS9671L	CS9672R	CRK3993BB	
CS9673AL	CS9674AR	CRK3993BB	
CS9677L	CS9678R	CRK3993BB	
CS9681L	CS9682R	CRK3993BB	
CS9683L	CS9684R	CRK3993BB	
CS9731L	CS9732R	CRK11910B, CRK9790AB	
CS9733L	CS9734R	CRK11910B, CRK9790AB	
CS9735L	CS9736R	CRK11910B, CRK9790AB	
CS10909L	CS10910R	CRK11910B, CRK9790AB	
CS11860L	CS11861R	CRK11910B, CRK9790AB	
CS11864L	CS11865R	CRK11897B	CRK11897BW
CS11866L	CS11867R	CRK11897B	CRK11897BW


CRK2090B**			
Brake Size	12.25" and 16.50"	Brake App.	Fruehauf Style
Info.	16.50" and 12.25" Fruehauf late model Pro-Par axles		
			

CRK2125B**			
Brake Size	15.00" and 16.50"	Brake App.	Eaton Style
Info.	15.00" and 16.50" brakes		
			


CRK2287B**			
Brake Size	16.50"	Brake App.	Spicer and Standard Forge Styles
Info.	16.50" late models with weld on spiders		
			


CRK2469B**			
Brake Size	12.25"	Brake App.	Spicer and Standard Forge Styles
Info.	12.25" late model axles		
			


CRK2696AB			
Brake Size	16.50"	Brake App.	Eaton Style
Info.	16.50" late model trailer		
			

CRK3520AB**			
Brake Size	16.50"	Brake App.	Meritor Style
Info.	16.50" 4000-6000 series trailer late model		
			


CRK3993BB**			
Brake Size	15.00" and 16.50"	Brake App.	Meritor Style
Info.	15.00" and 16.50" Q and Q+ drive axles		
			


CRK5501B**			
Brake Size	15.00" and 16.50"	Brake App.	Eaton Style
Info.	15.00" reduced envelope and drive axle 16.50" extended service brakes		
			

CRK9078B*			
Brake Size	16.50"	Brake App.	Meritor Style
Info.	16.50" Q and Q+ trailer brakes press in spider bushing		
			

CRK9079B*			
Brake Size	16.50"	Brake App.	Meritor Style
Info.	16.50" Q and Q+ trailer brakes bolt on spider bushing		
			

CRK9790AB*			
Brake Size	12.25" and 16.50"	Brake App.	Spicer Style
Info.	12.25" and 16.50" brakes with 1.63" journal		
			

CRK10897B*			
Brake Size	15.00" and 16.50"	Brake App.	Eaton Style
Info.	15.00" reduced envelope and drive axle 16.50" extended service brakes		
			

CRK11450B*			
Brake Size	16.50"	Brake App.	Hendrickson Intraax Style
Info.	16.50" brakes 2.00" seal/bushing OD		
			

CRK11897B**, CRK11897BW*			
Brake Size	16.50"	Brake App.	Hendrickson Intraax Style
Info.	16.50" brakes 1.50" journal		
			

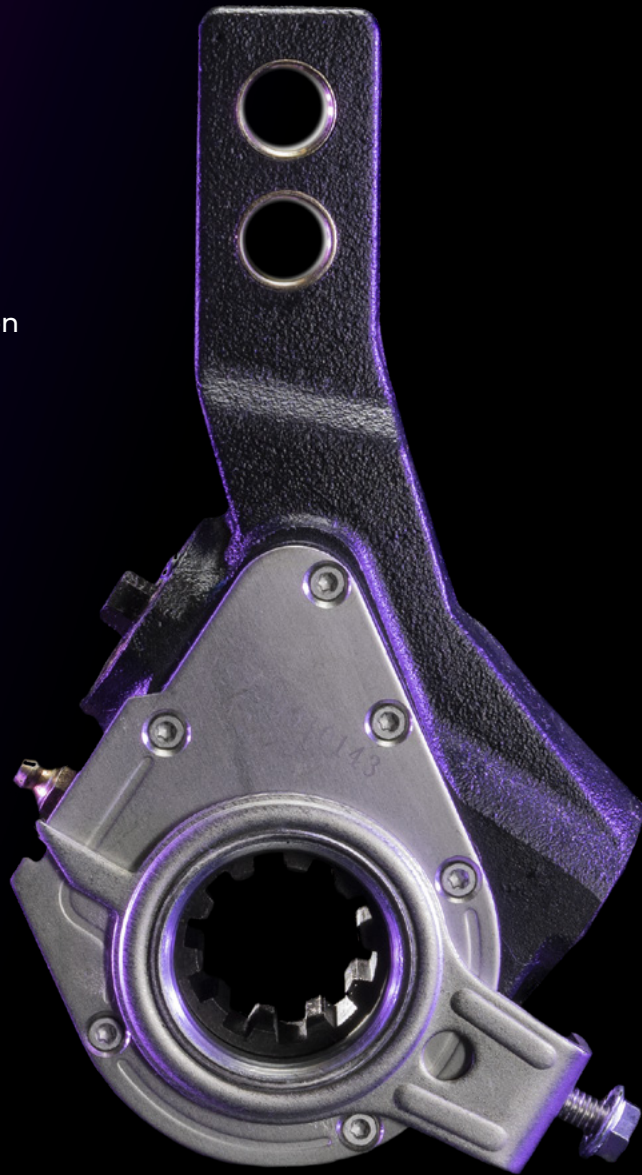
CRK11910B*			
Brake Size	12.25" and 16.50"	Brake App.	Spicer Style
Info.	12.25" and 16.50" brakes with 1.63" journal		
			

* Bronze Bushings, ** Brass Bushings

SLACK ADJUSTERS

SILVERBACK®
OUTPERFORM
OUTLAST
OUTCLASS

- ✓ Premium OE quality
- ✓ Wide range of applications
- ✓ Exact like-for-like form, fit, and function
- ✓ Tight tolerances for durability



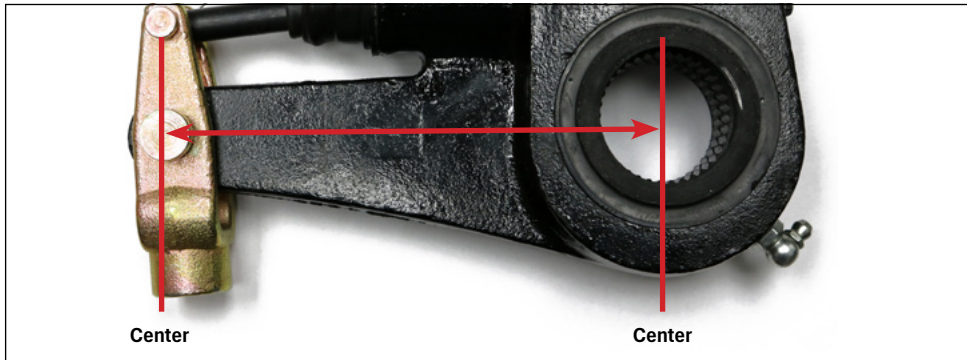
SLACK ADJUSTERS

A. Find the correct auto slack style.

<p>B Style</p> 	 <p>Offset link arm</p>	<p>0.56" adjuster nut</p> 	<p>1.00" collar lock nut</p> 
<p>G Style</p> 	 <p>Offset link arm</p>	<p>0.44" adjuster nut</p> 	<p>1.25" collar lock nut</p> 
<p>H Style & H Self-Setting Style (S-ABA)</p> 	 <p>No link arm</p>	<p>0.44" adjuster nut</p> 	 <p>Large indicator plate</p> 
<p>H Style: Hardware Styles</p>  <p>Plate and flat stud</p>	 <p>Clamp</p>	 <p>Strap</p>	



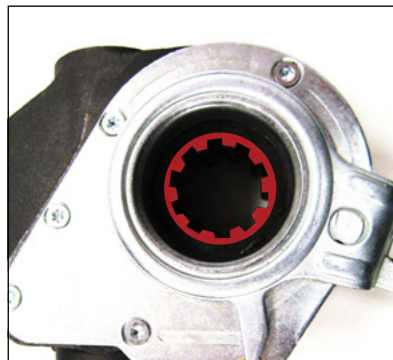
B. Measure arm length.



C. Measure spline size.



D. Count splines.



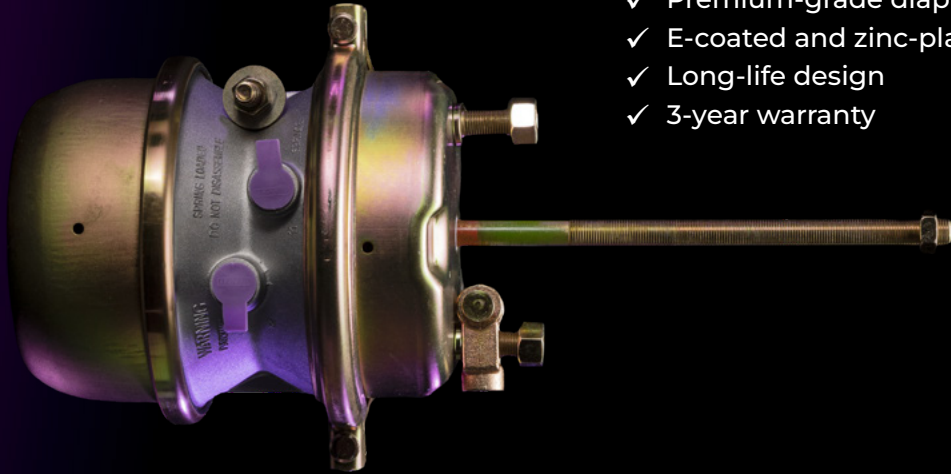
E. Use chart to find the correct slack adjuster.

A	B	C	D	H Style: Hardware Style M Style: Pawl Location	Application	Replaces	SilverbackHD Part #
Style	Arm(s) Length	Spline Size	Spline Count				
B	5.50"	1.50"	10		Drive or Trailer	065700, 065170	ASB65700
B	5.50"	1.50"	28		Drive or Trailer	065247, 065174	ASB65247
B	6.00"	1.50"	10		Drive or Trailer	065344, 065172	ASB65344
B	6.00"	1.50"	28		Drive or Trailer	065175, 065176	ASB65175
G	5.50"	1.25"	10		Steer Axle (Steer)	AS1136	ASG1136
G	5.50"	1.25"	24		Steer Axle (Steer)	AS1138	ASG1138
G	5.50"	1.50"	10		Drive Axle and Steer Axle	AS1132	ASG1132
G	5.50"	1.50"	28		Drive Axle and Steer Axle	AS1140	ASG1140
G	6.00"	1.50"	10		Drive Axle (Rear)	AS1133	ASG1133
G	6.00"	1.50"	10		Trailer Axle	AS1147	ASG1147
G	6.00"	1.50"	28		Drive Axle (Rear)	AS1141	ASG1141
G	6.00"	1.50"	28		Trailer Axle	AS1150	ASG1150
G	6.00"	1.63"	37		Trailer Fruehauf Style	AS1144	ASG1144
G	6.50"	1.50"	28		Drive Axle (Rear)	AS1142	ASG1142
H	5.00", 6.00"	1.50"	10	Strap	Drive Axle (Drive Mack Style)	40010142	ASH40010142
H	5.00", 6.00"	1.50"	28	Strap	Drive Axle (Drive)	40010140	ASH40010140
H	5.00", 6.00"	1.50"	28	Strap	Drive Axle (Drive), S-ABA	40020234	ASH40020234
H	5.50"	1.25"	10	Clamp	Steer Axle (Std)	40010001	ASH40010001
H	5.50"	1.25"	10	Strap	Steer Axle (Non-Std)	40010013	ASH40010013
H	5.50"	1.50"	10	Strap	Drive Axle (Drive)	40010143	ASH40010143
H	5.50"	1.50"	10	Strap	Drive Axle (Drive), S-ABA	40020228	ASH40020228
H	5.50"	1.50"	10	Strap	Drive Axle (Drive K/W 8 Bag)	40010155	ASH40010155
H	5.50"	1.50"	10	Plate and Flat Stud	Trailer 16.50"	40010215	ASH40010215
H	5.50"	1.50"	28	Clamp	Tractor/Trailer	40010086	ASH40010086
H	5.50"	1.50"	28	Strap	Steer Axle (Std)	40010070	ASH40010070
H	5.50"	1.50"	28	Strap	Steer Axle (Std), S-ABA	40020241	ASH40020241
H	5.50"	1.50"	28	Strap	Drive Axle (Drive Mack Style)	40010141	ASH40010141
H	5.50"	1.50"	28	Strap	Drive Axle (Drive Mack Style), S-ABA	40010141	ASH40020231
H	5.50"	1.50"	28	Strap	Drive Axle (Drive K/W 8 Bag)	40010156	ASH40010156
H	5.50"	1.50"	28	Plate and Flat Stud	Trailer 16.50"	40010211	ASH40010211
H	5.50"	1.50"	28	Plate and Flat Stud	Trailer 16.50", S-ABA	40020211	ASH40020211
H	5.50"	1.63"	37	Plate and Flat Stud	Trailer 16.50"	40010145	ASH40010213
H	6.00"	1.50"	10	Clamp	Drive Axle (Drive Mack Style)	40010145	ASH40010145

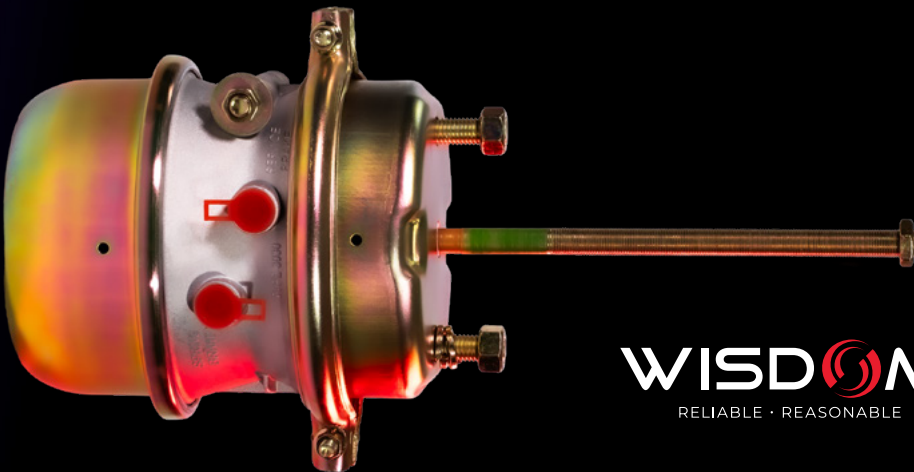
A	B	C	D	H Style: Hardware Style M Style: Pawl Location	Application	Replaces	SilverbackHD Part #
Style	Arm(s) Length	Spline Size	Spline Count				
H	6.00"	1.50"	10	Plate and Flat Stud	Trailer 16.50"	40010216	ASH40010216
H	6.00"	1.50"	10	Plate and Flat Stud	Trailer 12.25"	40010306	ASH40010306
H	6.00"	1.50"	28	Clamp	Drive Axle (Drive Mack Style)	40010144	ASH40010144
H	6.00"	1.50"	28	Plate and Flat Stud	Trailer 16.50"	40010212	ASH40010212
H	6.00"	1.50"	28	Plate and Flat Stud	Trailer 16.50", S-ABA	40020212	ASH40020212
H	6.00"	1.50"	28	Plate and Flat Stud	Trailer 12.25"	40010305	ASH40010305
H	6.00"	1.63"	37	Plate and Flat Stud	Trailer 16.50"	40010214	ASH40010214
M	5.50"	1.50"	10	Unhanded or 3	Steer/Drive/Trailer Axle	R801041	ASM801041
M	5.50"	1.50"	28	Unhanded or 3	Steer/Drive/Trailer Axle	R801073	ASM801073
M	5.50"	1.50"	28	Unhanded or 3	Steer	R801079	ASM801079
M	5.50"	1.50"	28	Handed Type A or 1	Steer/Drive/Trailer Axle	R802446	ASM802446
M	5.50"	1.50"	28	Handed Type B or 2	Steer/Drive/Trailer Axle	R802447	ASM802447
M	6.00"	1.50"	10	Unhanded or 3	Steer/Drive/Trailer Axle	R801042	ASM801042
M	6.00"	1.50"	28	Unhanded or 3	Drive/Trailer Axle	R801074	ASM801074
M	6.00"	1.50"	28	Handed Type A or 1	Drive/Trailer Axle	R802486	ASM802486
M	6.00"	1.50"	28	Handed Type B or 2	Steer/Drive/Trailer Axle	R802487	ASM802487
M	6.00"	1.63"	37	Unhanded or 3	Trailer Fruehauf Style	R801102	ASM801102

SILVERBACK®
OUTPERFORM
OUTLAST
OUTCLASS

- ✓ Exceeds 1 million test cycles
- ✓ Premium-grade diaphragms
- ✓ E-coated and zinc-plated
- ✓ Long-life design
- ✓ 3-year warranty



AIR DRUM CHAMBERS

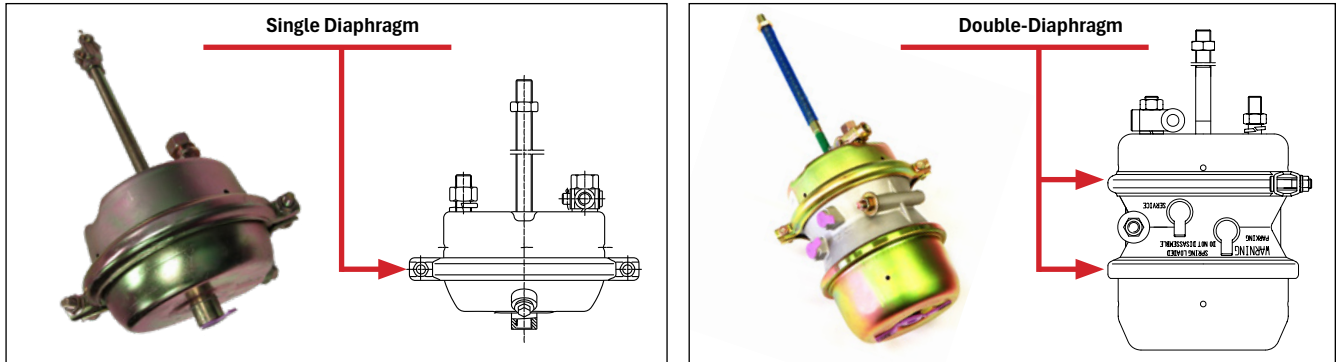


WISDOM®
RELIABLE · REASONABLE

- ✓ E-coated and zinc-plated
- ✓ 1-year warranty

AIR DRUM CHAMBERS

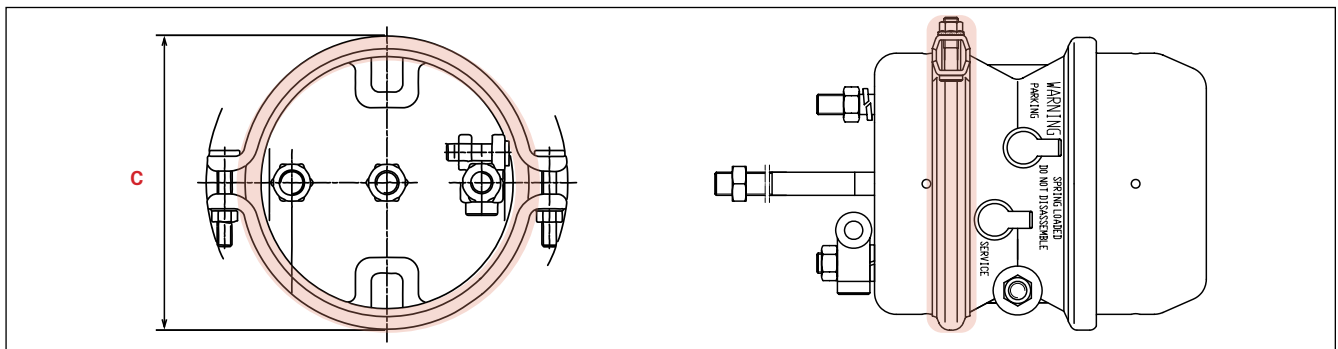
A. Count diaphragms.



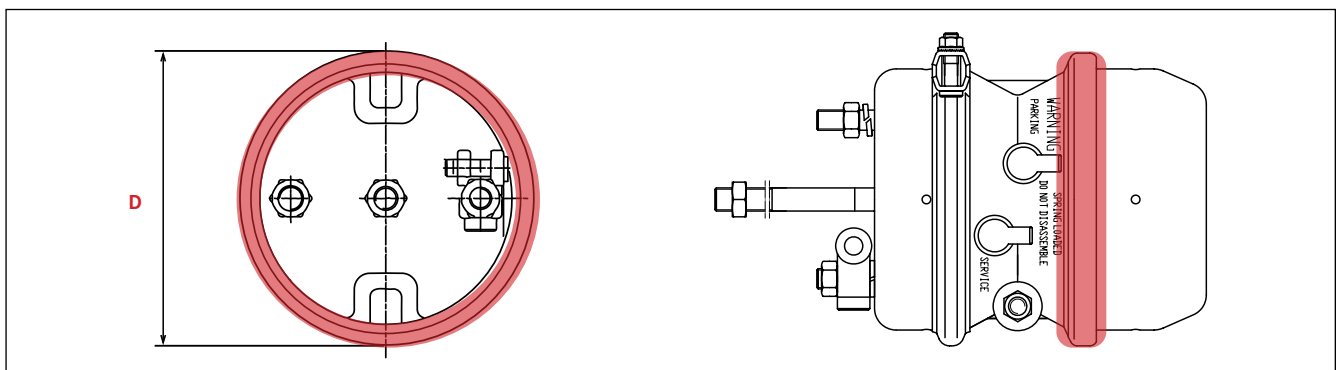
B. Identify the pushrod style.



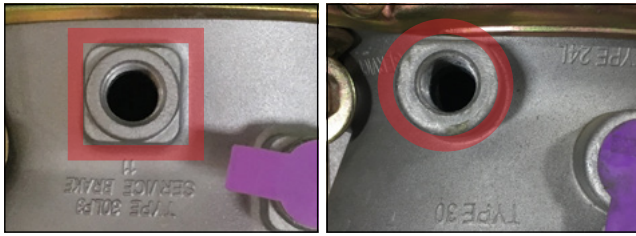
C. Measure the outside to outside diameter of the clamps closest to the mounting studs, but never in the clamp bolt area.



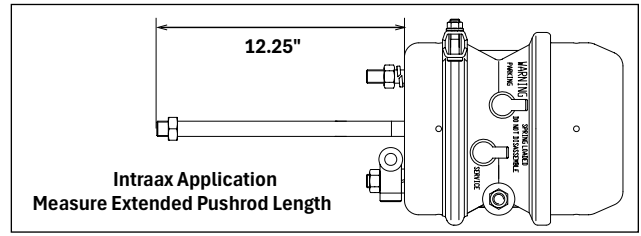
D. Measure the outside to outside diameter of the clamps farthest from the mounting studs, but never in the clamp bolt area.



E. Identify air port hole shape.



F. Refer to the notes for more details.








G. Use chart to find the correct drum brake chamber.

A	B	C	D	E	F	SilverbackHD Part #	Wisdom Part #
Diaphragm: Single or Double	Pushrod Type	Clamp(s) OD: Closet to Mounting Studs	Clamp(s) OD: Farthest to Mounting Studs	Ports Shape	Notes		
Double	No Pushrod	8.25"	8.25"	Round	Piggyback Kit	3030PBK	3030PBKW
Double	No Pushrod	8.25"	8.25"	Square	Piggyback Kit	3030PBKLS	3030PBKLSW
Double	Threaded	7.25"	7.25"	Round	Standard Drum Brake Complete	2424SB	
Double	Threaded	7.25"	8.25"	Round	Standard Drum Brake Complete	2430SB	
Double	Threaded	8.25"	8.25"	Round	Standard Drum Brake Complete, 10.5" Pushrod Fully Extended	3030SB	3030SBW
Double	Threaded	8.25"	8.25"	Round	Standard Drum Brake Complete Intraax Style 12.25" Pushrod	3030SB-INT	
Double	Threaded	8.25"	8.25"	Square	Long Stroke Springbrake Complete, 10.5" Pushrod Fully Extended	3030SBLS	3030SBLSW
Double	Welded Clevis	8.25"	8.25"	Square	Long Stroke Welded Springbrake Complete, 2.25"*	3030SBLWC225	
Double	Welded Clevis	8.25"	8.25"	Square	Long Stroke Welded Springbrake Complete, 2.87"*	3030SBLWC287	
Double	Threaded	8.25"	8.25"	Square	Long Stroke Springbrake Complete Intraax Style 12.25" Pushrod	3030SBLS-INT	
Single	Threaded	5.25"	N/A	Round	Service Chamber	09SC	
Single	Threaded	5.75"	N/A	Round	Service Chamber	12SC	
Single	Threaded	6.25"	N/A	Round	Service Chamber	16SC	
Single	Threaded	6.75"	N/A	Round	Service Chamber	20SC	
Single	Threaded	7.25"	N/A	Round	Service Chamber	24SC	
Single	Threaded	8.25"	N/A	Round	Service Chamber	30SC	
Single	Welded Clevis	8.25"	N/A	Square	Welded Service Chamber, 2.25"*	30LS225WC	

* Distance from clevis pin center to service housing face.

Air Drum Chamber Miscellaneous Parts

Description	SilverbackHD Part #	Image
Type 30 Clamp	30CLW	
Clevis Assembly 5/8" Rod x 1/2" Pin	5850CV	
Clevis Pin 1/2" x 1-3/4" Long	50CP	
Type 30 Diaphragm	30D	
Release Bolt Assembly	3030RB	

HYDRAULIC DISC CALIPERS



SILVERBACK

OUTPERFORM
OUTLAST
OUTCLASS

- ✓ New – no cores!
- ✓ High-grade D5506 ductile iron
- ✓ Single-unit, dual-purpose designs fit both sides
- ✓ Heat- and corrosion-resistant pistons and seals

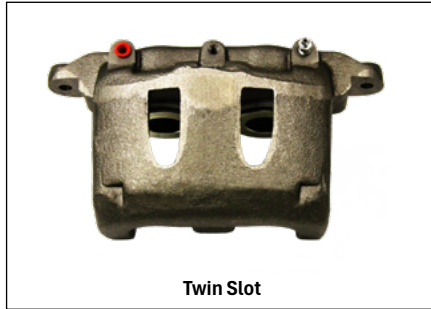
HYDRAULIC DISC CALIPERS

A. Identify the style.

- Single Slot: Bendix style
- Twin Slot: Bosch or TRW styles
- Large Cavity: Dayton or Meritor styles



Single Slot



Twin Slot



Large Cavity

B. Count the pistons.

- Two: Bendix, Bosch, Dayton, or TRW styles
- Four: Meritor style

C. Measure the piston diameter.

- Standard (2.50", 2.60", 2.88"): Bendix or Dayton styles
- Metric (60, 66, 70, 73mm): Bosch, Meritor, or TRW styles



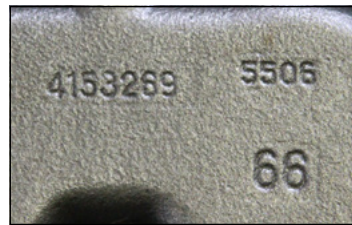
Piston Diameter Measurement

D. Count the TOTAL mounting holes.

- None: Bendix or Dayton styles
- Two: Bosch or TRW styles
- Four or Six: Meritor style

E. Determine right or left.

Note: Some calipers will have an OE casting number.



Casting Number

Note: Components included with noted calipers (see table)



Hardware Kit HK11HH754 (55CL849 & 55CL850)



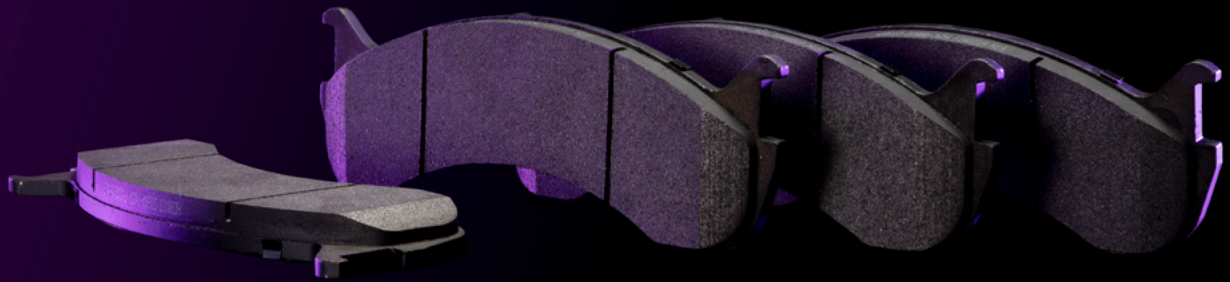
HK71HH18-19CP Crossover Tube



HK71HH18-19BS Bleeder screws

A Style (Top Opening)	B Piston Count	C Piston Dia.	D Mounting Holes	E Side	Casting #	Mfr. Style	SilverbackHD Part #s		
							Disc Pad (SD: Severe Duty)	Caliper	
Single Slot	Two	2.60"	None	Right/ Left	4151733	Bendix Style	D184-7806CE	55CL314	
Single Slot	Two	2.88"	None	Right/ Left	4150344, 4150844	Bendix Style	D225-7808CE, D225-7808SD	55CL250	
Twin Slot	Two	60.0mm	2 (1 each side)	Right	130307, 142298	TRW Style	D1066-7972CE, D1066-7972SD	14CL7076	
Twin Slot	Two	60.0mm	2 (1 each side)	Left	130307, 142298	TRW Style	D1066-7972CE, D1066-7972SD	14CL7077	
Twin Slot	Two	66.0mm	2 (1 each side)	Right/ Left	4153269	Bosch Style	D786A-7654CE-THIN, D786A-7654SD-THIN	55CL849	Hardware Kit HK11HH754
Twin Slot	Two	73.0mm	2 (1 each side)	Right/ Left	4153222	Bosch Style	D786-7655CE-THICK, D786-7655SD-THICK	55CL850	Hardware Kit HK11HH754
Large Cavity	Two	2.50"	None	Right/ Left	22602	Dayton Style	D224-7807CE	55CL251	
Large Cavity	Two	2.88"	None	Right/ Left	0456, 0578	Dayton Style	D236-7809CE	55CL252	
Large Cavity	Four	64.0mm	4 (2 each side)	Right/ Left	595-597, 581-583	Meritor Style	D769-7636CE, D769-7636SD	14CL684014-5	Includes components: HK71HH18-19CP, HK71HH18-19BS
Large Cavity	Four	70.0mm	4 (2 each side)	Right/ Left	595-597, 581-583	Meritor Style	D769-7636CE, D769-7636SD	14CL684012-3	Includes components: HK71HH18-19CP, HK71HH18-19BS
Large Cavity	Four	70.0mm	6 (3 each side)	Right/ Left	595-597, 9187, 9188	Meritor Style	D769-7636CE, D769-7636SD	13CL706-7	Includes components: HK71HH18-19CP, HK71HH18-19BS

HYDRAULIC DISC PADS



SILVERBACK[®] OUTPERFORM
OUTLAST
OUTCLASS

- ✓ Ceramic-enhanced friction runs cooler and lasts longer
- ✓ High-torque design for safe, quiet stops
- ✓ Severe duty also available

HYDRAULIC DISC PADS

- A. Identify the style of the pads.**
- B. Measure pad overall length.**
- C. Measure pad overall height.**
- D. Check identifiers.**

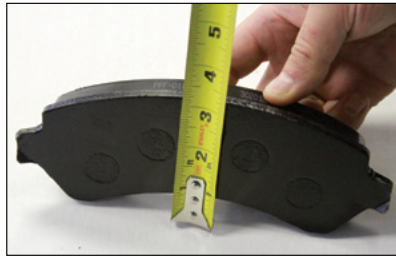
NOTE:

When measuring length and height:

- **INCLUDE** the shim
- **DO NOT INCLUDE** squealer tab



Overall Length

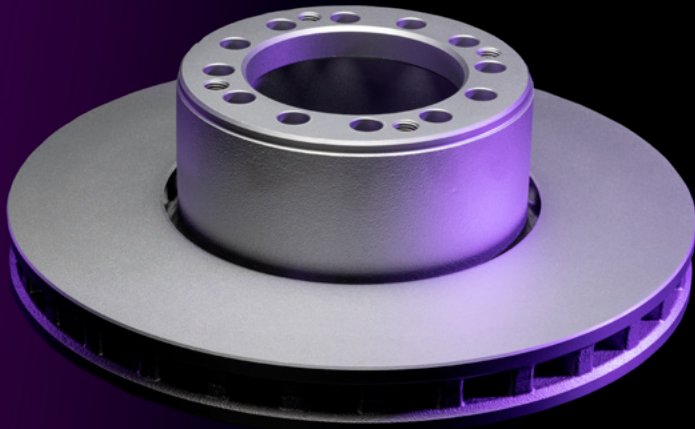


Overall Height



Hydraulic Disc Brakes

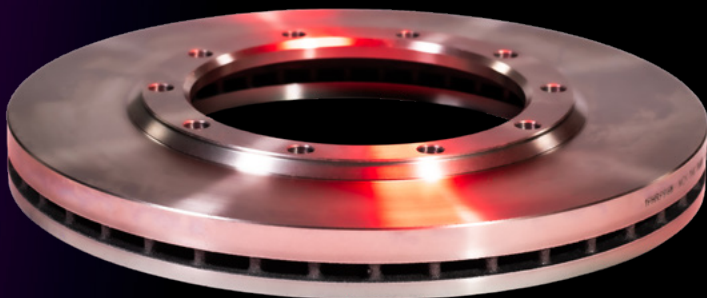
A	B	C	D	SilverbackHD Part #s	
Style Pads	Overall Length	Overall Height	Identifiers	Caliper	Pad Set (SD: Severe Duty)
Hook Tab	269.5mm (10.61") Hook pad 205.0mm (8.07") Tab pad	100.0mm (3.93") 80.0mm (3.15")		55CL250	D225-7808CE, D225-7808SD
Large house	240.0mm (9.45")	88.6mm (3.49")	Replaces D1032 and D1418	13CL706-7, 14CL684012-3, 14CL684014-5	D769-7636CE, D769-7636SD
Mold Tab	254.0mm (10.03") Mold pad 205.0mm (8.07") Tab pad	97.5mm (3.83") 80.0mm (3.15")		55CL314	D184-7806CE
Small house	213.4mm (8.40")	101.5mm (3.96")		55CL251	D224-7807CE
Small house	228.6mm (9.00")	102.6mm (4.04")		55CL252	D236-7809CE
Wing	222.0mm (8.74")	64.5mm (2.54")		14CL7076, 14CL7077	D1066-7972CE, D1066-7972SD
Wing	244.1mm (9.61")	85.1mm (3.35")	Fits 73.0mm caliper plate/ friction 26.8mm (1.05")	55CL850	D786-7655CE-THICK, D786-7655SD-THICK
Wing	244.1mm (9.61")	85.1mm (3.35")	Fits 66.0mm caliper plate/ friction 20.3mm (0.80")	55CL849	D786A-7654CE-THIN, D786A-7654SD-THIN



OUTPERFORM
OUTLAST
OUTCLASS

- ✓ High-carbon grey iron provides excellent heat dissipation for longer brake life
- ✓ Precision mill-balanced
- ✓ Patented GEOMET® corrosion protection
- ✓ Complete hardware set included, where applicable

HYDRAULIC DISC ROTORS

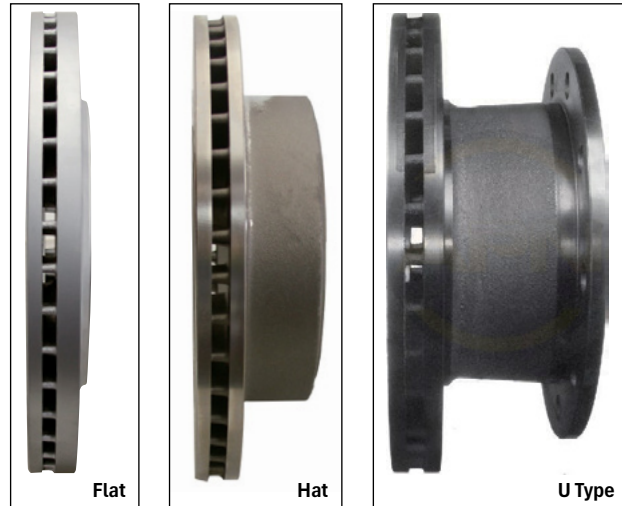


- ✓ Precision mill-balanced

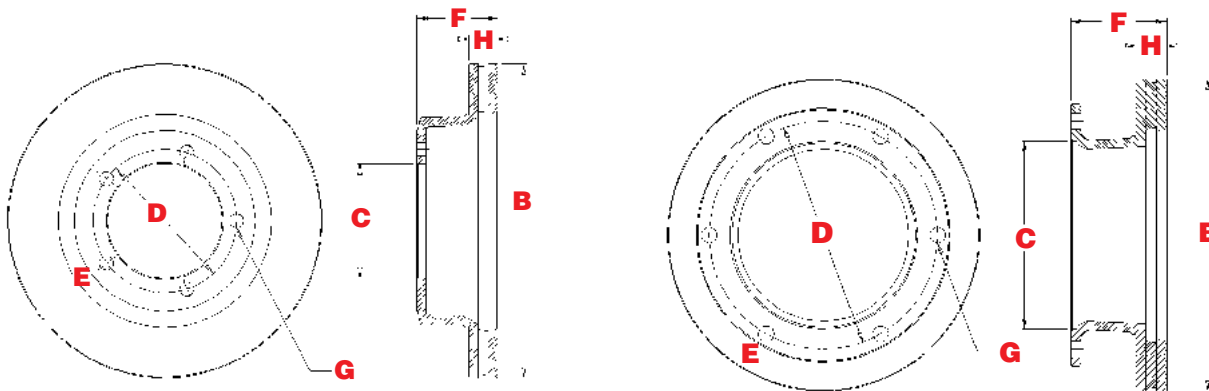
HYDRAULIC DISC ROTORS

- A. Identify the style: Flat, Hat or U Type.**
- B. Measure overall diameter.**
- C. Measure pilot diameter.**
- D. Measure bolt circle diameter from center of bolt holes.**
- E. Count bolt holes.**
- F. Measure overall depth.**
- G. Measure bolt hole size.**
- G. Measure thickness or see minimum thickness stamped or cast on rotor.**

Lastly, note whether it has any features such as ABS rings or ABS ring drill holes.



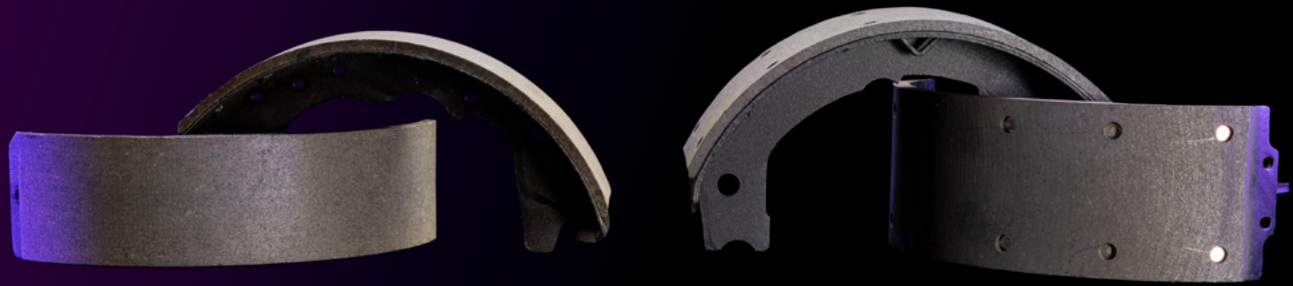
Hydraulic Disc Brakes



A	B	C	D	E	F	G	H	Special Info.	SilverbackHD Part #	Wisdom Part #
Style	Overall Dia.	Pilot Dia.	Bolt Circle	Bolt Hole Qty.	Overall Depth	Bolt Hole Size	Disc Thickness			
Flat	389.9mm (15.35")	187.5mm (7.38")	219.7mm (8.65")	10	48.5mm (1.91")	13.5mm (0.53")	39.1mm (1.54")	Hardware included	19HR996G	19HR996W
Hat	374.4mm (14.74")	137.2mm (5.40")	171.5mm (6.75")	5	96.5mm (3.80")	16.5mm (0.65")	34.0mm (1.34")		54HR102G	
Hat	374.4mm (14.74")	137.2mm (5.40")	171.5mm (6.75")	6	96.5mm (3.80")	16.5mm (0.65")	34.0mm (1.34")		54HR104G	
Hat	374.4mm (14.74")	137.2mm (5.40")	183.6mm (7.23")	6	96.5mm (3.80")	19.8mm (0.78")	34.0mm (1.34")	Holes drilled for ABS	54HR105G	
Hat	381.0mm (15.00")	137.2mm (5.40")	171.5mm (6.75")	5	88.9mm (3.50")	19.8mm (0.78")	36.6mm (1.44")	ABS ready	54HR769G	54HR769W
Hat	381.0mm (15.00")	137.2mm (5.40")	171.5mm (6.75")	6	88.9mm (3.50")	19.8mm (0.78")	36.6mm (1.44")	ABS ready	54HR770G	

A	B	C	D	E	F	G	H	Special Info.	SilverbackHD Part #	Wisdom Part #
Style	Overall Dia.	Pilot Dia.	Bolt Circle	Bolt Hole Qty.	Overall Depth	Bolt Hole Size	Disc Thickness			
Hat	381.0mm (15.00")	152.4mm (6.00")	184.1mm (7.25")	10	81.3mm (3.20")	14.7mm (0.58")	36.6mm (1.44")	ABS ready	54HR773G	54HR773W
Hat	381.0mm (15.00")	152.4mm (6.00")	184.1mm (7.25")	10	112.8mm (4.44")	14.7mm (0.58")	36.6mm (1.44")	ABS ready	54HR771G	54HR771W
Hat	389.9mm (15.35")	139.5mm (5.49")	163.3mm (6.43")	10	124.0mm (4.88")	13.0mm (0.51")	39.1mm (1.54")		14HR1394G	
Hat	390.7mm (15.38")	152.4mm (6.00")	184.2mm (7.25")	10	86.4mm (3.40")	14.7mm (0.58")	39.1mm (1.54")		54HR301G	
Hat	390.7mm (15.38")	152.4mm (6.00")	184.2mm (7.25")	10	86.4mm (3.40")	14.7mm (0.58")	39.1mm (1.54")	ABS ready	54HR775G	54HR775W
U Type	381.0mm (15.00")	241.3mm (9.50")	285.8mm (11.25")	10	180.6mm (7.11")	26.9mm (1.06")	36.6mm (1.44")	ABS ready	61HR78AMG	61HR78AMW
U Type	381.0mm (15.00")	241.3mm (9.50")	285.8mm (11.25")	10	180.6mm (7.11")	20.61mm (0.81")	36.6mm (1.44")	ABS ready	61HR78MG	
U Type	390.9mm (15.39")	231.7mm (9.12")	285.8mm (11.25")	10	193.0mm (7.60")	23.9mm (0.94")	39.1mm (1.54")	ABS ready	54HR365G	54HR365W

PARKING BRAKE SHOES

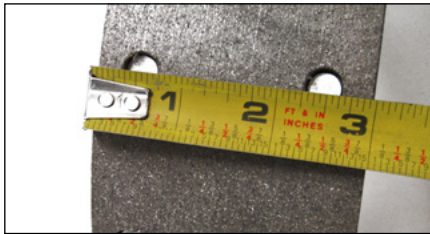


SILVERBACK®
OUTPERFORM
OUTLAST
OUTCLASS

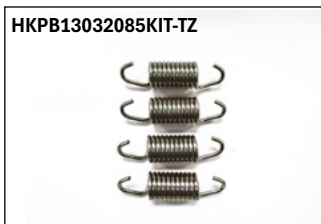
- ✓ No cores!
- ✓ Includes two new lined shoes with all return springs for easy fitment

PARKING BRAKE SHOES

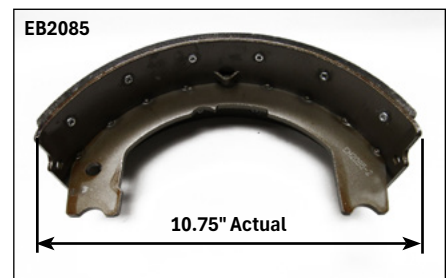
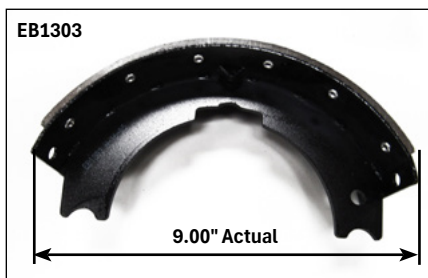
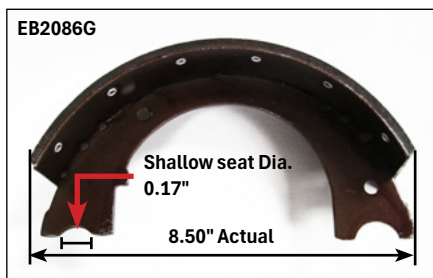
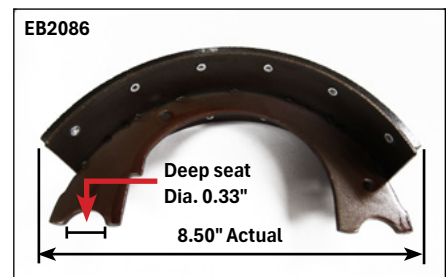
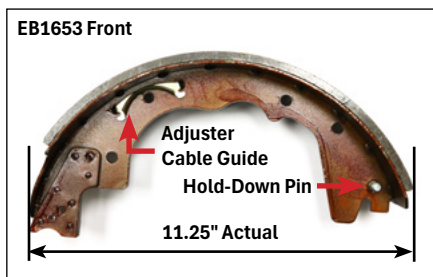
- A. Identify drum diameter.**
- B. Identify shoe width.**



Note: All SilverbackHD parking brake kits are two shoes with springs.



- C. Identify unique features.**



D. Use the table below to identify correct shoe required.

A	B	C	Application	FMSI	Replaces	SilverbackHD Part #
Drum Dia.	Shoe Width	Unique Features				
9.00"	3.00"	Shallow seat, shoe actual width 8.50"	GM, Dodge, Isuzu & International Styles	S647-2086	597577C92, 1798087, S-5829, 2086PB	EB2086G
9.00"	3.00"	Deep seat, shoe actual width 8.50"	Ford Style	S646-2086	S-5828, 2086PBH	EB2086
10.00"	3.00"	Shoe actual width 9.00"	International Truck & Bus Styles	1303	A2-3722-G-501, A-3722-G-501, 3722-E-499, 3722-C-497, 388912C91, S-A173, 1303PB	EB1303
12.00"	3.00"	Adjuster cable guide and hold down pin on one shoe, shoe actual width 11.25"	International Truck & Bus, Ford, Freightliner and Workhorse Styles	1653	2605826C91	EB1653
12.00"	4.00"	Shoe actual width 10.75"	Clark, Dana, Allison, Ford & International Styles	2085	A3-3722-E-421, A-3722-E-421, 3722-Y-415, 3722-W-413, S-3502, 2085PB	EB2085

AIR SPRINGS



- ✓ Premium-quality rubber
- ✓ Exceeds 10 million test cycles
- ✓ Unboxed units include top fasteners
- ✓ Boxed units include both top and bottom fasteners

AIR SPRINGS

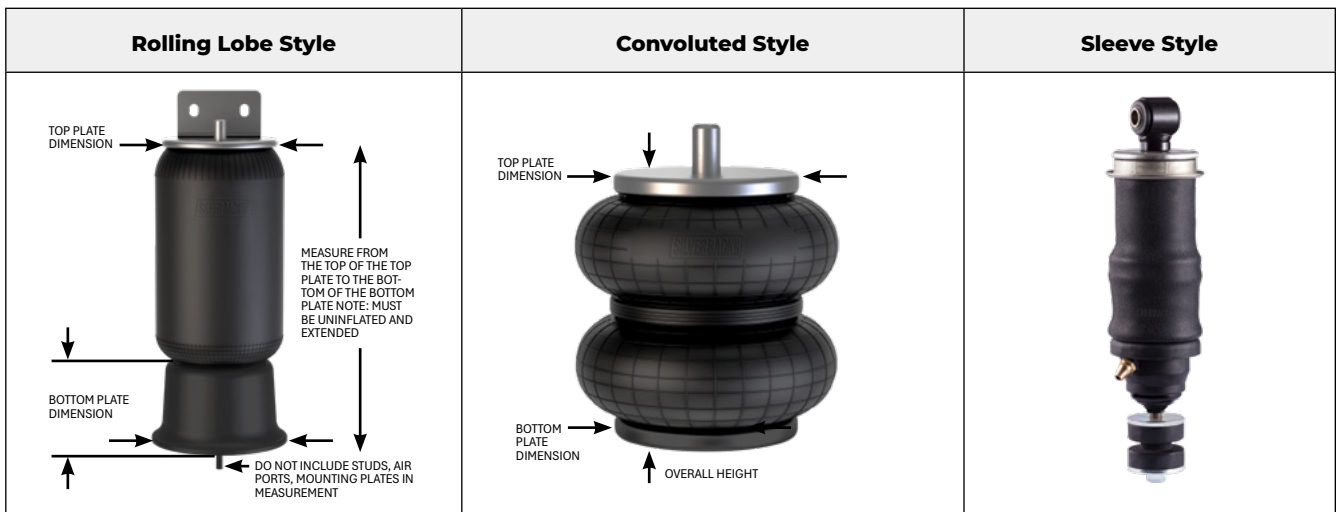
Note: Record your information. It will help to correctly identify the air spring you require.

A. Check the label, normally located on the top plate.

If legible, please refer to the Cross Reference section of our website at www.silverbackhd.com.

B. If the label is not legible you will first need to determine the style of air spring you require.

- **Rolling Lobe Style:** Allows the rubber (bellows) to move up and down the piston surface to adjust the height.
- **Convuluted Style:** Allows the rubber (bellows) to flex in and out.
- **Sleeve Style:** Used for cabs and seats.



C. Next, determine the air spring's overall height.

This is the measurement from the top of the top plate to the bottom of the base. Note: Measure when uninflated and fully extended. Do not include items such as studs, air inserts plates mounted to the top plate into the overall height dimension.

D. Rolling Lobe Style air springs start on page 91 and are sorted by height, from shortest to tallest.

Using the drawings attached, find the correct air springs with the same overall height. There may be several options. Now you will need to determine:

- The width of the top plate
- The top plate bolt pattern, offset distance from center, if applicable
- Quantity of bolts/air inserts on the top plate, thread pitch
- Width of the bottom plate
- Height of the bottom plate
- The bottom plate bolt/stud patterns, size, length, orientation of offset distance from center, if applicable, and thread pitch. Use overall height, above A through F, to determine correct Rolling Lobe Style air spring.

E. Convoluted Style air springs are on page 103.

Using the drawings attached, find the correct air springs with the same overall height. Now you will need to determine:

- The width of the top plate
- The top plate bolt pattern, offset distance from center, if applicable
- Quantity of bolts/air inserts on the top plate, thread pitch
- Width of the bottom plate
- Height of the bottom plate
- The bottom plate bolt/stud patterns, size, length, orientation of offset distance from center, if applicable, and thread pitch. Use overall height, above A through F, to determine correct Convoluted Style air spring.

F. Sleeve Style air springs start on page 105 and are sorted by height, from shortest to tallest.

Using the drawings attached, find the correct air springs with the same overall height. There may be several options. Now you will need to determine:

- The width of the top plate
- The top plate bolt pattern, offset distance from center if applicable
- Quantity of bolts/air inserts on the top plate, thread pitch
- Width of the bottom plate
- Height of the bottom plate
- The bottom plate bolt/stud patterns, size, length, orientation of offset distance from center, if applicable, and thread pitch. Use overall height, above A through F, to determine correct Convoluted Style air spring.

CAUTION: Firestone and Goodyear numbers molded into the rubber (bellows) are NOT the assembly numbers. Multiple air springs with the same number are used with various configurations of top plate and bottom plate sizes and configurations. Contact the SilverbackHD technical department for assistance. 1-855-848-8324.

SilverbackHD Air Spring Part #	Cross Section	Top Plate	Bottom Plate	Replaces
96AS22 96AS22-BULK				AGA9622, ABPN32019622, AB1DK20G-9622, 65367, 352-9622, FS9622, W01-358-9622, 1R11-221, 1R11-280, K-303-22, AS9622, AS8537, AS96220, WA01-9622C
95AS47 95AS47-BULK				AB1DK20G-9547, 68358, 452-9547, FS9547, W01-358-9547, AS9547, C81-1004, AS8859, AS95470, WA01-9547C
95AS41 95AS41-BULK				AGA9541, AB1DK20H-9541, 66109, 452-9541, FS9542, W01-358-9541, AS9541, 1R11-268, C81-1005, AS8861, AS95410
90AS39 90AS39-BULK				1R12-095, AB1DK23F-9039, 64260, 352-9039, FS9039, W01-358-9039, AS9039, S-11650, S-2064, 554766C1, 200457, 21208939, 21216135, 3130492, 12TA-1-2, 300-961250, 85101153, 1013589039C, AS90390, 90557011, 90557023, 90557085, 90044199, 90054234, TR9039, AS-8311, AS-0012, WA01-9039C
93AS07 93AS07-BULK				1R12-435, AB1DK23F-9307, 64439, 452-9307, FS9307, W01-358-9307, AS9307, 17360-01, 90557129, TR9307, AS-8471, AS93070, WA01-9307C

Note: Air springs are boxed and include fasteners for both top plate and pedestal installations. Products noted as bulk (e.g. 96AS22-BULK) are not boxed and have the top plate fasteners attached.

SilverbackHD Air Spring Part #	Cross Section	Top Plate	Bottom Plate	Replaces
87AS29 87AS29-BULK				AGA8729, AB1DK25D-8729, 77963, 352-8729, FS8729, W01-358-8729, FLTA1R13130, 1R13-130, 1R13-261, AS8729, AS8513, AS87290, WA01-8729C
98AS07 98AS07-BULK				AGA9807, AB1DK23I-9807, 68151, 352-9807, FS9807, W01-358-9807, 1R12-1047, AS9807, 50857000, 90557372, AS8874, AS98070, WA01-9807C
96AS16 96AS16-BULK				AB1DK23P-9616, 64256, 352-9616, FS9616, W01-358-9616, 1R11-242, K-303-16, AS9616, AS8515, AS96160,
82AS04 82AS04-BULK				AGA8204, AB1DK23H-8204, 64456, 352-8204, FS8204, W01-358-8204, FLTA1R12508, 1R12-508, 1R12-1078, AS8204, 90557173, 90557223, XD-SPN05360, AS8484, AS82040, WA01-8204C
94AS22 94AS22-BULK				AGA9422, ABPN32019422, AB1DK20D-9422, 64255, 352-9422, FS9422, W01-358-9422, FLTA1R11028, 1R11-028, 1R11-279, S-13032, K-303-14, K-303-6, K-305-15, 554762C1, 1003589422C, AS9422, 57009422, AS8314, AS94220, 85101148, AS-0017, WA01-9422C

Note: Air springs are boxed and include fasteners for both top plate and pedestal installations. Products noted as bulk (e.g. 96AS22-BULK) are not boxed and have the top plate fasteners attached.

SilverbackHD Air Spring Part #	Cross Section	Top Plate	Bottom Plate	Replaces
92AS70 92AS70-BULK				AGA9270, ABPN32019270, AB1DK23I-9270, 64287, 352-9270, FS9270, W01-358-9270, FLTA1R13119, 1R13-119, 1R13-259, C-20010, C-20559, C-21208, S-20010, S20559, S-21208, 1003589270C, AS9270, AS8433, AS92700, 85101147, AS-0084, WA01-9270C
88AS06 88AS06-BULK				1R12-445, ABIDK23i-8806, 64486, FS8806, W01-358-8806, AS8806, 1003588806C, AS-8545, AS88060, AS-0183
87AS82 87AS82-BULK				AB1DK258-8782, 66340, 452-8782, FS8782, W01-358-8782, 1R13-109, 1001R13109G, AS8871, AS87820
90AS69 90AS69-BULK				AGA9069, ABPN32019069, AB1DK23I-9069, 64274, 352-9069, FS9069, W01-358-9069, FLTA1R12069, 1R12-069, 1R12-669, 1R12-1069, S-133031, 554764C1, 03-01649, 03-02038, 03-02456, 03-04759, 03-06746, 03-07112, 03-10042, 1003589069C, AS9069, 57009069, AS8312, AS90690, 85101145, C81-6022, AS-0077, WA01-9069C
57AS410 57AS410-BULK				AB1DK28U-A214, 69701, 11 10.5E-16A214, AS02143, SP556214-KA, 90557410

Note: Air springs are boxed and include fasteners for both top plate and pedestal installations. Products noted as bulk (e.g. 96AS22-BULK) are not boxed and have the top plate fasteners attached.

SilverbackHD Air Spring Part #	Cross Section	Top Plate	Bottom Plate	Replaces
80AS91 80AS91-BULK				AGA8091, AB1DK28E-8091, 64421, 352-8091, FS8091, W01-358-8091, FLTA1R14171, 1R14-093, 1R14-171, 1R14-245, C-0901, S-20901, S-21784, AS8091, AS8523, AS80910, WA01-8091C
85AS39 85AS39-BULK				1R13-188, AB1DK25F-P1219, 78239, 452-8539, FS8539, W01-358-8539, AS8539, S-29892, SR1VA101-1, SR1JA100, AR1VA105, TR8539, AS-81219, AS85390
80AS50 80AS50-BULK				AGA8050, ABPN32018050, AB1DK28A-8050, 64254, 352-8050, FS8050, W01-358-8050, FLTA1R14039, 1R14-0383, 1R14-039, 1R14-055, 1R14-244, 36514-13, B-12514-013, B-4771, S-4771, 1685174C1, AS8050, 57008050, AS8320, AS80500, 3130498, AS-0039, WA01-8050C
99AS78 99AS78-BULK				AB1DK23I-A959, 57588, 352-9978, FS9978, W01-358-9978, S-28929, AS9978, AS8959, AS99780
87AS09 87AS09-BULK				AGA8709, ABPN32018709, AB1DK25A-8709, 64645, 352-8709, FS8709, W01-358-8709, FLTA1R13159, 1R13-159, 1R13-262, C-20900, C-21800, S-20900, S-21800, AS8709, AS8460, AS87090, WA01-8709C

Note: Air springs are boxed and include fasteners for both top plate and pedestal installations. Products noted as bulk (e.g. 96AS22-BULK) are not boxed and have the top plate fasteners attached.

SilverbackHD Air Spring Part #	Cross Section	Top Plate	Bottom Plate	Replaces
87AS55 87AS55-BULK				AGA8755, AB1DK25B-8755, 64397, 352-8755, FS8755, W01-358-8755, FLTA1R13124, 1R13-124, 1R13-260, C-21623, C-22045, S-21623, S-22045, AS8755, AS8522, AS87550, WA01-8755C
88AS29 88AS29-BULK				AB21DK23K-8829, 3528829, 352-8829, FS8829, W01-358-8829, FLTA1R12615, 1R12-615, 1R12-1083, AS8829, AS8449, AS88290, 3934699, 8079902, 8084296, 8097092, 20396293, 20413888, 20505399, 57QL54M, WA01-8829C
92AS13 92AS13-BULK				1R12-090, AB1DK23K-9213, 64308, 352-9213, FS9213, W01-358-9213, AS9213, S-13033, 1686386C1, 501559C1, 1660581C1, 501559C2, 3130495, 1003589213C, AS92130, TR9213, AS-8441, WA01-9213C
96AS48 96AS48-BULK				AGA9648, AB1DK23M-9648, 64263, 352-9648, FS9648, W01-358-9648, FLTA1R12538, 1R12-538, 1R12-1080, 2027911C1, 2027911C2, 2027911C3, AS9648, AS8456, AS96480, WA01-9648C
96AS26 96AS26-BULK				1R11--292, AB1DK20J-9626, 64692, 452-9626, FS9626, W01-358-9626, AS9626, S-23720, TR9626, AS-8568, AS96260

Note: Air springs are boxed and include fasteners for both top plate and pedestal installations. Products noted as bulk (e.g. 96AS22-BULK) are not boxed and have the top plate fasteners attached.

SilverbackHD Air Spring Part #	Cross Section	Top Plate	Bottom Plate	Replaces
90AS26 90AS26-BULK				1R12-567, ABIDK23K-9026, 64306, 452-9036, FS9026, W01-358-9026, AS9026, 03-06213, AS90260, TR9026, AS-8393, AS90260, WA01-9026C
90AS82 90AS82-BULK				AGA9082, AB1DK23K-9082, 64269, 352-9082, FS9082, W01-358-9082, FLTA1R12092, 1R12-092, 1R12-1070, 36514-7, B-12514-007, S-11651, S-13159, S-2066, S-4041, 57QL310, 517559C9, 12882-01, 1003589082C, AS9082, 90044200, 90044647, 90557027, 90557033, 90557037, 90557054, 90557075, AS8310, AS90820, 3130491, AS-0011, WA01-9082C
87AS74 87AS74-BULK				AB1DK28M-8774, 65593, 352-8774, FS8774, W01-358-8774, 1R14-172, S-25873, AS-0159, AS87740, WA01-358-8774, AS8774
96AS44 96AS44-BULK				AB1DK23J-9644, 64693, 452-9644, FS9644, S-23721, TR9644, AS-8569, AS96440
84AS63 84AS63-BULK				1R12-647, AB1D23H-P1153, 74883, FS8463, W01-M58-8463, AS8463, 20733034, 57QL519M, AS84630, AS-81153, AS11533

Note: Air springs are boxed and include fasteners for both top plate and pedestal installations. Products noted as bulk (e.g. 96AS22-BULK) are not boxed and have the top plate fasteners attached.

SilverbackHD Air Spring Part #	Cross Section	Top Plate	Bottom Plate	Replaces
84AS68 84AS68-BULK				1R12-654, 1R12-1049, ABIDF23H-P1206, 75561, FS8468, W01-M58-8468, AS8468, 21132004, 21132005, 21244322, 21669088, TR8468, AS-81206, AS84680
87AS08 87AS08-BULK				AB1DK25E-8708, 64638, 4528708, 452-8708, FS8708, W01-358-8708, FLTA1R13177, 1R13-177, 1R13-264, S-21966, AS8708, AS8526, AS87080, WA01-8708C
87AS13 87AS13-BULK				AB1DK25E-8713, 64636, 352-8713, FS8713, W01-358-8713, FLTA1R13176, 1R13-140, 1R13-176, 1R13-263, C-22948, S-22948, AS8713, AS8533, AS87130, WA01-8713C
93AS71 93AS71-BULK				AB1DK23P-9371, 64290, 352-9371, FS9371, W01-358-9371, 1R12-401, 1R12-1074, CS112401, 1670043C1, 1670073C1, 1686386C1, AS9371, AS8521, AS93710, AS-0139, WA01-9371C
99AS21 99AS21-BULK				AB1DK23P-9921, 64402, 352-9921, FS9921, W01-358-9921, 1R12-502, AS9921, 90557117, AS8443, AS99210, AS-0090, WA01-9921C

Note: Air springs are boxed and include fasteners for both top plate and pedestal installations. Products noted as bulk (e.g. 96AS22-BULK) are not boxed and have the top plate fasteners attached.

SilverbackHD Air Spring Part #	Cross Section	Top Plate	Bottom Plate	Replaces
99AS36 99AS36-BULK				1R12-499, AB1DK23P-9936, 64405, 452-9936, FS9936, W01-358-9936, AS9936, 90557156, 90557300, TR9936, AS8454, AS99360
93AS73 93AS73-BULK				AGA9373, AB1DK23M-9373, 64265, 64336, 352-9373, FS9373, W01-358-9373, FLTA1R12403, 1R12-403, 57122-1, 57122-2, 2992101C1, AS9373, AS8519, AS93730, AS-0141, AS-0217G, WA01-9373C
93AS75 93AS75-BULK				AB1DK23P-9375, 64264, 352-9375, FS9375, W01-358-9375, 1R12-404, 1R12-1076, 50899-1, 50899-2, 364SQ27, 57QL414M, AS9375, AS8451, AS93750, WA01-9375C
99AS74 99AS74-BULK				ABPN32019974, AB1DK23P-9974, 67586, 352-9974, FS9974, W01-358-9974, 1R12-1048, AS9974, 90557332, AS8930, AS99740
91AS21 91AS21-BULK				1R13-039, AB1D28G-9121, 64272, 352-9121, W01-358-9121, FS9121, AS9121, S-13160, 554773C1, 85101159, 3130503, 12882-02, 6424, 1003589121C, 90557019, 90557010, 90557052, 90557078, 90557083, 90557110, 90557324, 90044702, 90054060, TR9121, AS-8317, AS91210, AS-0013

Note: Air springs are boxed and include fasteners for both top plate and pedestal installations. Products noted as bulk (e.g. 96AS22-BULK) are not boxed and have the top plate fasteners attached.

SilverbackHD Air Spring Part #	Cross Section	Top Plate	Bottom Plate	Replaces
99AS35 99AS35-BULK				AB1DK23P-9935, 64412, 352-9935, FS9935, W01-358-9935, 1R12-532, AS9935, 90557157, 90557301, AS8548, AS99350, AS-0164-1G, WA01-9935C
97AS80 97AS80-BULK				AGA9780, AGA9781, ABPN32018537, ABPN32019781, AB1DF23-9780, AB1DF23-9781, 64266, 67473, 352-9780, 352-9781, FS9780, FS9781, W01-358-9780, W01-358-9781, AS9780, AS9781, FLTA1R12303, FLTA1R12603, 16-13810-000, 16-13810-001, 16-13810-002, 16-13840-000, 16-14004-000, 16-14004-001, 16-14377-000, 16-15595-000, 16-15595-000, 16-15595-001, 16-16773-000, 16-16825-000, 16-19465-000, 16-19466-000, 16-19467-000, 16-19468-000, 681-320-0017, A16-13668-002, A16-14004-000, 1R12-1082, 1R12-1072, 1R12-303, 1R12-603, 10089780C, AS8382, AS-8382P, AS8999, AS97800, AS97810, 85101151, AS-0147-1G, AS-0182, WA01-9780C, WA01-9781C
62AS58 62AS58-BULK				21227892FS25, AB1DK23P-6258, W01-R88-6258, 64729, 910-17.5P779, AS6258, AS-8779, AS-62580, 90036258
92AS43 92AS43-BULK				AB1DK23L-9243, 64329, 452-9243, FS9243, W01-358-9243, AS9243, 90557112, TR9243, AS-8384, AS-0061
21AS558 21AS558-BULK				A16-21558-000, A16-21558-001, 602206, 910S-16P1652

Note: Air springs are boxed and include fasteners for both top plate and pedestal installations. Products noted as bulk (e.g. 96AS22-BULK) are not boxed and have the top plate fasteners attached.

SilverbackHD Air Spring Part #	Cross Section	Top Plate	Bottom Plate	Replaces
11AS90 11AS90-BULK				AB1DK23R-9876, 73745, 352-1190, FS1190, W01-358-1190, 1R12-523, 3541732C1, 2514461C1, AS11901, AS1190
11AS91 11AS91-BULK				AB1DK23R-1731, 73746, 452-1191, AS1191, 1R12-1077, 1R12-432, 350243C94, 3541731C1, AS11910
11AS92 11AS92-BULK				AB1DF23I-P1137, 74662, 352-1192, FS1192, W01-358-1192, 1R12-689, 3691773C1, AS11920, AS1192
88AS52 88AS52-BULK				AB1DK23L-8852, 64339, 352-8852, FS8852, W01-358-8852, FLTA1R12568, 1R12-568, 1R12-1081, 03-07887, AS8852, AS8472, AS88520, WA01-8852C
95AS80 95AS80-BULK				AGA9580, AB1DK25C-9580, 64349, 352-9580, FS9580, W01-358-9580, FLTA1R13118, 1R13-081, 1R13-118, 1R13-258, C-20127, C-20414, S-20127, S-20414, AS9580, AS8434, AS95800, WA01-9580C

Note: Air springs are boxed and include fasteners for both top plate and pedestal installations. Products noted as bulk (e.g. 96AS22-BULK) are not boxed and have the top plate fasteners attached.

SilverbackHD Air Spring Part #	Cross Section	Top Plate	Bottom Plate	Replaces
88AS64 88AS64-BULK				AB1DK23L-8864, 66666, 352-8864, FS8864, W01-358-8864, 1R12-1097, C81-1011, FC81-1013, 03-08716, AS8864, AS8898, AS88640, WA01-8864C
94AS71 94AS71-BULK				1R12-504, AB1DK23P-9471, 69648, 452-9471, FS9471, W01-358-9471, AS9471, 90557146, 90557177, 90557182, 90557212, TR9471, AS-8052, AS94710
92AS65 92AS65-BULK				AGA9265, ABPN32019265, AB1DK23L-9265, 64288, 352-9265, FS9265, W01-358-9265, FLTA1R12375, 1R12-375, 1R12-1073, C-20124, C20413, S-20124, S-20413, AS9265, AS8435, AS92650, 85181155, WA01-9265C
91AS01 91AS01-BULK				AB1DK23L-9101, 64279, 352-9101, FS9101, W01-358-9101, AS9101, 1R12-103, S-10443, 554768C1, 12883-01, 1003589101C, S5828C, S740C, 90044201, 90044701, 90054218, 90557008, 90557009, 90557043, 90557082, AS8315, AS91010, 3130490, 85101149, AS-0040, WA019101C
93AS94 93AS94-BULK				AB1 DK23L-9394, 64237, 64615, 352-9394, FS9394, W01-358-9394, UCD-9392-2, UCE-9393-3, 1R12-281, S-10352, 1003589394C, AS9394, AS8321, AS93940, AS-0142, WA01-9394C

Note: Air springs are boxed and include fasteners for both top plate and pedestal installations. Products noted as bulk (e.g. 96AS22-BULK) are not boxed and have the top plate fasteners attached.

SilverbackHD Air Spring Part #	Cross Section	Top Plate	Bottom Plate	Replaces
91AS22 91AS22-BULK				AGA9122, AB1D28C-9122, 64273, 352-9122, FS9122, W01-358-9122, FLTA1R13038, 1R13-038, 1R14-045, 1R13-257, 36510-4, 36514-2, 36514-8, C-22173, S-12514-008, S-3830, 554772C1, S3053C, AS9122, 90554043, 90557071, 90557076, 90557077, AR12151G, AS8313, AS8530, AS91220, 3130500, WA01-9122C
96AS19 96AS19-BULK				AB1DK20K-9619, 64697, FS9619, W01-358-9619, AS9619, S-23614, AS-8741, AS96190,
93AS21 93AS21-BULK				AB1DK23N-9321, 64384, 64716, 352-9321, FS9321, W01-358-9321, 1R12-256, 1R12-335, 1R12-1071, B-14259, NS501304, 1003589321C, AS9321, 57009321, AS8505, AS8505P, AS93210, 85101160, AS-0036, WA01-9321C
93AS70 93AS70-BULK				AB1DK23N-9370, 64383, 352-9370, FS9370, W01-358-9370, 1R12-440, 1003589370C, AS9370, AS-8448, AS93700, AS-0057, WA01-9370C
96AS45 96AS45-BULK				W01-358-9645, 64695, 910BP-22P739, AS9645, AS8739, AS96450, 1DK23U-9645, S-23612, 566.ER9645, SP559645-KP, TR9645, RL96450

Note: Air springs are boxed and include fasteners for both top plate and pedestal installations. Products noted as bulk (e.g. 96AS22-BULK) are not boxed and have the top plate fasteners attached.

SilverbackHD Air Spring Part #	Cross Section	Top Plate	Bottom Plate	Replaces
76AS59 76AS59-BULK				2B7-548, SP2B07RA-7659, 67667, FS7659, W01-358-7659, AS7659, 005709, TR7659, AS-4775, AS76590
77AS05 77AS05-BULK				SP2B08RA-7705, 64666, 454-7705, FS7705, W01-358-7705, AS7705, AS-4715, AS77050, AS-0068
68AS97 68AS97-BULK				SP2B12R-6897, 64517, 354-6897, FS6897, W01-358-6897, 2B9-229, 2B9-494, 1002486897C, AS6897, AS4505, AS4706, AS68970, AS-0058, WA01-6897C
69AS02 69AS02-BULK				SP2B12R-6902, 64509, 354-6902, FS6902, W01-358-6902, 2B9-493, 2B9-201, S-2630, 554784C1, 1003586902C, AS6902, 57006902, AS4499, AS69020, AS-0002, WA01-6902C
69AS05 69AS05-BULK				2B9-206, SP2B12R-6905, 64510, 354-6905, FS6905, W01-358-6905, AS6905, S-3518, S-5270, 45843-1, 1685175C1, 85101146, 6389, 1003586905C, AS69050, 57006905, TR6905, AS4315, AS69050, AS-0020, WA01-6905C

Note: Air springs are boxed and include fasteners for both top plate and pedestal installations. Products noted as bulk (e.g. 96AS22-BULK) are not boxed and have the top plate fasteners attached.

SilverbackHD Air Spring Part #	Cross Section	Top Plate	Bottom Plate	Replaces
69AS10 69AS10-BULK				2B9-200, SP2B12R-6910, 64267, 354-6910, FS6910, W01-358-6910, AS6910, S-8768, 45843-3, 554784C1, 2726, 1371, 1003586910C, AS6910, 57006910, TR6910, AS-4320, AS69100, AS-0001, WAO1-6910C
77AS95 77AS95-BULK				2B10-226, SP2B12R-7795, 67705, 454-7795, AS7795, W01-358-7795, B-14486, 003317, S-14486, AS77950, TR7795, AS-4713, AS77950, AS-0146-1G, WAO1-7795C
78AS97 78AS97-BULK				2B9-495, 64683, 454-7897, FS7897, w01-358-7897, W01-455-7898, W01-455-8148, AS7897, 002878, S-23114, TR7897, AS4709, AS78970,
71AS80 71AS80-BULK				2B12-425, SP2B22R-7180, 64493, 454-7180, 64493, FS7180, W01-358-7180, AS7180, 1685179C1, 1003587180C, 57007180, AS-4363, AS71800
80AS32 80AS32-BULK				3B12-319, SP3B22R-8032, 64560, 454-8032, FS8032, W01-358-8032, AS8032, S-12405, 1003588032C, AS80320, TR8032, AS-4413, AS80320

Note: Air springs are boxed and include fasteners for both top plate and pedestal installations. Products noted as bulk (e.g. 96AS22-BULK) are not boxed and have the top plate fasteners attached.

SilverbackHD Air Spring Part #	Cross Section	Top Plate	Bottom Plate	Replaces
80AS33 80AS33-BULK				3B12-312, SP3B22R-8033, 64571, 454-8033, FS8033, W01-358-8033, AS8033, 003316, B-14487, S-14487, AS8033, TR8033, AS-4525, AS80330, AS-0168G, WA01-8033C

SilverbackHD Air Spring Part #	Cross Section	Top Plate	Bottom Plate	Replaces
72AS06 72AS06-BULK				1S5-176

SilverbackHD Air Spring Part #	Cross Section	Top Plate	Bottom Plate	Replaces
70AS01 70AS01-BULK				ABSZ70-7001, 67770, FS7001, W01-358-7001, 227QS33, 2501293C1, AS7001, AS-5001, AS70010

SilverbackHD Air Spring Part #	Cross Section	Top Plate	Bottom Plate	Replaces
70AS87 70AS87-BULK				ABSZ70-7087, 67636, 453-7087, FS7087, W02-358-7087, GYR1S5-040, 1S5-040, AS7087, AS5087, AS70870

SilverbackHD Air Spring Part #	Cross Section	Top Plate	Bottom Plate	Replaces
70AS64 70AS64-BULK				ABSZ70-7064, 67768, 453-7064, FS7064, W02-358-7064, 1S5-157, AS7064, AS-5064, AS70640, WA01-7064C

Note: Air springs are boxed and include fasteners for both top plate and pedestal installations. Products noted as bulk (e.g. 96AS22-BULK) are not boxed and have the top plate fasteners attached.

SilverbackHD Air Spring Part #	Cross Section	Top Plate	Bottom Plate	Replaces
71AS09 71AS09-BULK		 Recommended mounting hole 0.72" diameter	 1/4" Air tube fitting Rec. mounting hole 1.34" dia.	ABSZ70-7109, 69624, FS7109, W02-358-7109, T811000, AS7109, AS71090

SilverbackHD Air Spring Part #	Cross Section	Top Plate	Bottom Plate	Replaces
72AS05 72AS05-BULK		 Recommended mounting hole 0.72" diameter	 1/4" Air tube fitting Rec. mounting hole 1.34" dia.	ABPN32027205, ABSZ70-7205, 67638, 453-7205, FS7205, W02-358-7205, AS7205, AS-5205, AS72050, 6600-3406

SilverbackHD Air Spring Part #	Cross Section	Top Plate	Bottom Plate	Replaces
70AS59 70AS59-BULK		 1/2" O.D. smooth	 3/4" smooth outside 1/8"-27NPTF inside	ABSZ70-7059, 353-7059, FS7059, W02-358-7059, AS7059, AS70590

SilverbackHD Air Spring Part #	Cross Section	Top Plate	Bottom Plate	Replaces
72AS15 72AS15-BULK		 Recommended mounting hole 0.72" diameter	 1/4" Air tube fitting Rec. mounting hole 1.34" dia.	ABPN32027215, ABSZ70-7215, 68161, 453-7215, FS7215, W02-358-7215, 18-40977-000, 18-52651-000, 18-66715-000, 1S5-175, AS7215, AS72150, WA01-7215C

SilverbackHD Air Spring Part #	Cross Section	Top Plate	Bottom Plate	Replaces
70AS93 70AS93-BULK		 Recommended mounting hole 0.72" diameter	 1/4" Air tube fitting Rec. mounting hole 1.34" dia.	ABSZ70-7093, 64526, 453-7093, FS7093, W01-358-7093, AS7093, AS-4515, AS70930

Note: Air springs are boxed and include fasteners for both top plate and pedestal installations. Products noted as bulk (e.g. 96AS22-BULK) are not boxed and have the top plate fasteners attached.

SilverbackHD Air Spring Part #	Cross Section	Top Plate	Bottom Plate	Replaces
70AS36 70AS36-BULK				ABPN32027036, ASBZ70-7036, 68162, 453-7036, FS7036, W02-358-7036, 1S5-186, 29-02454, 29-03200, AS7036, AS-5036, AS70360, WA01-7036C

SilverbackHD Air Spring Part #	Cross Section	Top Plate	Bottom Plate	Replaces
60AS58 60AS58-BULK				1S6-058, ABSZ70-2624, 21165209, 20462624, 20463622, 57912005000000, 57912005800035, TR6058

SilverbackHD Air Spring Part #	Cross Section	Top Plate	Bottom Plate	Replaces
51AS71 51AS71-BULK				1S5-171, ABSZ70-2622, 78421, 21165207, 20462622, 80746292, 579100065, 57910014100000, 57910017100035, 1S5-065, 1S5-141, TR5171

SilverbackHD Air Spring Part #	Cross Section	Top Plate	Bottom Plate	Replaces
70AS81 70AS81-BULK				ABSZ70-7081, 453-7081, FS7081, W02-358-7081, 1S5038, 1S5-038, 2501300C1, AS7081, AS70810

SilverbackHD Air Spring Part #	Cross Section	Top Plate	Bottom Plate	Replaces
60AS54 60AS54-BULK				1S6-054, ABSZ70-2453, 21338453, 21193602, TR8451

Note: Air springs are boxed and include fasteners for both top plate and pedestal installations. Products noted as bulk (e.g. 96AS22-BULK) are not boxed and have the top plate fasteners attached.



NUMERICAL PART NUMBER LISTING WITH PAGE NUMBERS

Numbers

01AC2341X – 06, 10, 27	16ADSC – 13, 27	37BD10B – 45
01AC2341XW – 06, 10, 27	16SC – 68	37BD10BW – 45
01AC2342X – 06, 10, 27	18ADSC – 13, 27, 28, 29	37BD21AB – 45
01AC2342XW – 06, 10, 27	19HR996G – 81	37BD21ABW – 45
09SC – 68	19HR996W – 81	37BD44B – 45
10AC9957X – 06, 10, 27	20ADSC – 13, 27, 28, 29	37BD53B – 45
10AC9957XW – 06, 10, 27	20SC – 68	37BD57B – 46
10AC9958X – 06, 10, 27	21AS558 – 99	37BD57BW – 46
10AC9958XW – 06, 10, 27	24ADSC – 13	37BD58B – 45
10AC9961X – 06, 10, 27	24SC – 68	37BD60BB – 45
10AC9961XW – 06, 10, 27	25BD46CB – 46	37BD74B – 45
10AC9962X – 06, 10, 27	27BD05B – 46	37BD82B – 46
10AC9962XW – 06, 10, 27	29BD83CB – 46	37BD96B – 46
10AR020109G – 26, 28	29BD83CBW – 46	38BD00B – 45
10AR020109W – 26, 28	29BD97DB – 46	38BD00BW – 45
10AR034621G – 26, 29	30BD18AB – 46	38BD07AB – 46
10AR083733G – 26, 29	30BD18ABW – 46	38BD07ABW – 46
11AC3887X – 06, 10, 27	30BD22BB – 46	38BD87B – 45
11AC3888X – 06, 10, 27	30CLW – 69	38BD89B – 46
11AS90 – 100	30D – 69	39BD22BW – 46
11AS90-BULK – 100	30LS225WC – 68	40AC175072 – 06, 09, 27
11AS91 – 100	30SC – 68	40AC175072W – 06, 09, 27
11AS91-BULK – 100	31BD20B – 46	40AC175073 – 06, 09, 27
11AS92 – 100	31BD41B – 46	40AC175073W – 06, 09, 27
11AS92-BULK – 100	31BD41BB – 46	40AC195037 – 06, 09, 27
12BD3463B – 46	31BD58B – 45	40AC195037W – 06, 09, 27
12SC – 68	31BD61BW – 46	40AC195038 – 06, 09, 27
13CL706-7 – 74, 77	31BD66B – 45	40AC195038W – 06, 09, 27
14AC9714X – 06, 10, 27	31BD66BW – 45	40AC225015 – 07, 09, 27
14AC9714XW – 06, 10	31BD74B – 45	40AC225015W – 07, 09, 27
14AC9715X – 06, 10, 27	32BD95AB – 46	40AC225016 – 07, 09, 27
14AC9715XW – 06, 10	32BD95ABW – 46	40AC225016W – 07, 09, 27
14CL7076 – 74, 77	34BD02B – 46	41AR5332G – 26, 27, 28
14CL7077 – 74, 77	34BD67BB – 45	41AR5332W – 27, 28
14CL684012-3 – 74, 77	35BD57B – 45	50CP – 69
14CL684014-5 – 74, 77	35BD76B – 46	51AC830052 – 07, 10, 27
14HR1394G – 82	36BD00AB – 46	51AC830052W – 07, 10, 27
	36BD87B – 46	51AC830053 – 07, 10
	36BD99B – 45	51AC830053W – 07, 10, 27

Ordering and Customer Service

Toll Free: 1-855-244-SBSB (7272)
www.SilverbackHD.com

Tech Support

Toll Free: 1-855-848-TECH (8324)
tech.support@silverbackhd.com

51AC8300553 – 27	64AC02222070 – 07	72AS15 – 106
51AS71 – 107	64AC02222070W – 07	72AS15-BULK – 106
51AS71-BULK – 107	64AC02222080 – 07	75AR180G – 25, 27
54HR102G – 81	64AC02222080W – 07	75AR180W – 25, 27
54HR104G – 81	64AC02250800 – 07, 09, 28	76AR606G – 26, 28
54HR105G – 81	64AC02250800W – 07, 09, 28	76AR606W – 26, 28
54HR301G – 82	64AC02250810 – 07, 10, 28	76AR613G – 26, 27, 28
54HR365G – 82	64AC02250810W – 07, 10, 28	76AR613W – 26, 27, 28
54HR365W – 82	64AC03220650 – 07, 10, 28	76AR617G – 26, 27
54HR769G – 81	64AC03220650W – 07, 10, 28	76AR617W – 26, 27
54HR769W – 81	64AC03220660 – 07, 10, 28	76AR618G – 26, 27
54HR770G – 81	64AC03220660W – 07, 10, 28	76AR618W – 26, 27
54HR771G – 82	68AS97 – 103	76AR626G – 25, 27
54HR771W – 82	68AS97-BULK – 103	76AR626W – 27
54HR773G – 82	69AS02 – 103	76AR692G – 25, 27
54HR773W – 82	69AS02-BULK – 103	76AR692W – 25, 27
54HR775G – 82	69AS05 – 103	76AR801G – 26, 27, 28, 29
54HR775W – 82	69AS05-BULK – 103	76AR801W – 26, 27, 28, 29
55CL250 – 74, 77	69AS10 – 104	76AR901G – 26, 27, 28
55CL251 – 74, 77	69AS10-BULK – 104	76AR901W – 27, 28
55CL252 – 74, 77	70AS01 – 105	76AS59 – 103
55CL314 – 74, 77	70AS01-BULK – 105	76AS59-BULK – 103
55CL849 – 73, 74, 77	70AS36 – 107	77AS05 – 103
55CL850 – 73, 74, 77	70AS36-BULK – 107	77AS05-BULK – 103
56AR641G – 25, 28	70AS59 – 106	77AS95 – 104
56AR641W – 25, 28	70AS59-BULK – 106	77AS95-BULK – 104
56AR642G – 26, 28	70AS64 – 105	78AS97 – 104
56AR642W – 28	70AS64-BULK – 105	78AS97-BULK – 104
56SAR642W – 26	70AS81 – 107	80AS32 – 104
57AS410 – 93	70AS81-BULK – 107	80AS32-BULK – 104
57AS410-BULK – 93	70AS87 – 105	80AS33 – 105
60AS54 – 107	70AS87-BULK – 105	80AS33-BULK – 105
60AS54-BULK – 107	70AS93 – 106	80AS50 – 94
60AS58 – 107	70AS93-BULK – 106	80AS50-BULK – 94
60AS58-BULK – 107	71AR601G – 26, 27	80AS91 – 94
61HR78AMG – 82	71AR601W – 26, 27	80AS91-BULK – 94
61HR78AMW – 82	71AS09 – 106	82AS04 – 92
61HR78MG – 82	71AS09-BULK – 106	82AS04-BULK – 92
62AS58 – 99	71AS80 – 104	84AS63 – 96
62AS58-BULK – 99	71AS80-BULK – 104	84AS63-BULK – 96
64AC02220070 – 09, 27	72AS05 – 106	84AS68 – 97
64AC02220070W – 09, 27	72AS05-BULK – 106	84AS68-BULK – 97
64AC02220080 – 09, 28	72AS06 – 105	85AS39 – 94
64AC02220080W – 09, 28	72AS06-BULK – 105	85AS39-BULK – 94



86BD56B – 46	92AS70-BULK – 93	99AS21-BULK – 97
87AS08 – 97	93AS07 – 97	99AS35 – 99
87AS08-BULK – 97	93AS07-BULK – 97	99AS35-BULK – 99
87AS09 – 94	93AS21 – 102	99AS36 – 98
87AS09-BULK – 94	93AS21-BULK – 102	99AS36-BULK – 98
87AS13 – 97	93AS70 – 102	99AS74 – 98
87AS13-BULK – 97	93AS70-BULK – 102	99AS74-BULK – 98
87AS29 – 92	93AS71 – 97	99AS78 – 94
87AS29-BULK – 92	93AS71-BULK – 97	99AS78-BULK – 94
87AS55 – 95	93AS73 – 98	1624ADSB – 13, 27
87AS55-BULK – 95	93AS73-BULK – 98	1824ADSB – 13, 27, 28, 29
87AS74 – 96	93AS75 – 98	2024ADSB – 13, 27, 28, 29
87AS74-BULK – 96	93AS75-BULK – 98	2024ADSC – 27
87AS82 – 93	93AS94 – 101	2424ADSB – 13
87AS82-BULK – 93	93AS94-BULK – 101	2424SB – 68
88AS06 – 93	94AS22 – 92	2430SB – 68
88AS06-BULK – 93	94AS22-BULK – 92	3030PBK – 68
88AS29 – 95	94AS71 – 101	3030PBKLS – 68
88AS29-BULK – 95	94AS71-BULK – 101	3030PBKLSW – 68
88AS52 – 100	95AS41 – 97	3030PBKW – 68
88AS52-BULK – 100	95AS41-BULK – 97	3030RB – 69
88AS64 – 101	95AS47 – 97	3030SB – 68
88AS64-BULK – 101	95AS47-BULK – 97	3030SB-INT – 68
90AS26 – 96	95AS80 – 100	3030SBLS – 68
90AS26-BULK – 96	95AS80-BULK – 100	3030SBLS-INT – 68
90AS39 – 97	96AS16 – 92	3030SBLSW – 68
90AS39-BULK – 97	96AS16-BULK – 92	3030SBLSWC225 – 68
90AS69 – 93	96AS19 – 102	3030SBLSWC287 – 68
90AS69-BULK – 93	96AS19-BULK – 102	3030SBW – 68
90AS82 – 96	96AS22 – 97	5850CV – 69
90AS82-BULK – 96	96AS22-BULK – 97	
91AS01 – 101	96AS26 – 95	A
91AS01-BULK – 101	96AS26-BULK – 95	ASB65175 – 63
91AS21 – 98	96AS44 – 96	ASB65247 – 63
91AS21-BULK – 98	96AS45 – 102	ASB65344 – 63
91AS22 – 102	96AS45-BULK – 102	ASB65700 – 63
91AS22-BULK – 102	96AS48 – 95	ASG1132 – 63
92AS13 – 95	96AS48-BULK – 95	ASG1133 – 63
92AS13-BULK – 95	96AS74-BULK – 96	ASG1136 – 63
92AS43 – 99	97AS80 – 99	ASG1138 – 63
92AS43-BULK – 99	97AS80-BULK – 99	ASG1140 – 63
92AS65 – 101	98AS07 – 92	ASG1141 – 63
92AS65-BULK – 101	98AS07-BULK – 92	ASG1142 – 63
92AS70 – 93	99AS21 – 97	ASG1144 – 63

Ordering and Customer Service

Toll Free: 1-855-244-SBSB (7272)
www.SilverbackHD.com

Tech Support

Toll Free: 1-855-848-TECH (8324)
tech.support@silverbackhd.com

ASG1147 – 63
ASG1150 – 63
ASH40010001 – 63
ASH40010013 – 63
ASH40010070 – 63
ASH40010086 – 63
ASH40010140 – 63
ASH40010141 – 63
ASH40010142 – 63
ASH40010143 – 63
ASH40010144 – 64
ASH40010145 – 63
ASH40010155 – 63
ASH40010156 – 63
ASH40010211 – 63
ASH40010212 – 64
ASH40010213 – 63
ASH40010214 – 64
ASH40010215 – 63
ASH40010216 – 64
ASH40010305 – 64
ASH40010306 – 64
ASH40020211 – 63
ASH40020212 – 64
ASH40020228 – 63
ASH40020231 – 63
ASH40020234 – 63
ASH40020241 – 63
ASM801041 – 64
ASM801042 – 64
ASM801073 – 64
ASM801074 – 64
ASM801079 – 64
ASM801102 – 64
ASM802446 – 64
ASM802447 – 64
ASM802486 – 64
ASM802487 – 64

C

CRK2090B – 51, 55, 56
CRK2122B – 51, 55
CRK2125B – 50, 56
CRK2287B – 50, 51, 52, 55, 56
CRK2469B – 56

CRK2696AB – 52, 55, 56
CRK3520AB – 51, 56
CRK3520B – 55
CRK3993BB – 50, 51, 55, 56
CRK5501B – 56
CRK9078B – 51, 52, 55, 56
CRK9079B – 51, 52, 55, 57
CRK9080B – 50, 51
CRK9790AB – 51, 52, 55, 57
CRK10897B – 55, 57
CRK11450B – 57
CRK11897B – 50, 55, 57
CRK11897BW – 50, 55, 57
CRK11910B – 51, 52, 55, 57
CS1563L – 51, 55
CS1564R – 51, 55
CS1775R – 50, 55
CS1776L – 50, 55
CS2099L – 51, 55
CS2100R – 51, 55
CS3856L – 51, 55
CS3857R – 51, 55
CS4892L – 50
CS4893R – 50
CS5003L – 50, 55
CS5004R – 50, 55
CS5506L – 51, 55
CS5507R – 51, 55
CS5508L – 51, 55
CS5509R – 51, 55
CS5510L – 52, 55
CS5511R – 52, 55
CS5520L – 51, 55
CS5521R – 51, 55
CS5526L – 51, 55
CS5527R – 51, 55
CS7219L – 52, 55
CS7220R – 52, 55
CS9059L – 52, 55
CS9060R – 52, 55
CS9100L – 52, 55
CS9101R – 52, 55
CS9649L – 50, 55
CS9650R – 50, 55
CS9657L – 50, 55

CS9658R – 50, 55
CS9659L – 50, 55
CS9660R – 50, 55
CS9661L – 50, 55
CS9662R – 50, 55
CS9663L – 50, 55
CS9664R – 50, 55
CS9669L – 50, 55
CS9670R – 50, 55
CS9671L – 51, 55
CS9672R – 51, 55
CS9673AL – 51, 55
CS9674AR – 51, 55
CS9677L – 51, 55
CS9678R – 51, 55
CS9681L – 51, 55
CS9682R – 51, 55
CS9683L – 51, 55
CS9684R – 51, 55
CS9731L – 51, 55
CS9732R – 51, 55
CS9733L – 51, 55
CS9734R – 51, 55
CS9735L – 51, 55
CS9736R – 51, 55
CS10909L – 52, 55
CS10910R – 52, 55
CS11860L – 52, 55
CS11861R – 52, 55
CS11864L – 50, 55
CS11865R – 50, 55
CS11866L – 50, 55
CS11867R – 50, 55

D

D184-7806CE – 74, 77
D224-7807CE – 74, 77
D225-7808CE – 74, 77
D225-7808SD – 74, 77
D236-7809CE – 74, 77
D769-7636CE – 74, 77
D769-7636SD – 74, 77
D786-7655CE-THICK – 74, 77
D786-7655SD-THICK – 74, 77
D786A-7654CE-THIN – 74, 77



D786A-7654SD-THIN – 74, 77
D1066-7972CE – 74, 77
D1066-7972SD – 74, 77
D1203-8323 – 17, 20
D1203-8323SD – 17, 20
D1203-8323SM – 17
D1310-8425 – 17, 21
D1311-8426 – 17, 21, 28
D1311-8426SD – 17, 21, 28
D1311-8426SM – 17, 21, 28
D1312-8427 – 17, 22
D1369-8479 – 17, 19, 27
D1369-8479SD – 17, 19, 27
D1369-8479SM – 17, 19, 27
D1370-8480 – 17, 20, 28, 29
D1370-8480SD – 17, 20, 28, 29
D1370-8480SM – 17, 20, 28, 29
D1407-8515 – 17, 21
D1438-8556 – 17, 18, 27
D1438-8556SD – 17, 18, 27
D1438-8556SM – 17, 18, 27
D1518-8727 – 17, 18, 27
D1518-8727SD – 17, 18, 27
D1518-8727SM – 17, 18, 27
D1583-8795 – 17, 18
D1583-8795SD – 17, 18
D1708-8931 – 17, 21, 28
D1708-8931SD – 17, 21, 28
D1708-8931SM – 17, 21, 28
D1777-9007 – 17, 19, 27, 28
D1777-9007SD – 17, 19, 27, 28
D1777-9007SM – 17, 19, 27, 28
D2061-9294 – 17, 19, 28
D2061-9294SM – 17, 19, 28
D2252-9490 – 17, 19, 27
D2252-9490SD – 17, 19, 27
D2421-9645 – 17, 20
D2421-9645SD – 17, 20
D2526-9757 – 17, 20
D2526-9757SD – 17, 20
D2588-9816 – 17, 18
D2588-9816SD – 17, 18

E

EB1303 – 85, 86
EB1653 – 85, 86
EB2085 – 85, 86
EB2086 – 85, 86
EB2086G – 85, 86
EXAC225H201X – 07, 10, 28
EXAC225H201XW – 07, 10, 28
EXAC225H202X – 07, 10, 28
EXAC225H202XW – 07, 10, 28
EXAC225H205X – 08, 10, 28
EXAC225H205XW – 08, 10, 28
EXAC225H206X – 08, 10, 28
EXAC225H206XW – 08, 10, 28
EXAC225H225X – 08, 10, 28
EXAC225H225XW – 08, 10, 28
EXAC225H226X – 08, 10, 28
EXAC225H226XW – 08, 10, 28
EXAC225H227X – 08, 10, 28
EXAC225H227XW – 08, 10, 28
EXAC225H228X – 08, 10, 28
EXAC225H228XW – 08, 10, 28
EXAC225H301X – 08, 10, 28
EXAC225H301XW – 08, 10, 28
EXAC225H302X – 08, 10, 28
EXAC225H302XW – 08, 10, 28
EXAC225L201X – 08, 10, 28
EXAC225L201XW – 08, 10, 28
EXAC225L202X – 08, 10, 28
EXAC225L202XW – 08, 10, 28
EXAC225L261X – 08, 10, 29
EXAC225L261XW – 08, 10, 29
EXAC225L262X – 08, 10, 29
EXAC225L262XW – 08, 10, 29
EXAC225L269X – 09, 10, 29
EXAC225L269XW – 09, 10, 29
EXAC225L270X – 09, 10, 29
EXAC225L270XW – 09, 10, 29
EXAC225L271X – 09, 10, 29
EXAC225L271XW – 09, 10, 29
EXAC225L272X – 09, 10, 29
EXAC225L272XW – 09, 10, 29

H

HK11HH754 – 73, 74

HK71HH18-19BS – 73, 74
HK71HH18-19CP – 73, 74
HK802TB119 – 09
HK803GP114 – 09
HK1225D-150 – 35, 41, 42
HK1225DX – 35, 41, 42
HK1225Q – 35, 41, 42
HK1225SF – 35, 41, 42
HK1308E – 34, 41, 42
HK1308E-TZ – 34
HK1308Q – 34, 41, 42
HK1657QM – 34, 35, 41, 42
HK1657QM-TZ – 34
HK4311E – 34, 41, 42
HK4311E-TZ – 34
HK4515CSP – 35, 41, 42
HK4515F-3 – 34, 41, 42
HK4515F-3-TZ – 34
HK4515Q-34 – 34, 35, 41, 42
HK4515Q-34-TZ – 35
HK4702Q – 34, 35, 41, 42
HK4702Q-TZ – 34
HK4709E – 34, 35, 41, 42
HK4709E-12 – 34, 35, 41, 42
HK4709E-12-TZ – 34, 35
HK4719E – 34, 41, 42
HK4719E-TZ – 34
HK4729E – 34, 41, 42
HKADB22X – 27
HKADB22XH – 06, 07, 08, 27, 28, 29
HKADB22XV – 06
HKD1203 – 20
HKD1310-D1407 – 21
HKD1311 – 19, 20, 21
HKD1312 – 22
HKD1369 – 09, 19
HKD1369-SN – 09
HKD1438 – 18
HKD1518 – 18
HKD1583 – 18
HKD1777 – 19
HKD2061 – 19
HKH225206 – 07, 08, 09, 28
HKH225226 – 08, 28, 29

Ordering and Customer Service

Toll Free: 1-855-244-SBSB (7272)
www.SilverbackHD.com

Tech Support

Toll Free: 1-855-848-TECH (8324)
tech.support@silverbackhd.com

HKH225286 – 07, 28
HKH227228 – 08, 09, 28, 29
HKMAXX22T – 07, 27, 28
HKMERFFFG – 07, 08, 28
HKMERFHFL – 07, 08, 28
HKPAN17 – 06, 27
HKPAN1922I – 06, 07, 27
HKPB2086KIT-TZ – 85
HKPB13032085KIT-TZ – 85
HKS7ST7 – 06, 07, 27

W

WK1308E-20KSB – 34
WK1308E-23KSB – 34
WK1308E-23KW – 34
WK1308Q-20KSB – 34
WK1308Q-23KSB – 34
WK1443E-20KSB – 34
WK1443E-23KSB – 34
WK1443E-23KW – 34
WK4311E-20KSB – 34
WK4311E-23KSB – 34
WK4311E-23KW – 34
WK4514Q-23KSB – 34
WK4515CP-26KSD – 35
WK4515Q-20KSB – 35
WK4515Q-20KW – 35
WK4515Q-23KSB – 35
WK4515Q-23KSBHTP – 35
WK4515Q-23KW – 35
WK4515XEM3-23KSB – 34
WK4515XEM3-23KW – 34
WK4524Q-20KSB – 34
WK4524Q-23KSB – 34
WK4524QR-23KSB – 34
WK4551Q-20KSB – 35
WK4551Q-23KSB – 35
WK4591DX-23KSB – 35
WK4591SF-23KSB – 35
WK4670Q-23KSB – 35
WK4692Q-20KSB – 35
WK4692Q-23KSB – 35
WK4702Q-20KSB – 34
WK4702Q-20KW – 34

WK4702Q-23KSB – 34
WK4702Q-23KW – 34
WK4703Q-20KSB – 34
WK4703Q-23KSB – 34
WK4704Q-23KSB – 34
WK4705Q-23KSB – 34
WK4707Q-20KSB – 35
WK4707Q-20KW – 35
WK4707Q-23KSB – 35
WK4707Q-23KSBHTP – 35
WK4707Q-23KW – 35
WK4707Q-26KSBSD – 35
WK4707QR-23KSB – 35
WK4709ES2-20KSB – 34
WK4709ES2-20KW – 34
WK4709ES2-23KSB – 34
WK4709ES2-23KSBHTP – 34
WK4709ES2-23KW – 34
WK4709ES2-26KSBSD – 34
WK4709ES2F-23KSB – 34
WK4710Q-23KSB – 35
WK4710Q-23KSBHTP – 35
WK4710Q-26KSBSD – 35
WK4711Q-20KSB – 35
WK4711Q-23KSB – 35
WK4711Q-23KSBHTP – 35
WK4711Q-26KSBSD – 35
WK4715Q-20KSB – 34
WK4715Q-23KSB – 34
WK4715Q-23KW – 34
WK4718Q-23KSB – 35
WK4718Q-23KSBHTP – 35
WK4718Q-26KSBSD – 35
WK4719ES2-20KSB – 34
WK4719ES2-23KW – 34
WK4719ES-23KSB – 34
WK4720Q-20KSB – 34
WK4720Q-23KSB – 34
WK4720Q-23KW – 34
WK4725ES2-20KSB – 34
WK4725ES2-23KSB – 34
WK4725ES2-23KW – 34
WK4726ES2-20KSB – 35
WK4726ES2-23KSB – 35

WK4726ES2-23KSBHTP – 35
WK4726ES2-26KSBSD – 35
WK4729ES-20KSB – 34
WK4729ES-23KSB – 34

Ordering and Customer Service

Toll-free: 1-855-244-SBSB (7272)

Tech Support

Toll-free: 1-855-848-TECH (8324)

tech.support@silverbackhd.com

Cross Reference Tool

Visit our website for dynamic search
and instructional videos.



www.SilverbackHD.com

1-855-244-SBSB (7272)